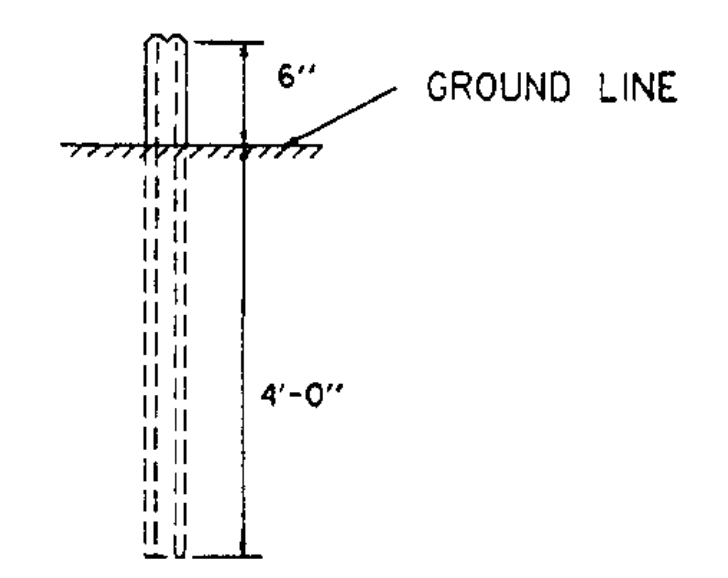
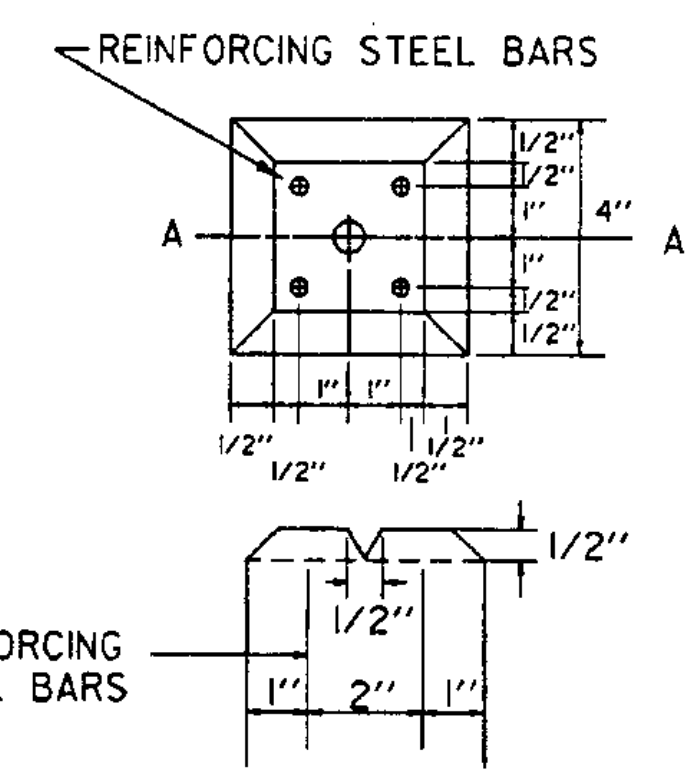
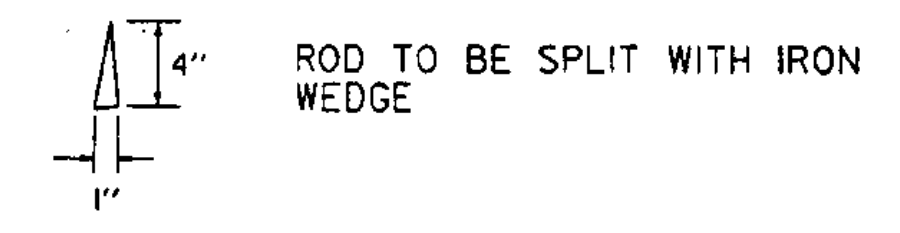
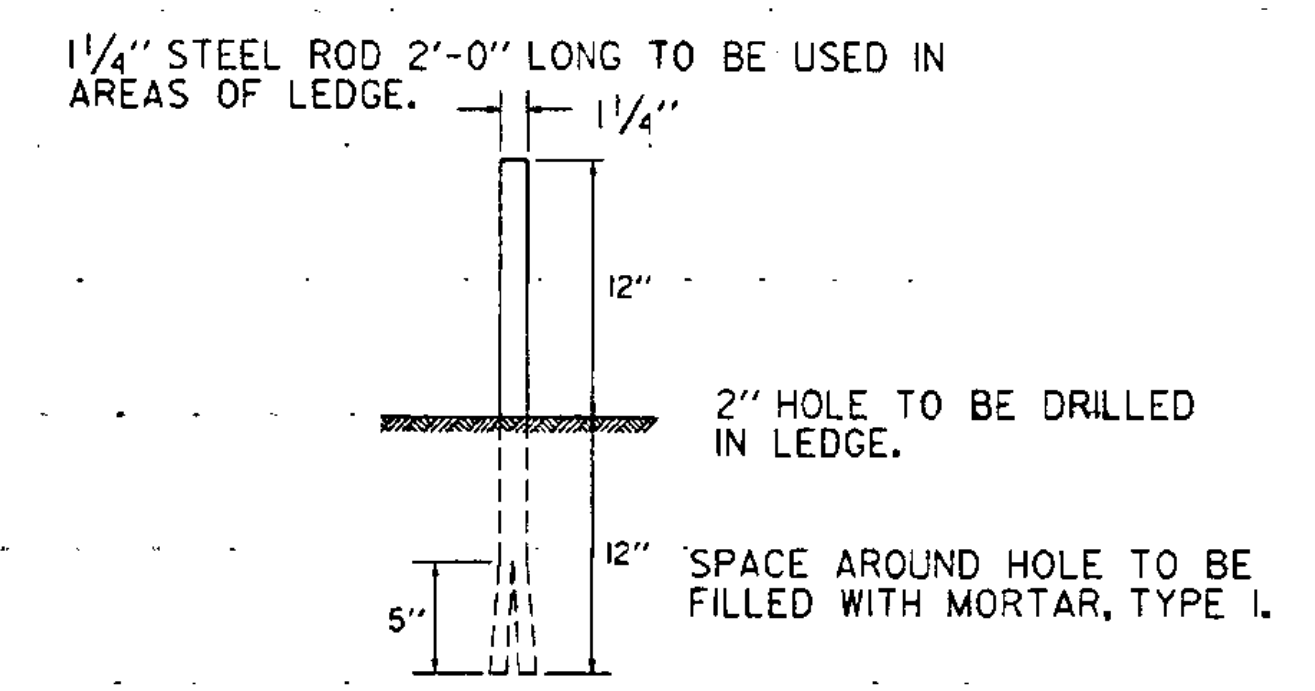


LETTERING DETAIL  
(ALL LETTERS TO BE COUNTERSUNK 1/8")  
SCALE: FULL SIZE



BOUNDARY MARKERS TO BE CONSTRUCTED OF CONCRETE CLASS A.  
4 REINFORCING STEEL BARS ARE NO. 3 DEFORMED BARS 4'-4" LONG.  
BOUNDS ARE TO BE SET WITH 6" ABOVE GROUND, OR AS DIRECTED BY THE ENGINEER.  
IN AREAS WHERE MOWING OPERATIONS ARE REQUIRED, BOUNDS SHALL BE SET FLUSH WITH THE GROUND.

BOUNDARY MARKERS

REVISIONS AND CORRECTIONS  
JUNE 27, 1980 - ORIGINAL APPROVAL  
JUNE 1, 1994 - REISSUED, WITHOUT CHANGE, UNDER NEW SIGNATURES.

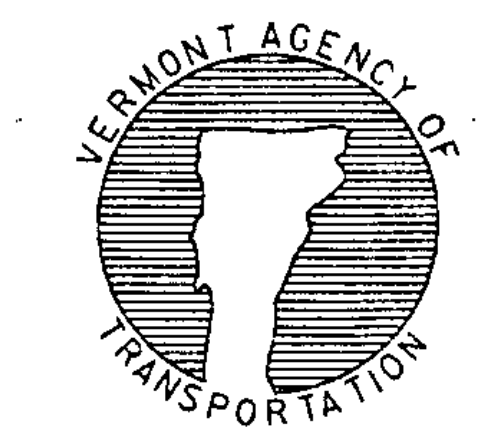
APPROVED

APPROVED FOR THIS PROJECT AND/OR DESIGN IMPLEMENTATION. FHWA FINAL APPROVAL PENDING.

*Stephen B. Van Allen, P.E.*  
DIRECTOR OF ENGINEERING

*William M. Dunphy, PE*  
DESIGN ENGINEER

BOUNDARY MARKERS



STANDARD  
J-1