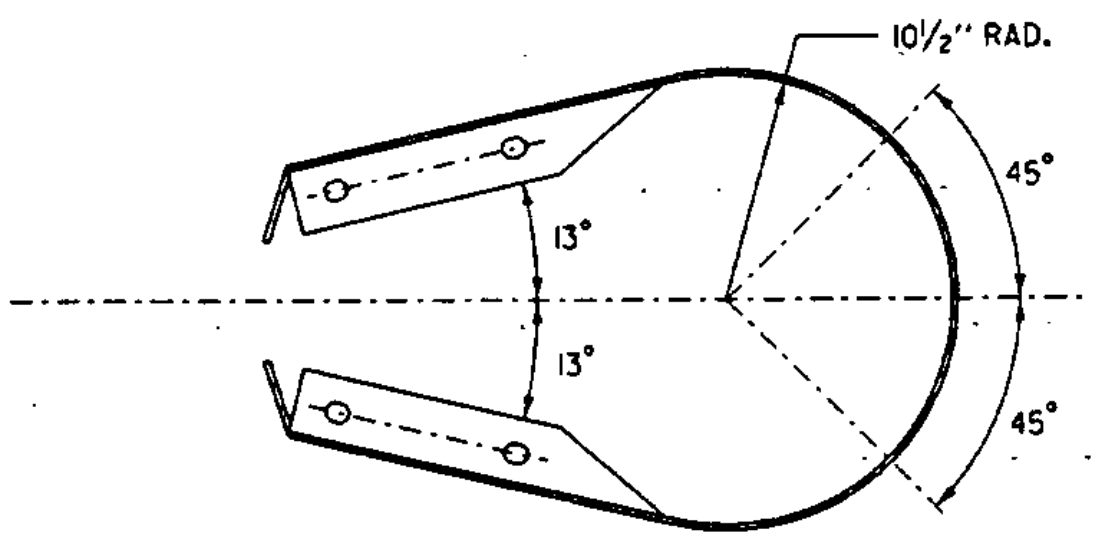
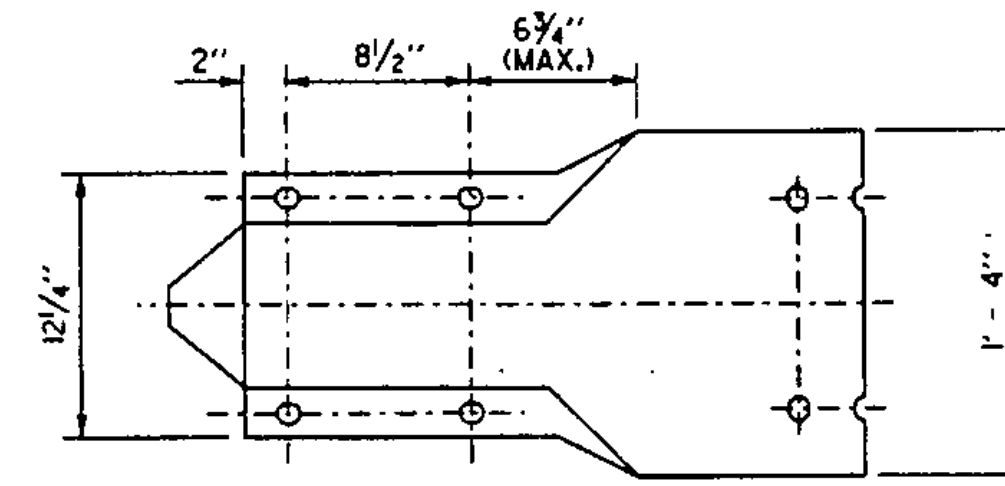


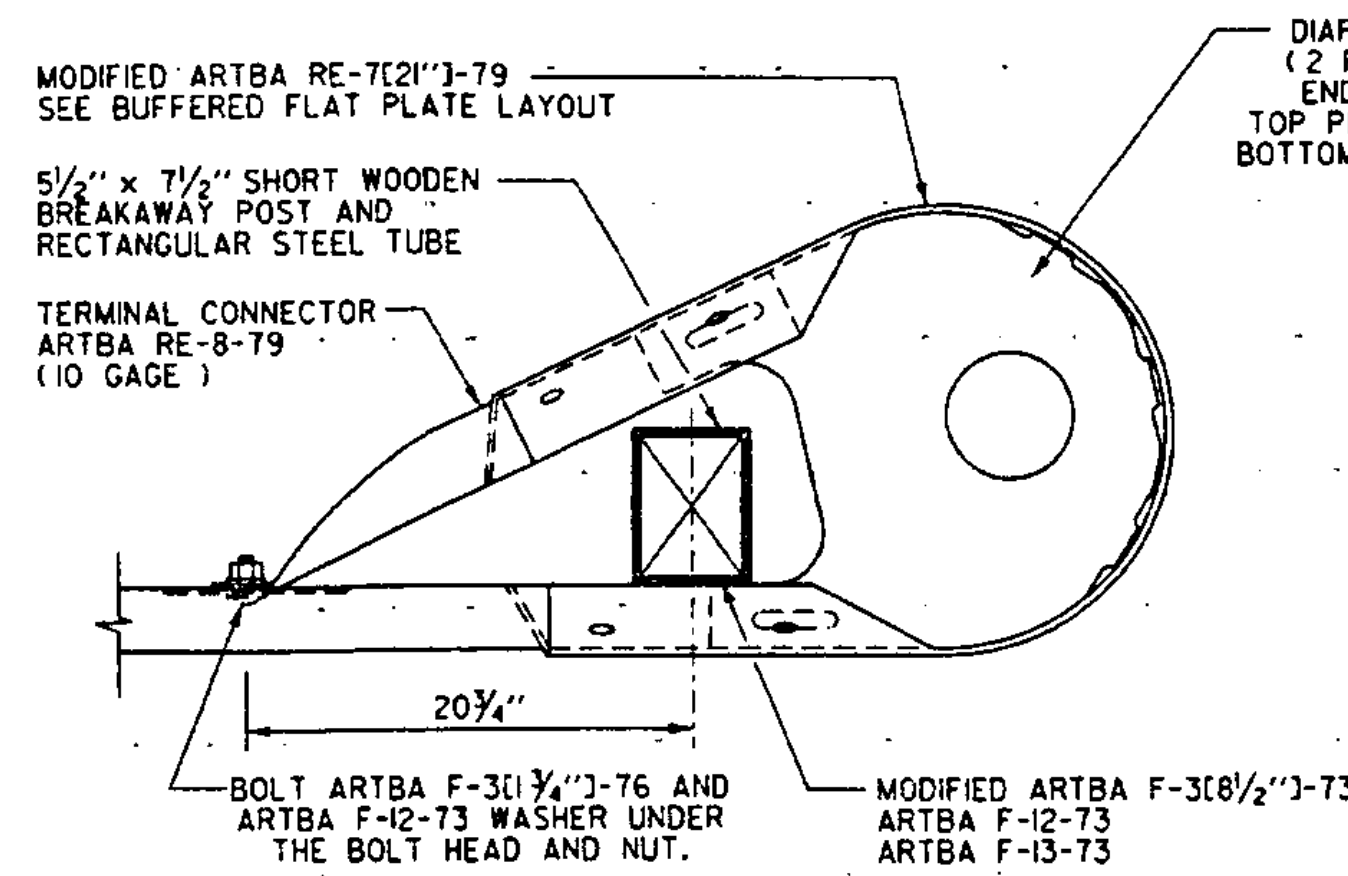
**DIAPHRAGM PLATE DETAIL**  
12 GAGE - (2 REQUIRED EACH TERMINAL)



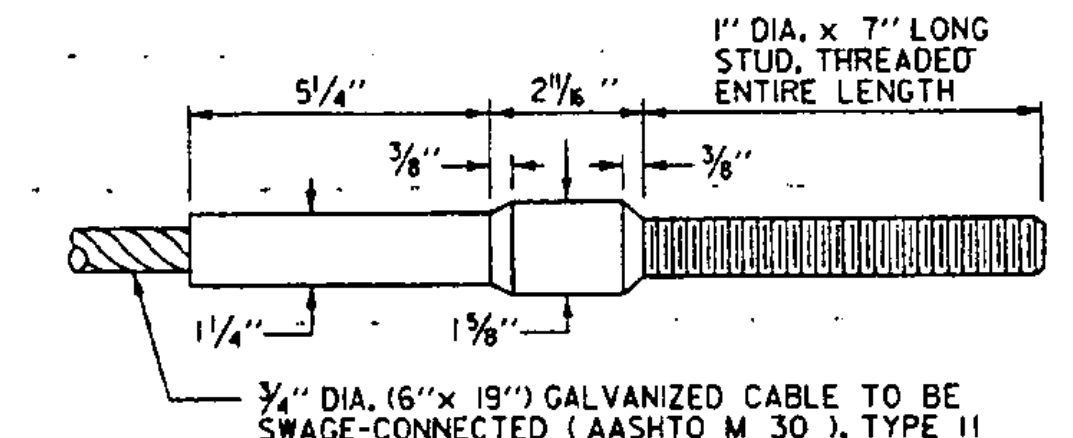
**BUFFERED END SECTION PLAN**



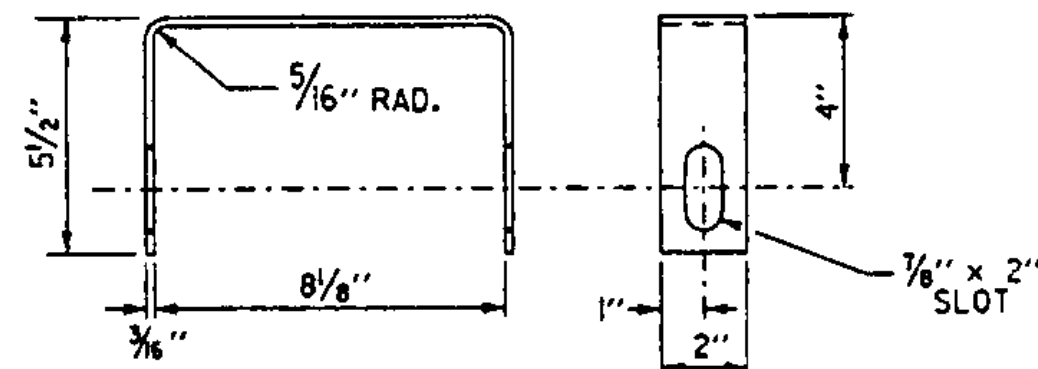
**BUFFERED END SECTION ELEVATION**



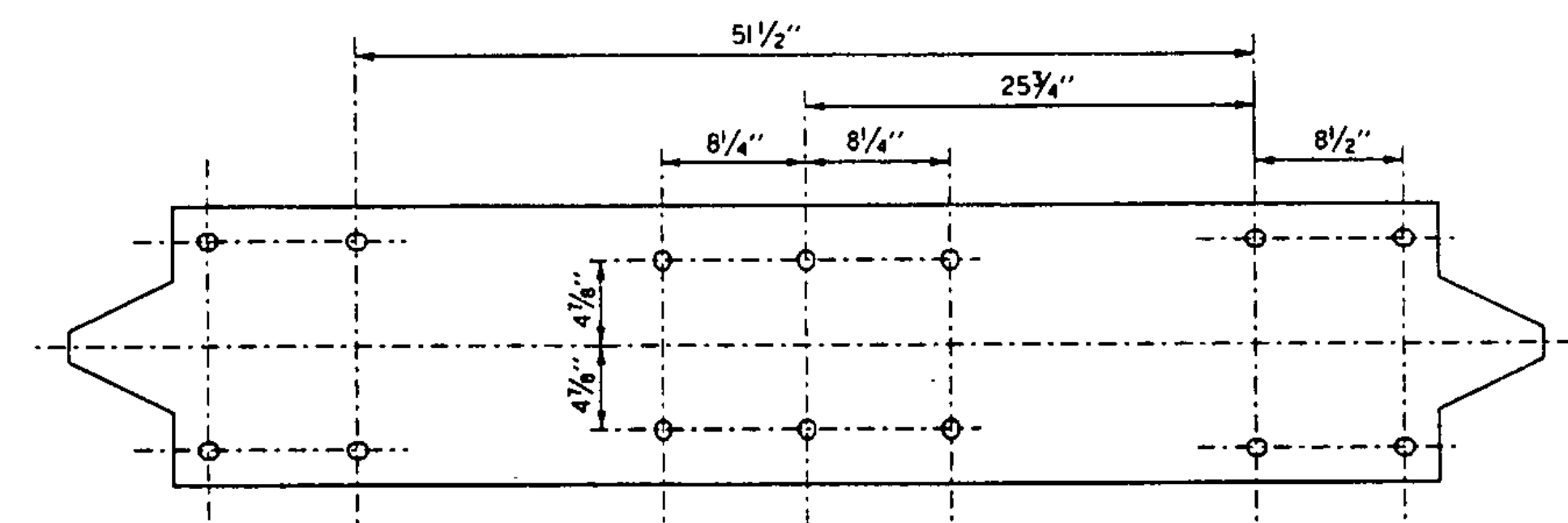
**BUFFERED END ASSEMBLY**



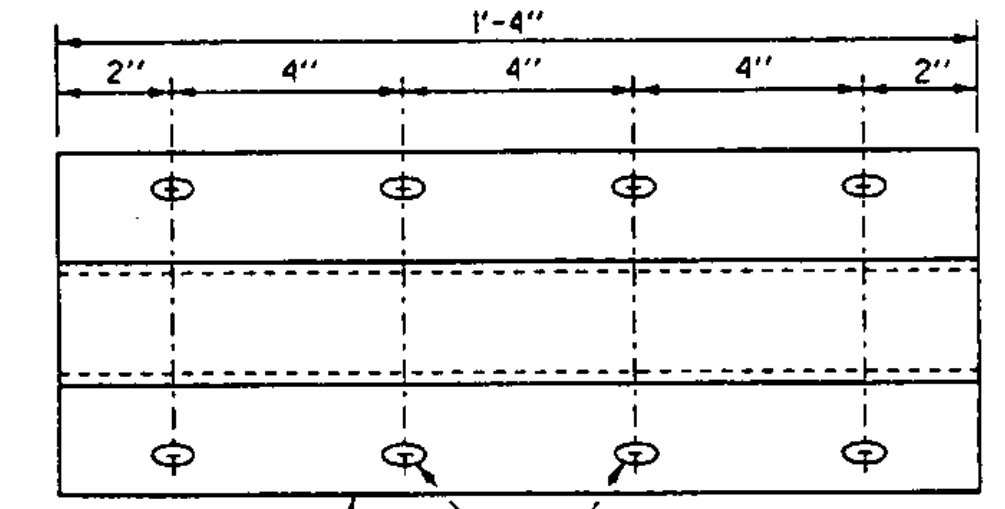
**STANDARD SWAGED FITTING AND STUD CABLE ASSEMBLY ARTBA F-37-76**



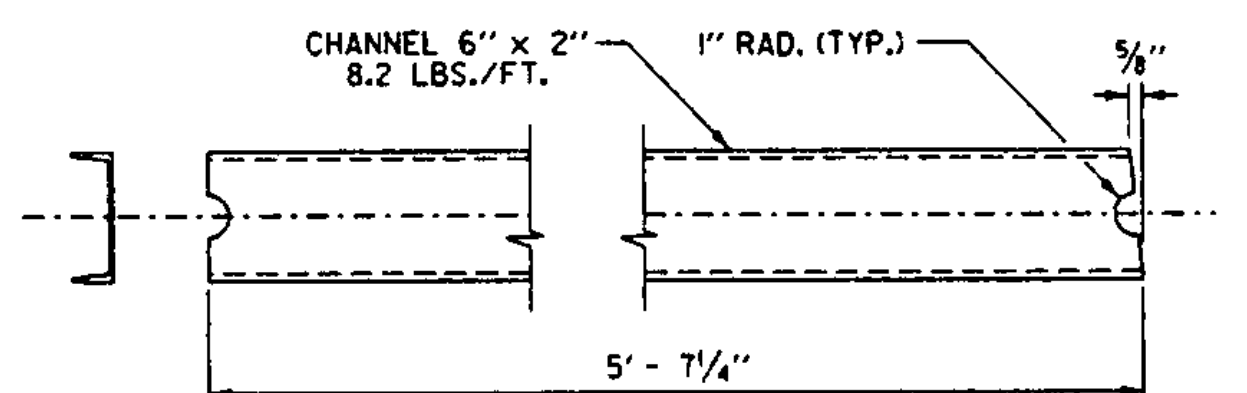
**YOKE DETAILS**



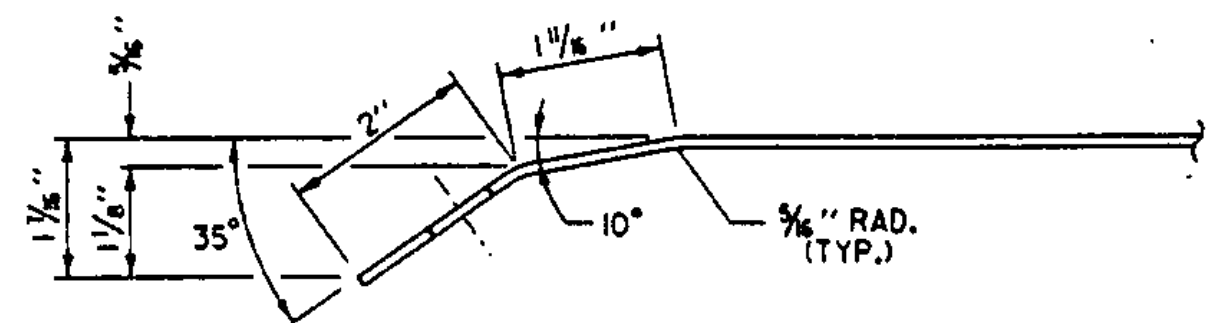
**BUFFERED END SECTION FLAT PLATE LAYOUT**  
(MODIFIED ARTBA RE-71(21)7-79)



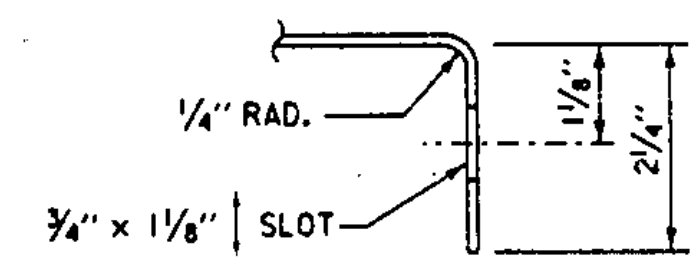
**ANCHOR PLATE ARTBA RE-71-79**



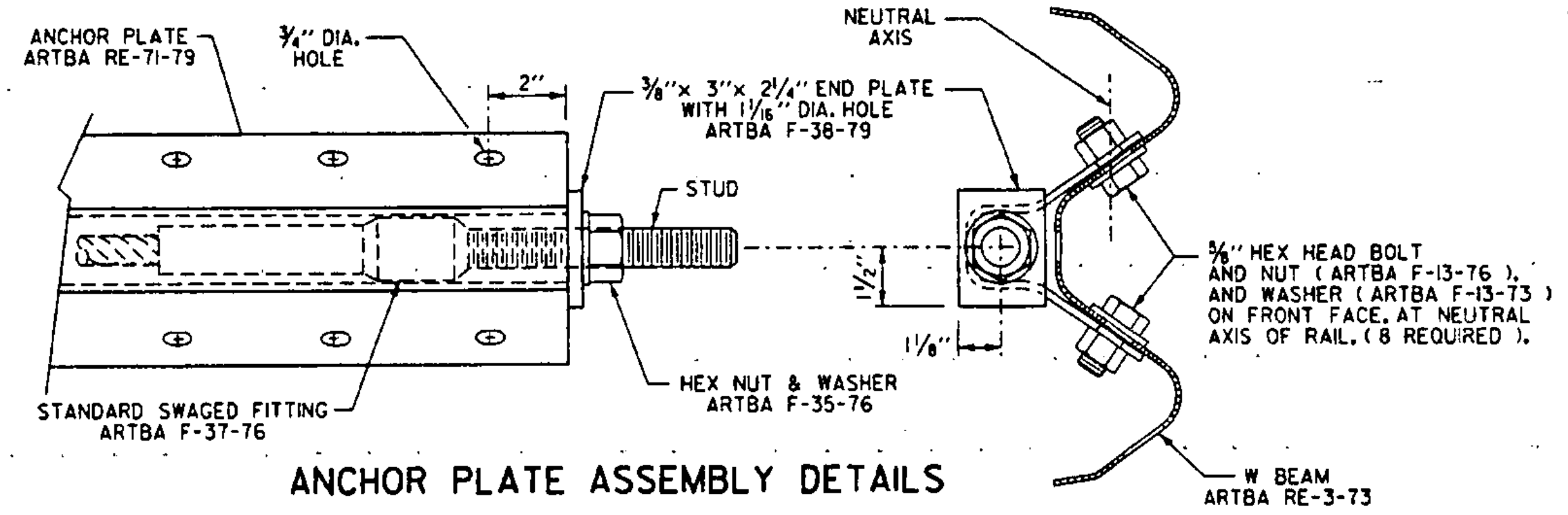
**STRUT DETAILS**



**DIAPHRAGM PLATE DETAIL SECTION B-B**



**DIAPHRAGM PLATE DETAIL SECTION C-C**



**ANCHOR PLATE ASSEMBLY DETAILS**

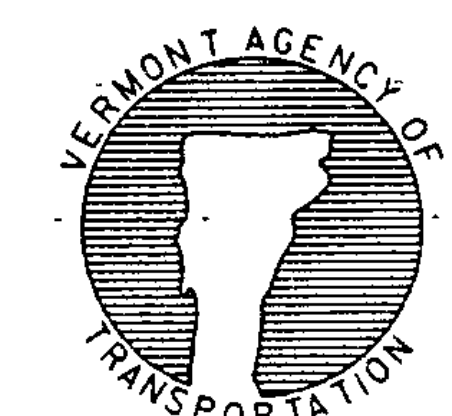


**STRUT AND YOKE ASSEMBLY**  
SHOWN LEGS DOWN, FOR OPPOSITE HAND, INSTALL LEGS UP

REVISIONS AND CORRECTIONS  
JUNE 30, 1995 ORIGINAL APPROVAL

APPROVED  
  
 DIRECTOR OF ENGINEERING  
  
 DESIGN ENGINEER

**MODIFIED ECCENTRIC LOADER TERMINAL WITH WOOD POSTS (MELT)**



**STANDARD G-17 b**