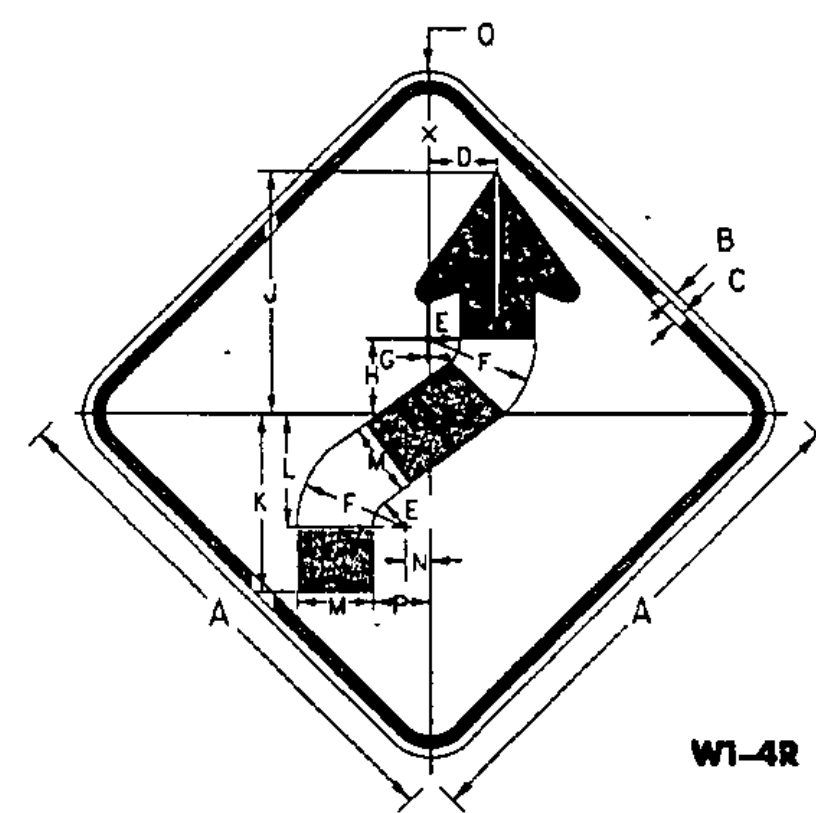


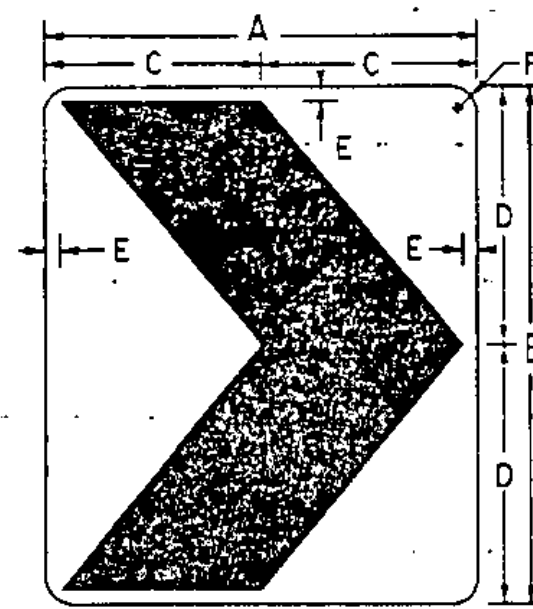
W1-3R

SIGN	DIMENSIONS (INCHES)											
	A	B	C	D	E	F	G	H	J	K	L	M
STD. & MIN.	36	5/8	7/8	17 3/4	4 7/8	5 1/4	1 1/4	3 5/8	4 1/2	12 5/8	1 3/8	2 1/4
SPECIAL	48	3/4	1 1/4	23 3/4	5 5/8	7	1 5/8	4 3/8	6	16 3/8	2 3/8	3



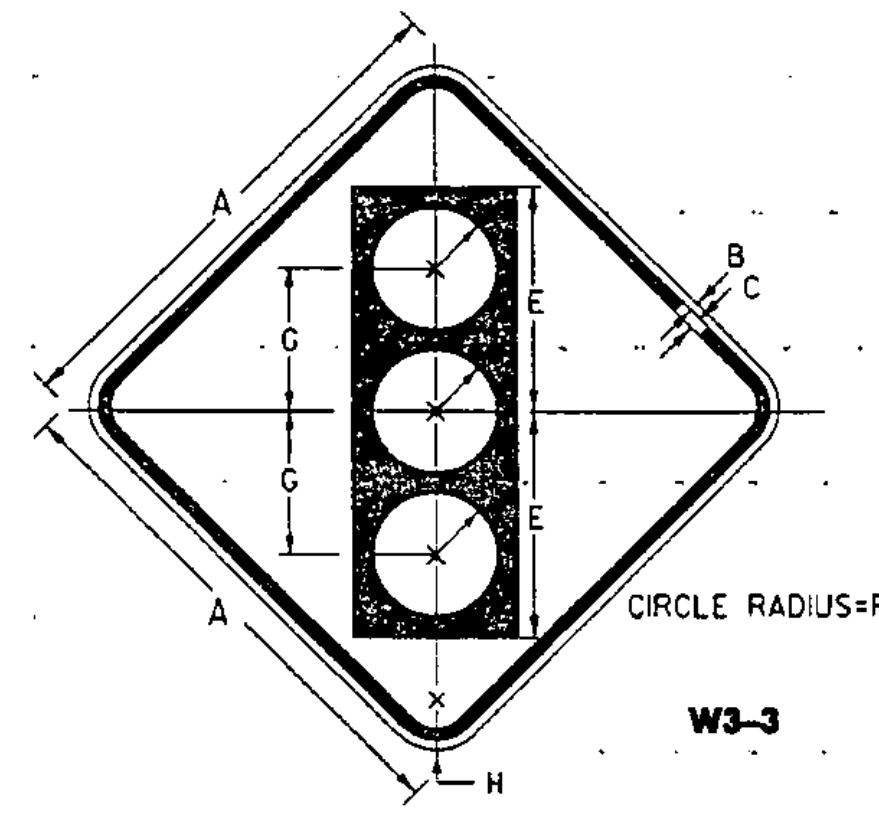
W1-4R

SIGN	DIMENSIONS (INCHES)														
	A	B	C	D	E	F	G	H	J	K	L	M	N	P	Q
STD. & MIN.	36	5/8	7/8	4 1/2	2 1/4	7 1/2	5/2	5 1/4	16 7/8	12 3/4	7 1/8	5 1/4	1 1/8	3 3/8	2 1/4
SPECIAL	48	3/4	1 1/4	6 3/8	3	10	3/8	7	22 1/2	16 1/2	10 1/2	7	2 1/4	5 1/4	3



W1-8

SIGN	DIMENSIONS (INCHES)					
	A	B	C	D	E	F
STD.	18	24	9	12	3/4	1 1/2
SPECIAL	24	30	12	15	1	1 1/2
EXPWY.	30	36	15	18	1 1/4	2
FRWY.	36	48	18	24	1 1/8	2 1/4

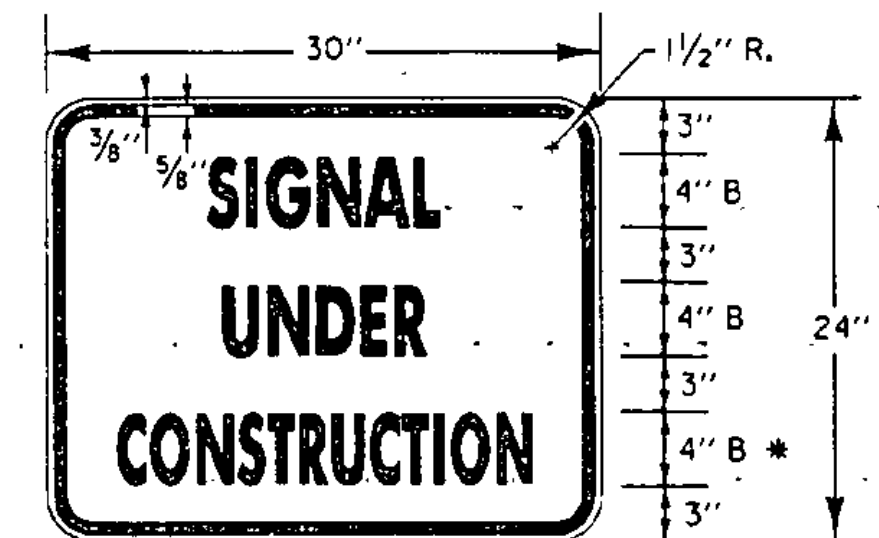


W3-3

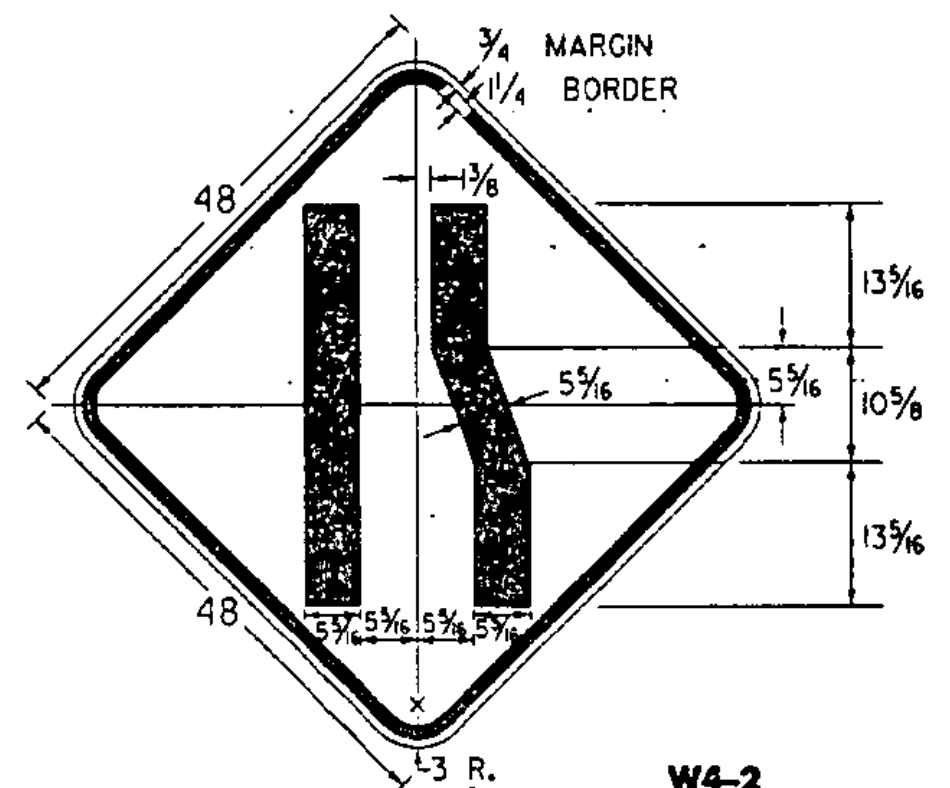
SIGN	DIMENSIONS (INCHES)							
	A	B	C	D	E	F	G	H
STD. & MIN.	36	5/8	7/8	5 3/4	15 3/4	4 1/4	10	2 1/4
SPECIAL	48	3/4	1 1/4	7 1/2	20	5	12 1/2	3

COLORS

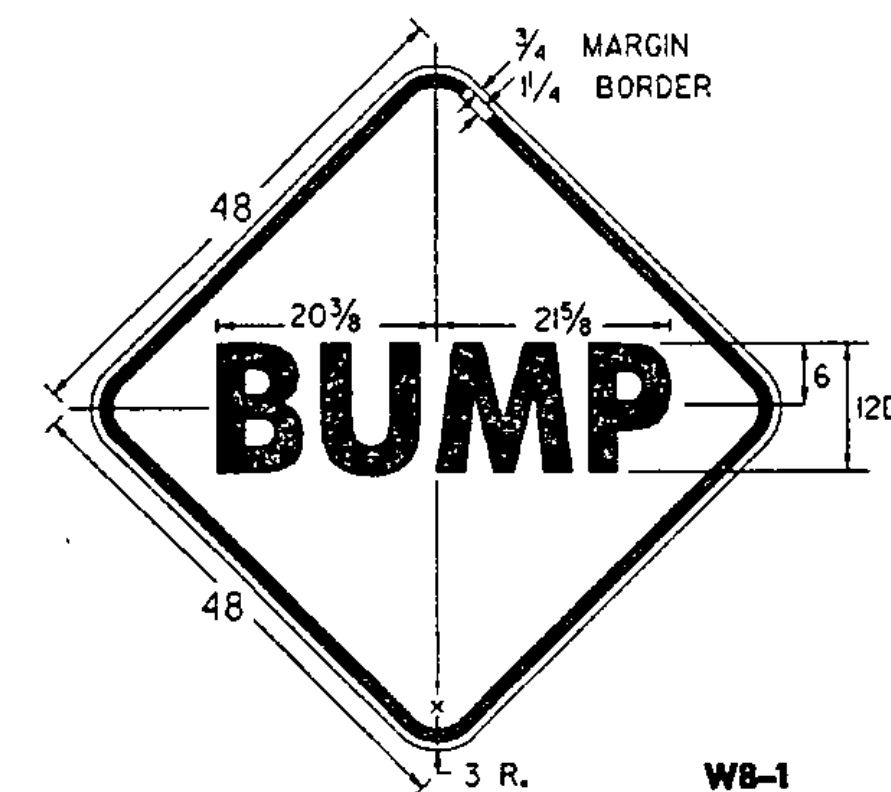
SYMBOL & LEGEND - BLACK (NON-REFL)
 BACKGROUND - ORANGE (REFL)
 TOP CIRCLE RED (REFL)
 MIDDLE CIRCLE YELLOW (REFL)
 BOTTOM CIRCLE GREEN (REFL)



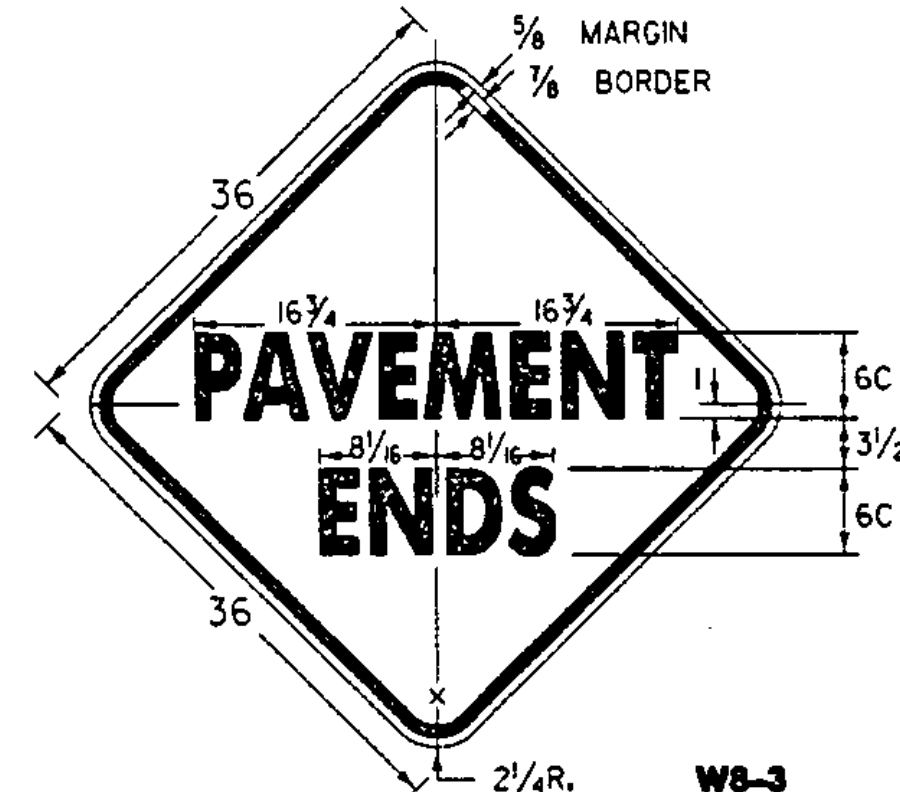
* REDUCE SPACING 50%



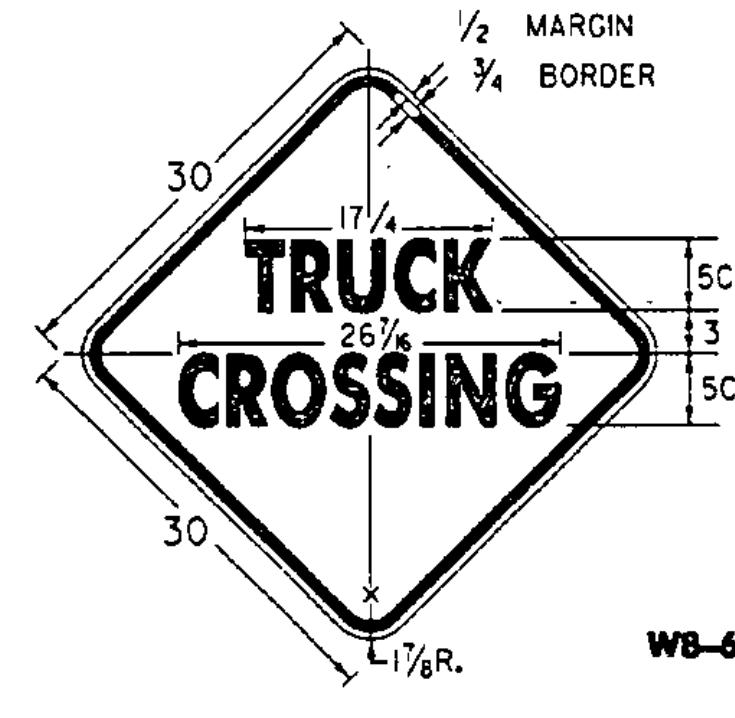
W4-2



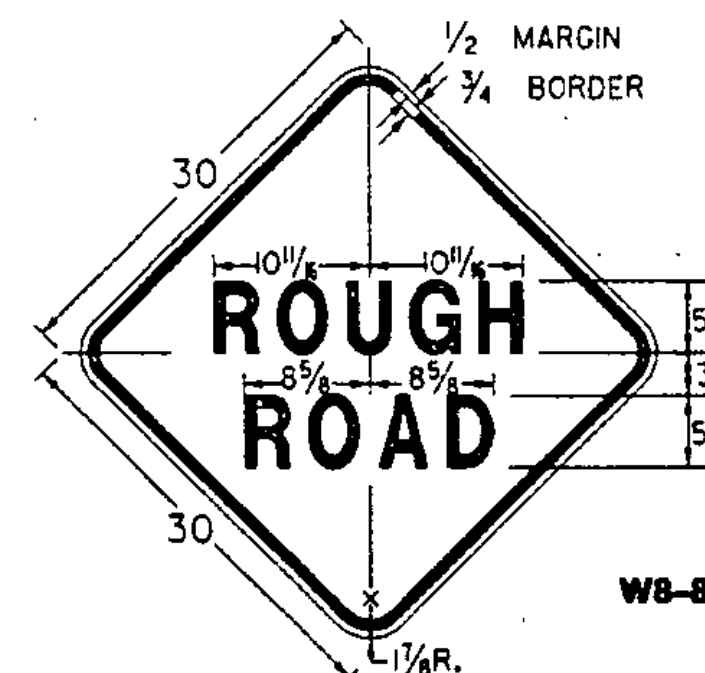
W8-1



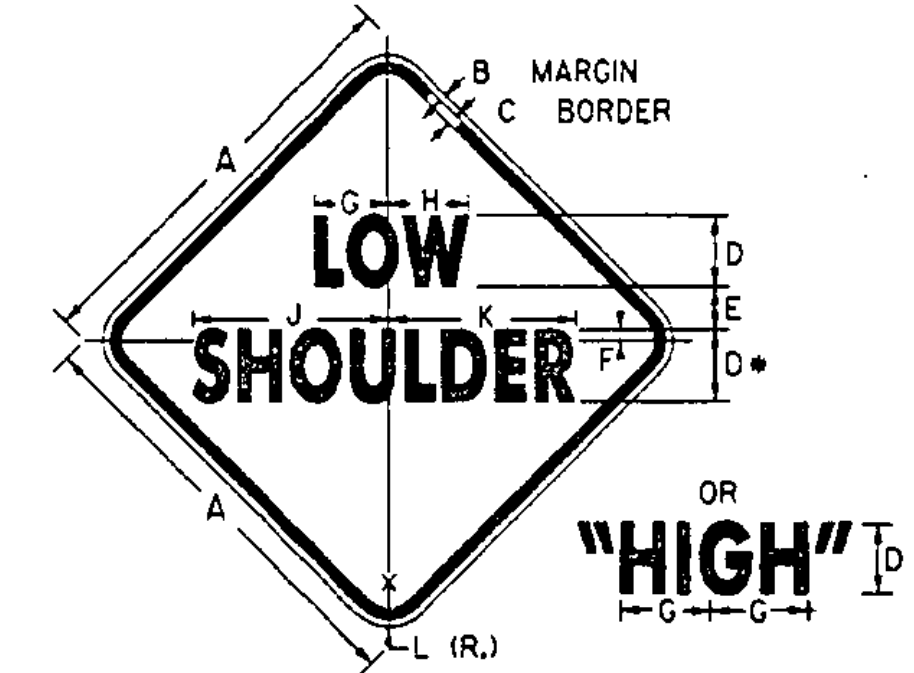
W8-3



W8-6



W8-8



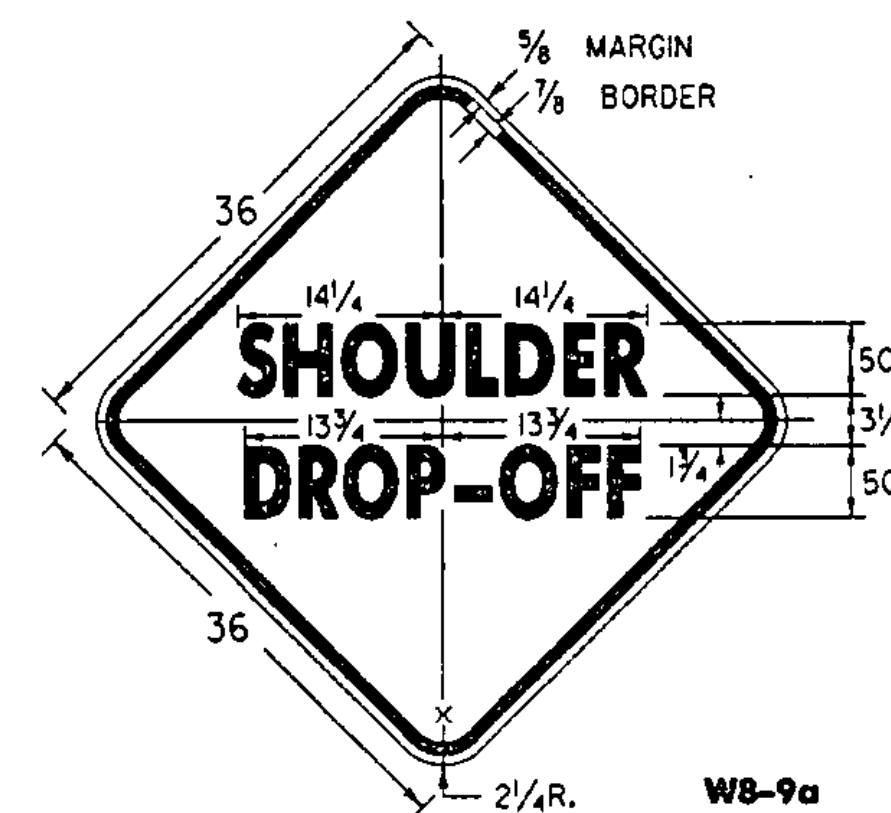
W8-9

SIGN	DIMENSIONS (INCHES)										
	A	B	C	D	E	F	G	H	J	K	L
STD.	30	1 1/2	3/4	5C	3 3/4	5 3/8	5 3/8	13 3/8	13 3/8	1 1/2	3
FWY.	48	1 3/4	1 1/4	5C	5 1/2	8 1/4	9	2 1/4	20 3/4	2 1/4	3

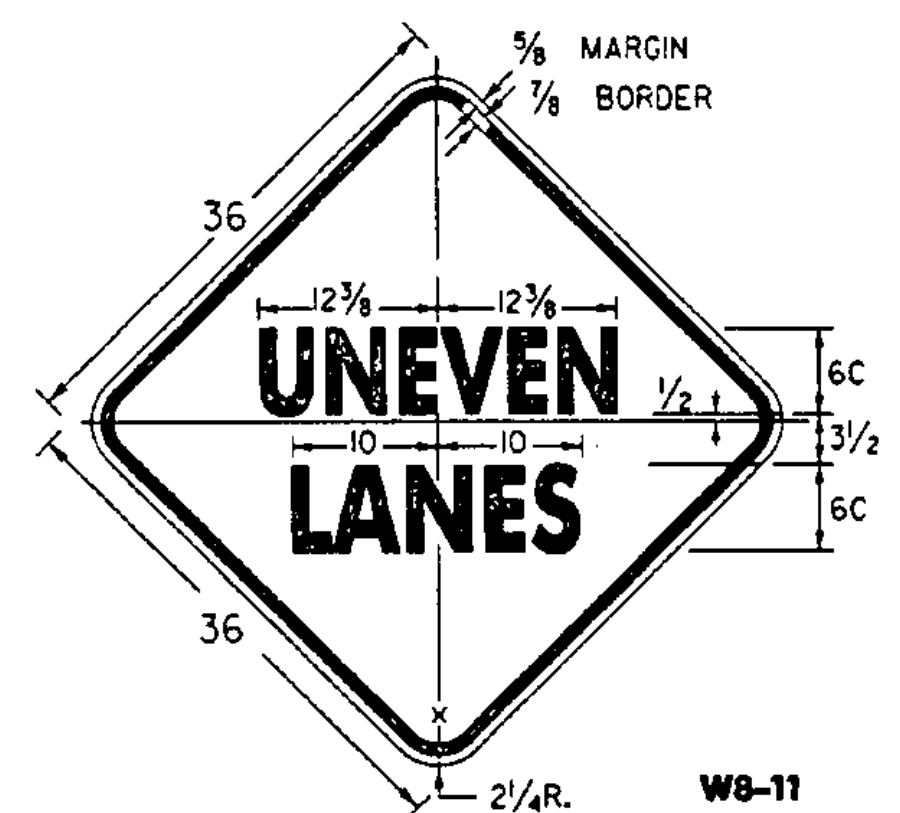
* REDUCE SPACING 25%

NOTES

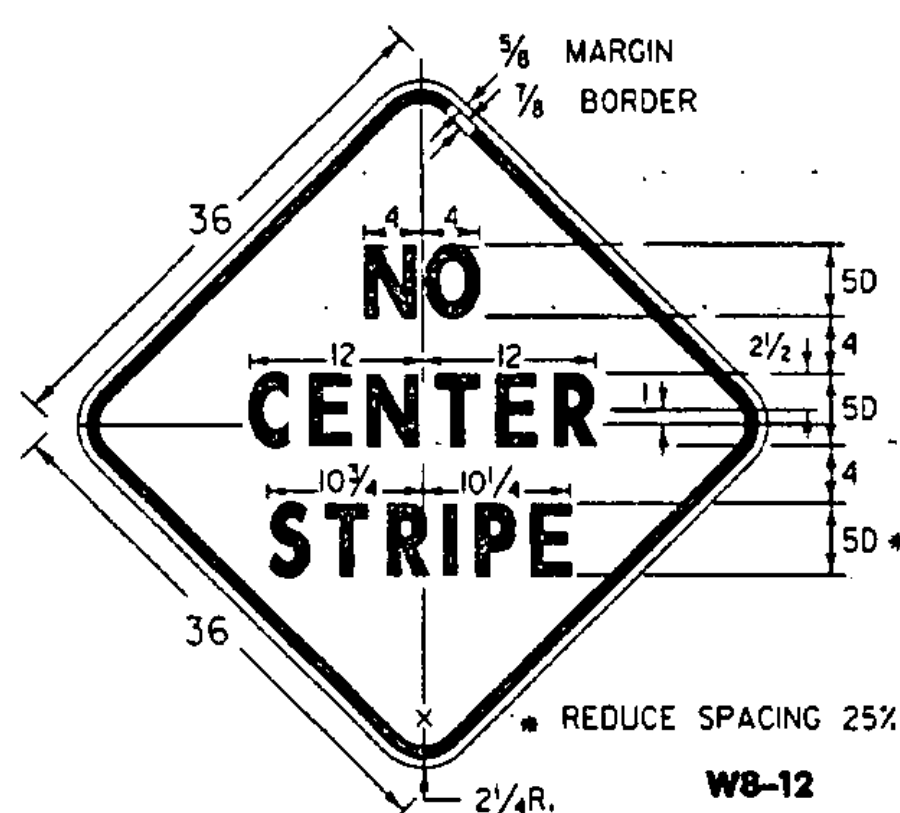
SEE STANDARD SHEET E-100 FOR NOTES AND TEXT DETAILS
 COLORS FOR SIGNS SHOWN ON THIS SHEET SHALL BE BLACK TEXT, BORDER AND SYMBOLS ON A REFLECTORIZED TYPE IIB OR TYPE III ORANGE BACKGROUND, UNLESS OTHERWISE NOTED.
 SIGNS USED ONLY FOR DAYTIME MAINTENANCE OPERATIONS DO NOT NEED TO BE REFLECTORIZED, HOWEVER, THESE SIGNS SHALL BE LABELED "DAYTIME USE ONLY" ON THE BACK OF THE SIGN PANEL WITH 3" SERIES C LETTERS.



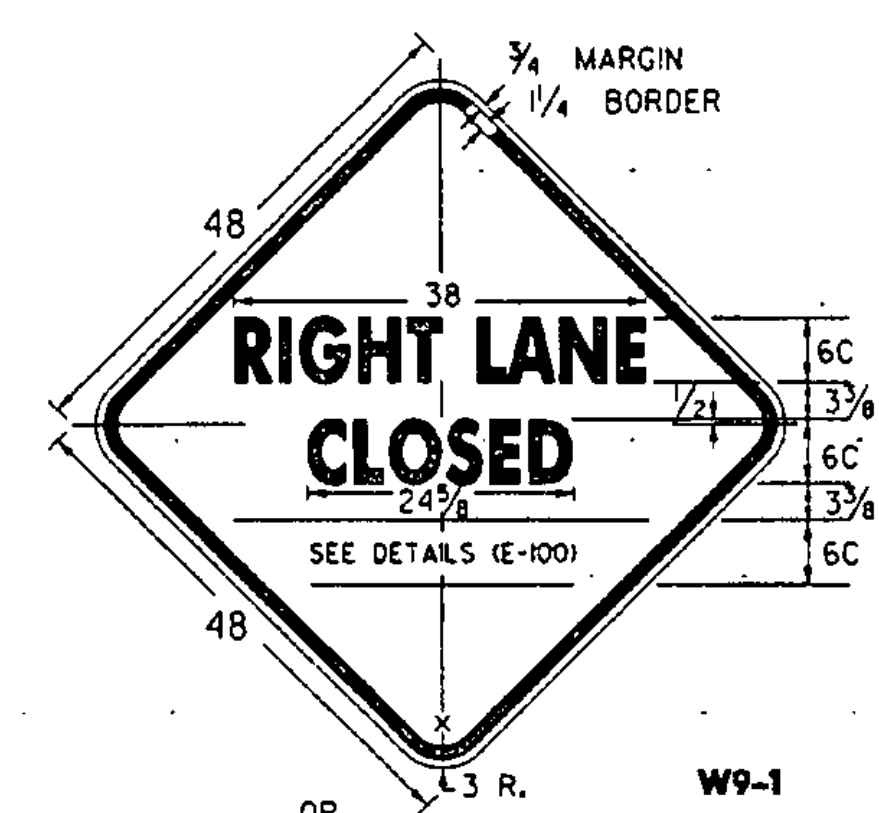
W8-9a



W8-11



W8-12



W9-1

(ALL DIMENSIONS SHOWN IN INCHES) LEFT LANE

REVISIONS AND CORRECTIONS

OCT. 30, 1987 - DATE OF ORIGINAL ISSUE
 OCT. 21, 1992 - ADDED ADDITIONAL SIGN DIMENSIONS, REVISED CHEVRON BACKGROUND TO ORANGE, & REVISED TITLE BLOCK
 AUG. 08, 1995 - ADDED AND DELETED VARIOUS SIGN DETAILS

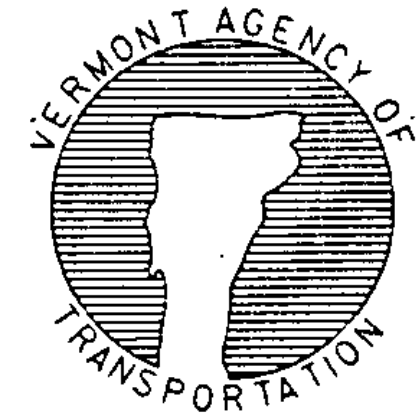
APPROVED

Stephen D. McAllen
 DIRECTOR OF ENGINEERING

Paul A. Ross
 TRAFFIC AND SAFETY ENGINEER

CONSTRUCTION SIGN DETAILS

OTHER STDS. E-100 REQUIRED:



STANDARD E-101

APPROVED FOR THIS PROJECT AND/OR DESIGN IMPLEMENTATION. FHWA FINAL APPROVAL PENDING.

/traf/std/stcel01.dgn : stdel01.l