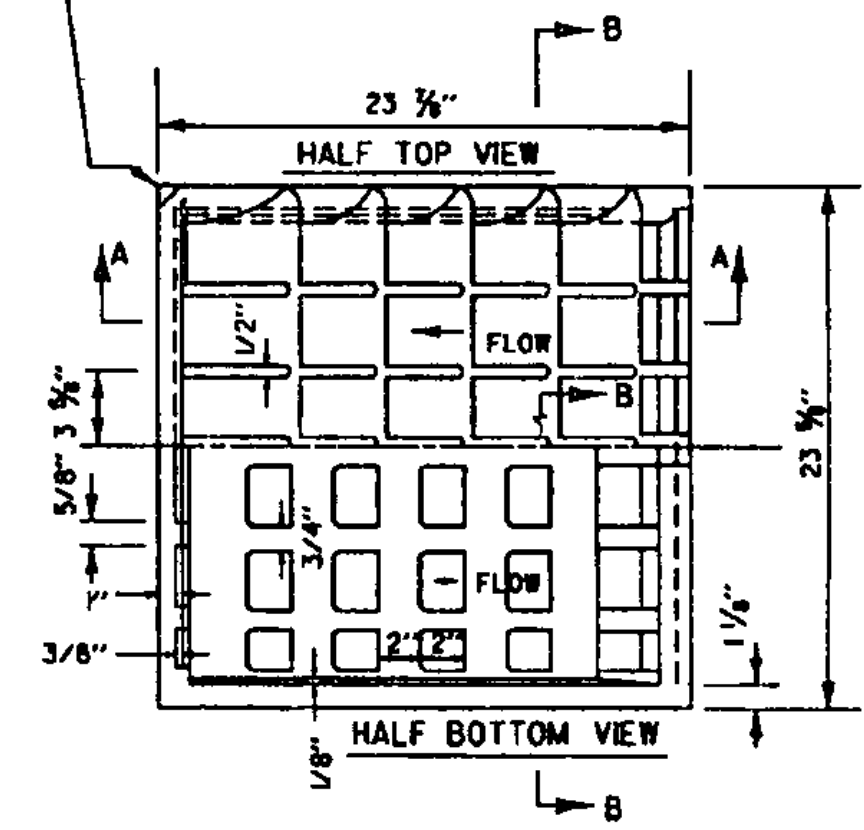
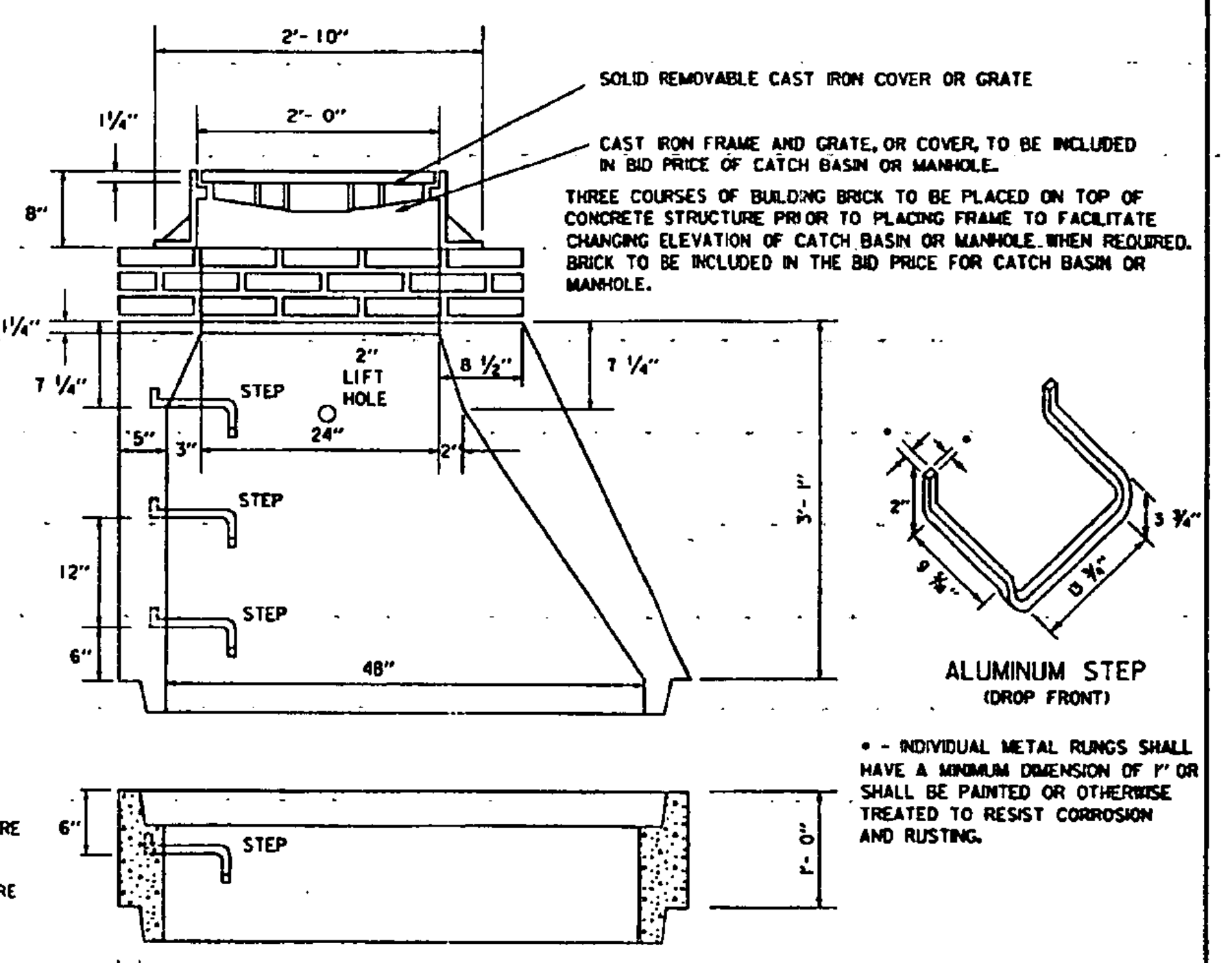
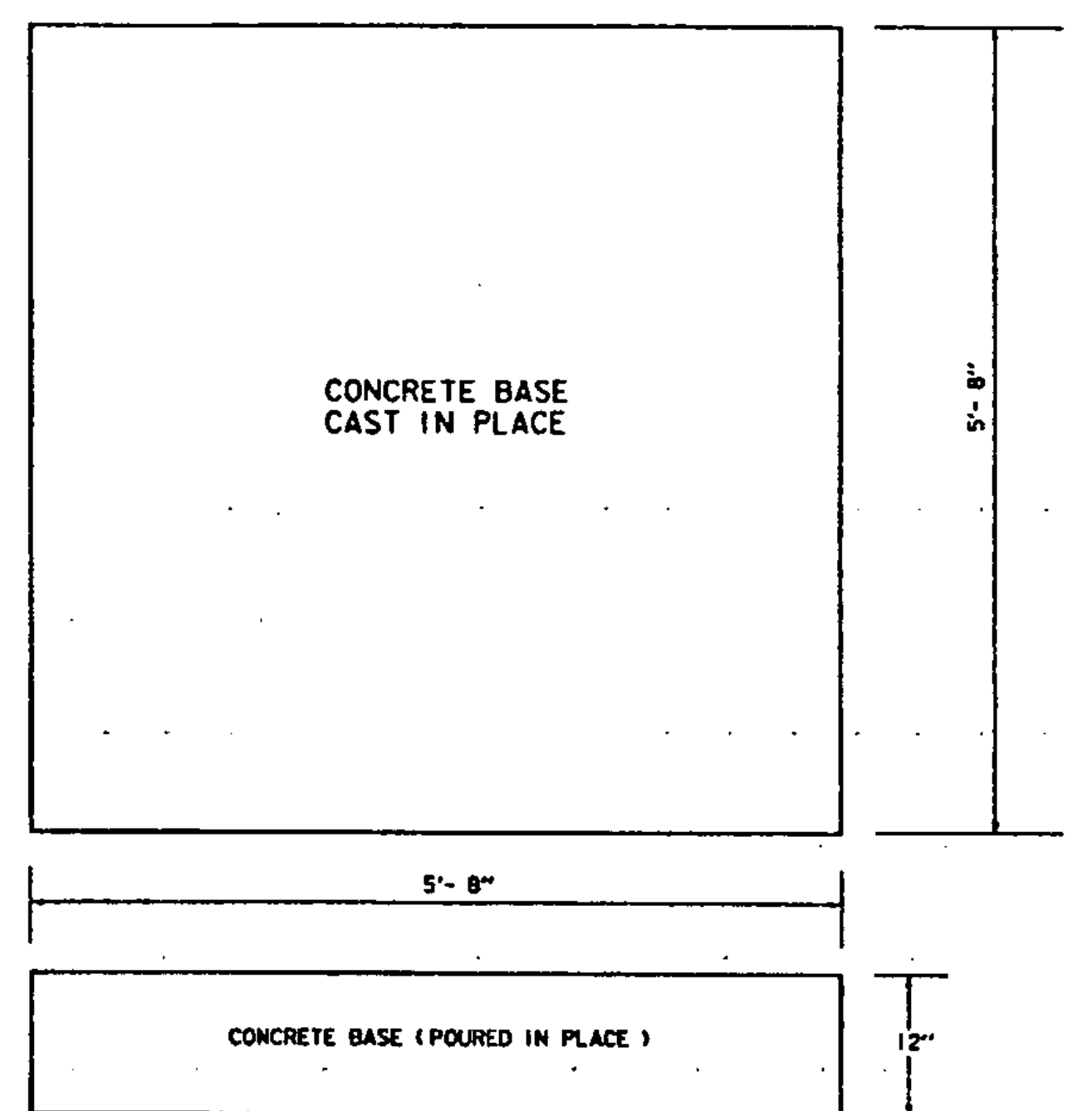
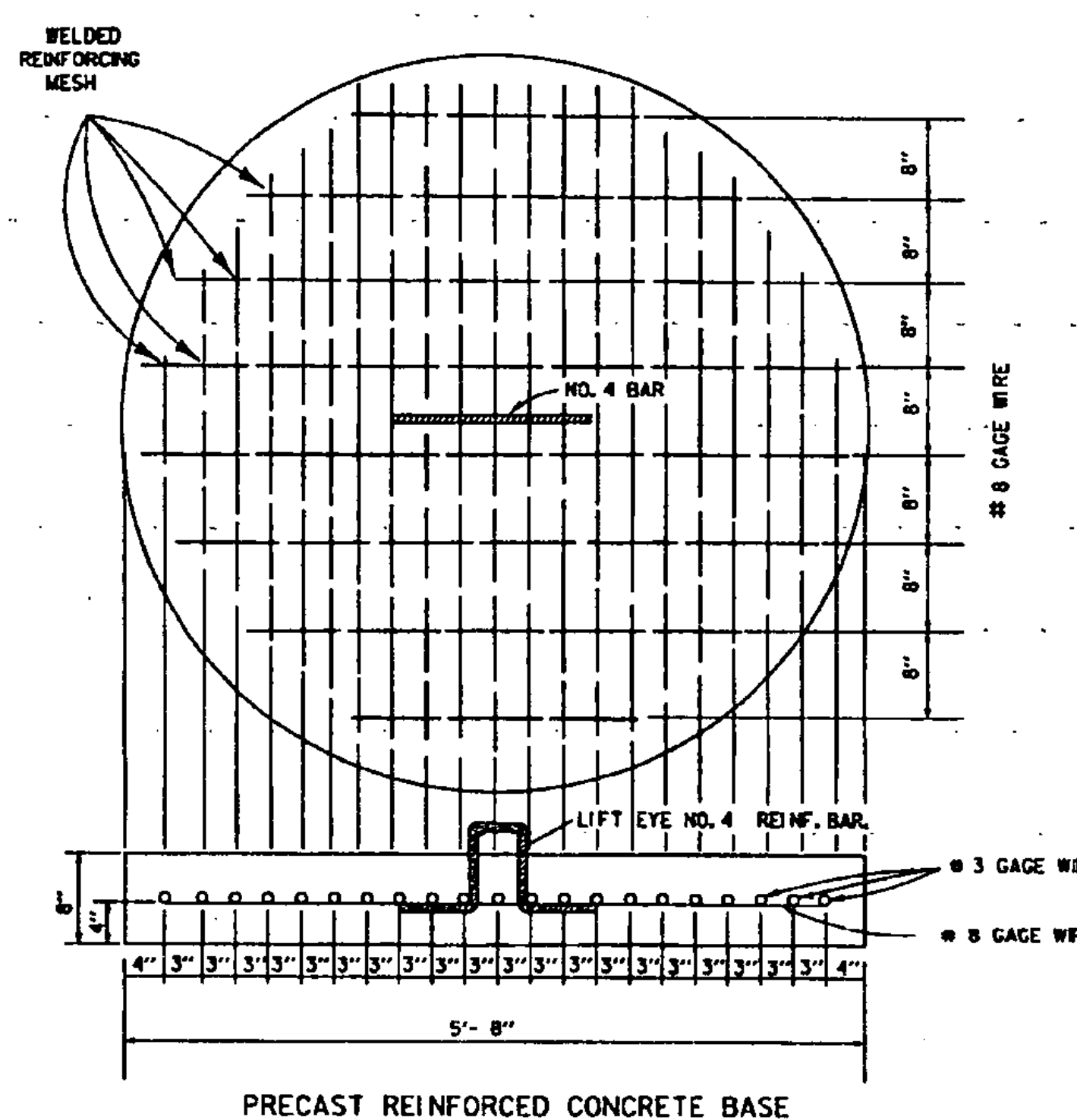
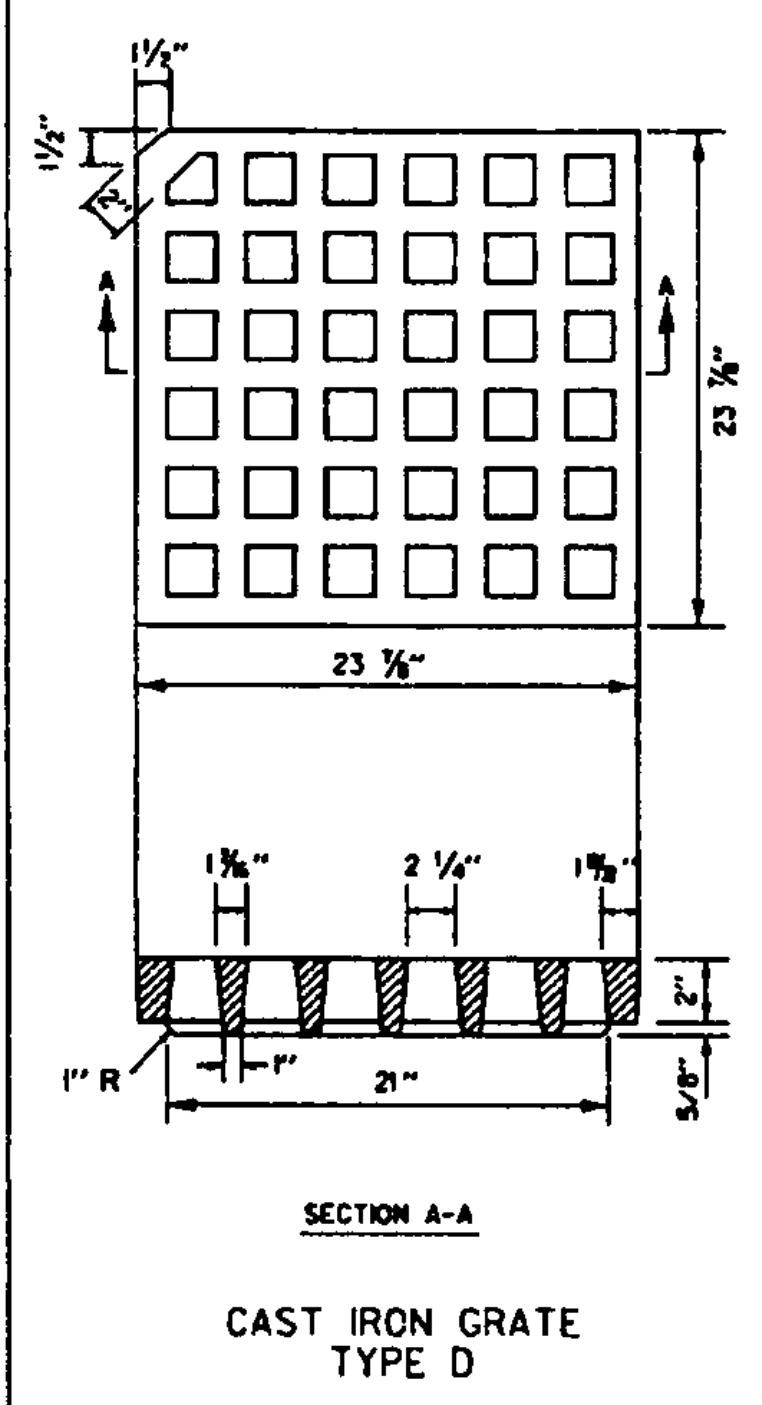
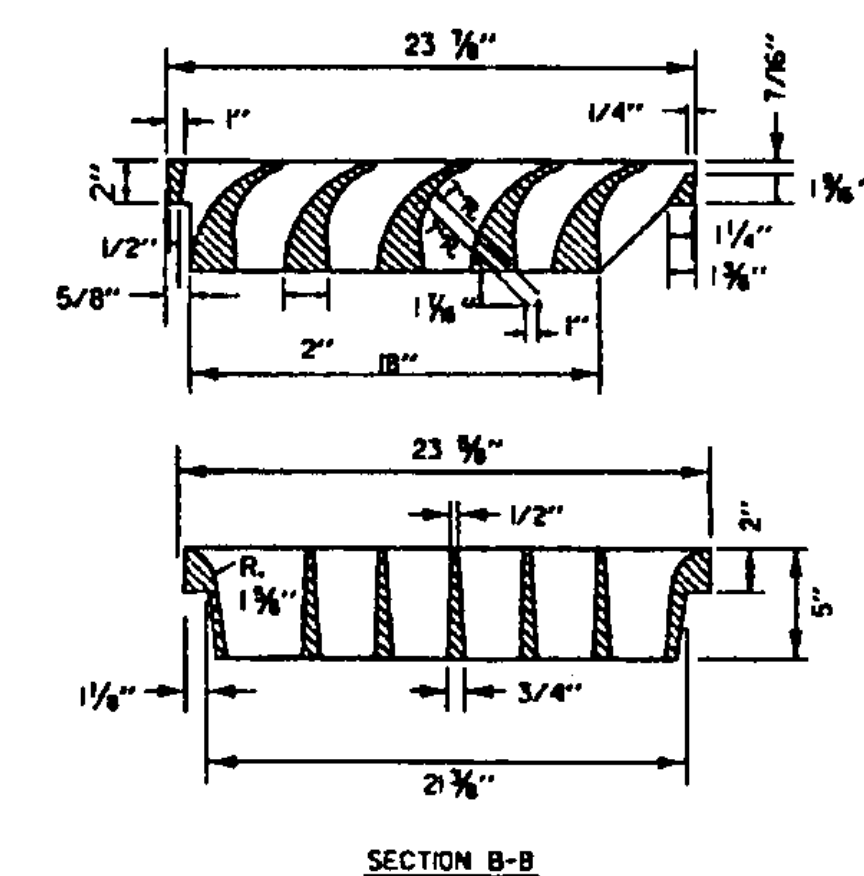
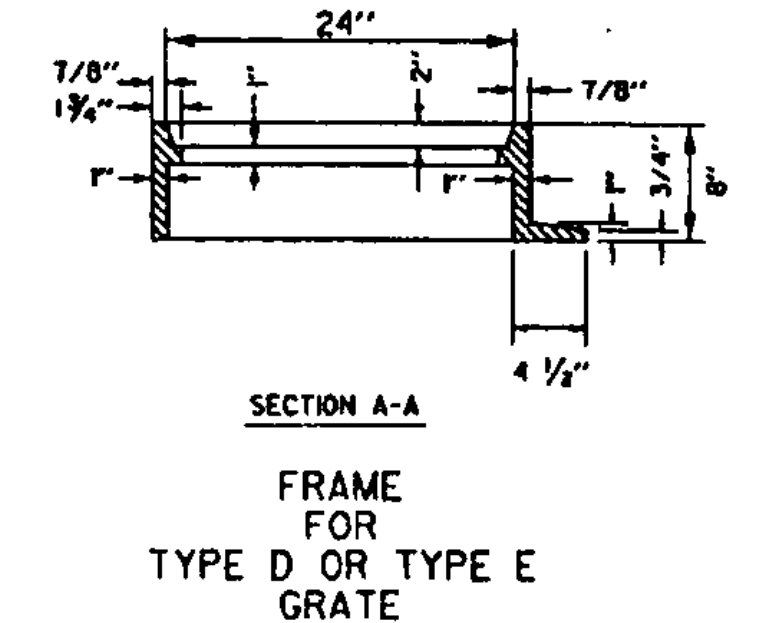
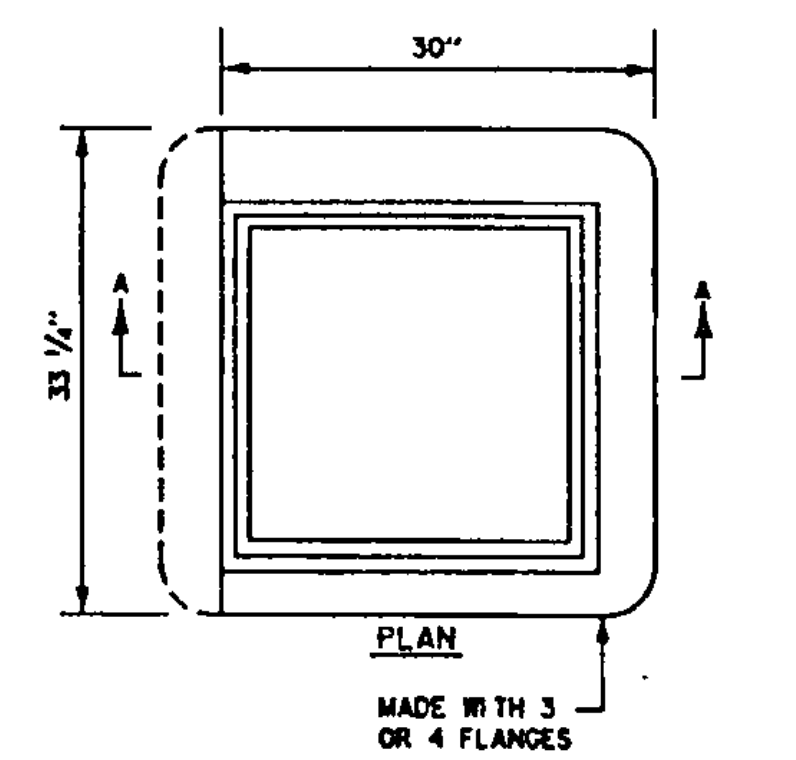


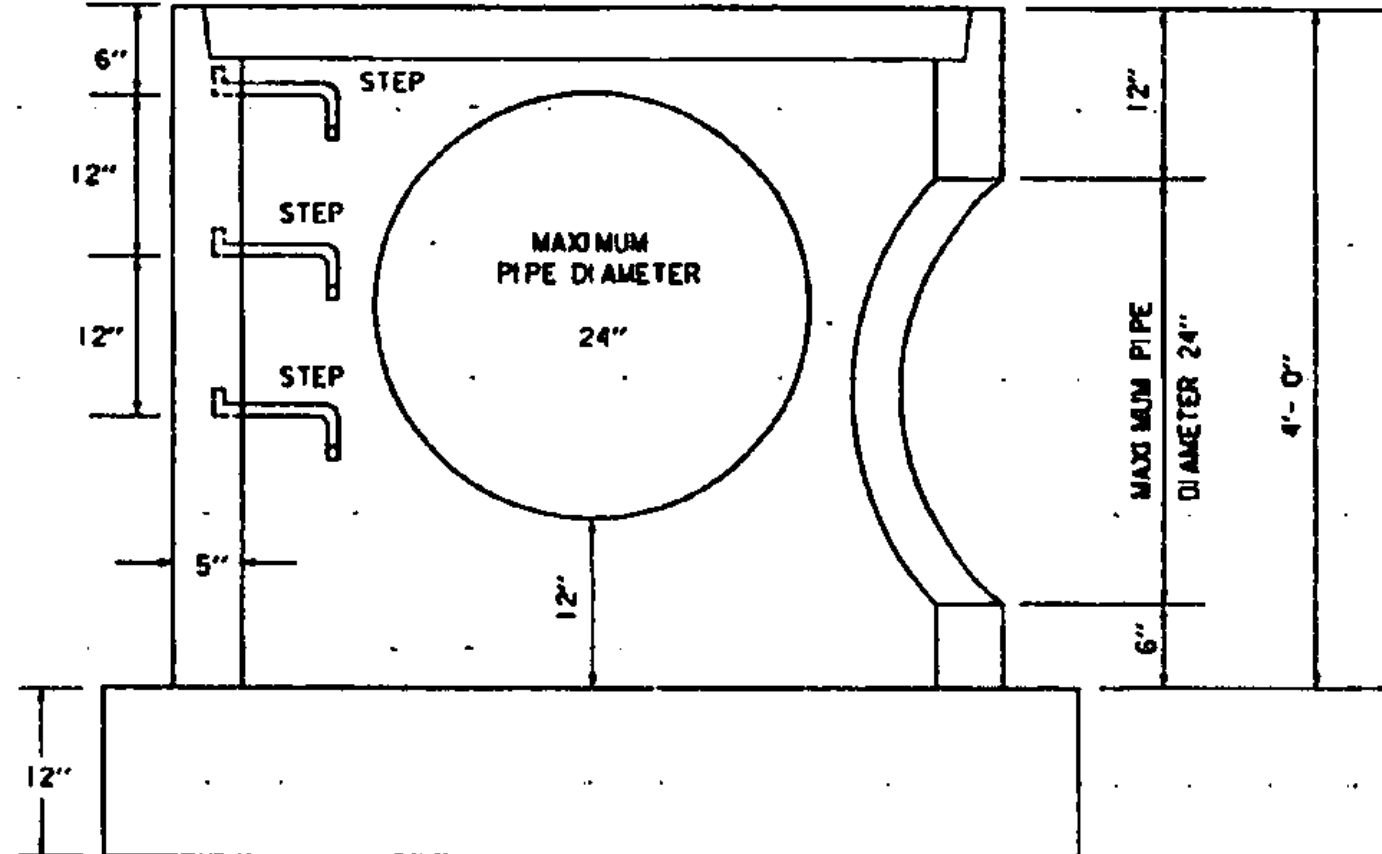
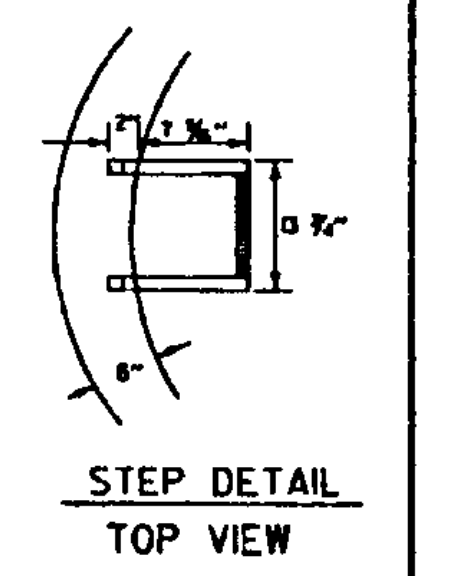
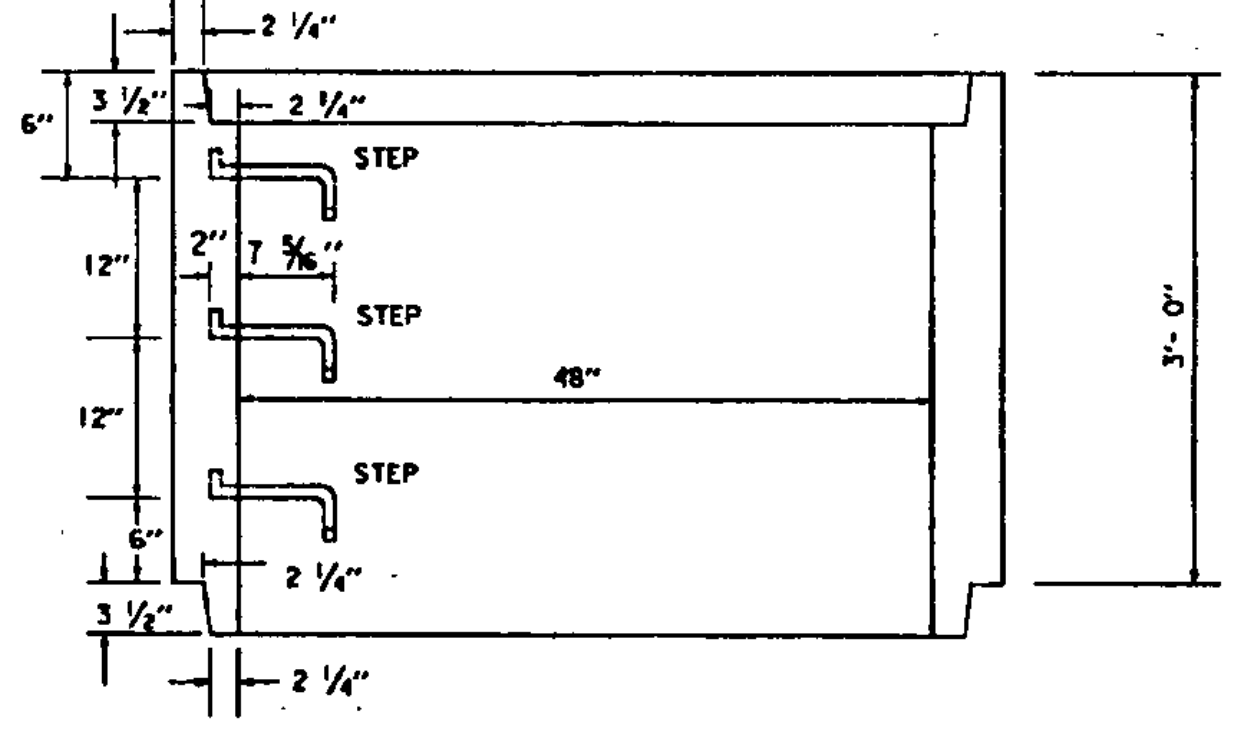
THIS CORNER LEFT OFF FOR "RIGHT" GRATE, DIAG. OPPOSITE CORNER FOR "LEFT" GRATE, TO FIT IN KEYED FRAMES.



NOTE: THIS FRAME TO BE PLACED IN DROP INLET TOP BEFORE CONCRETE IS POURED. 4 FLANGES UNLESS OTHERWISE INDICATED. FRAMES TO BE FURNISHED WITH 3 FLANGES WHEN USED IN CONJUNCTION WITH CURB OR AS DIRECTED BY THE ENGINEER.



INDIVIDUAL METAL RUNGS SHALL HAVE A MINIMUM DIMENSION OF 1" OR SHALL BE PAINTED OR OTHERWISE TREATED TO RESIST CORROSION AND RUSTING.



REVISIONS AND CORRECTIONS

DEC. 6, 1971 - ORIGINAL APPROVAL

OCT. 22, 1976 - CAST IRON GRATE WITH FRAME, TYPE E ADDED

OCT. 6, 1978 - TYPE D GRATE ADDED

OCT. 30, 1985 - IMPERFECT TRENCH DETAILS DELETED

FEB. 17, 1993 - SECOND CAST IRON GRATE TYPE E ADDED.

MAR. 23, 1994 - ADDED NOTE FOR STEP DETAILS

JUNE 1, 1994 - REISSUED, WITHOUT CHANGE, UNDER NEW SIGNATURES.

APPROVED

APPROVED FOR THIS PROJECT AND/OR DESIGN IMPLEMENTATION. FINAL APPROVAL PENDING.

Robert M. Dwyer
DIRECTOR OF ENGINEERING

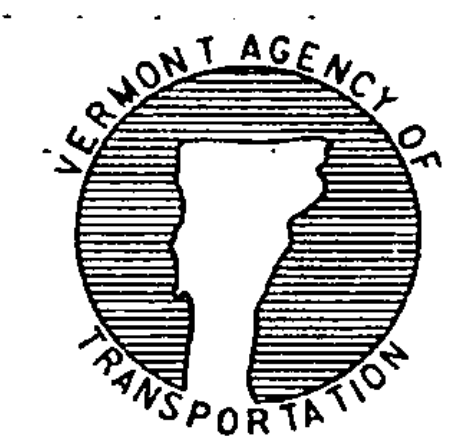
Robert M. Dwyer
DESIGN ENGINEER

PRECAST REINFORCED CONCRETE CATCH BASIN W/ CAST IRON GRATE

PRECAST REINFORCED CONCRETE MANHOLE W/ CAST IRON COVER

CAST IRON GRATE WITH FRAME, TYPE D

CAST IRON GRATE WITH FRAME, TYPE E



STANDARD

D-15