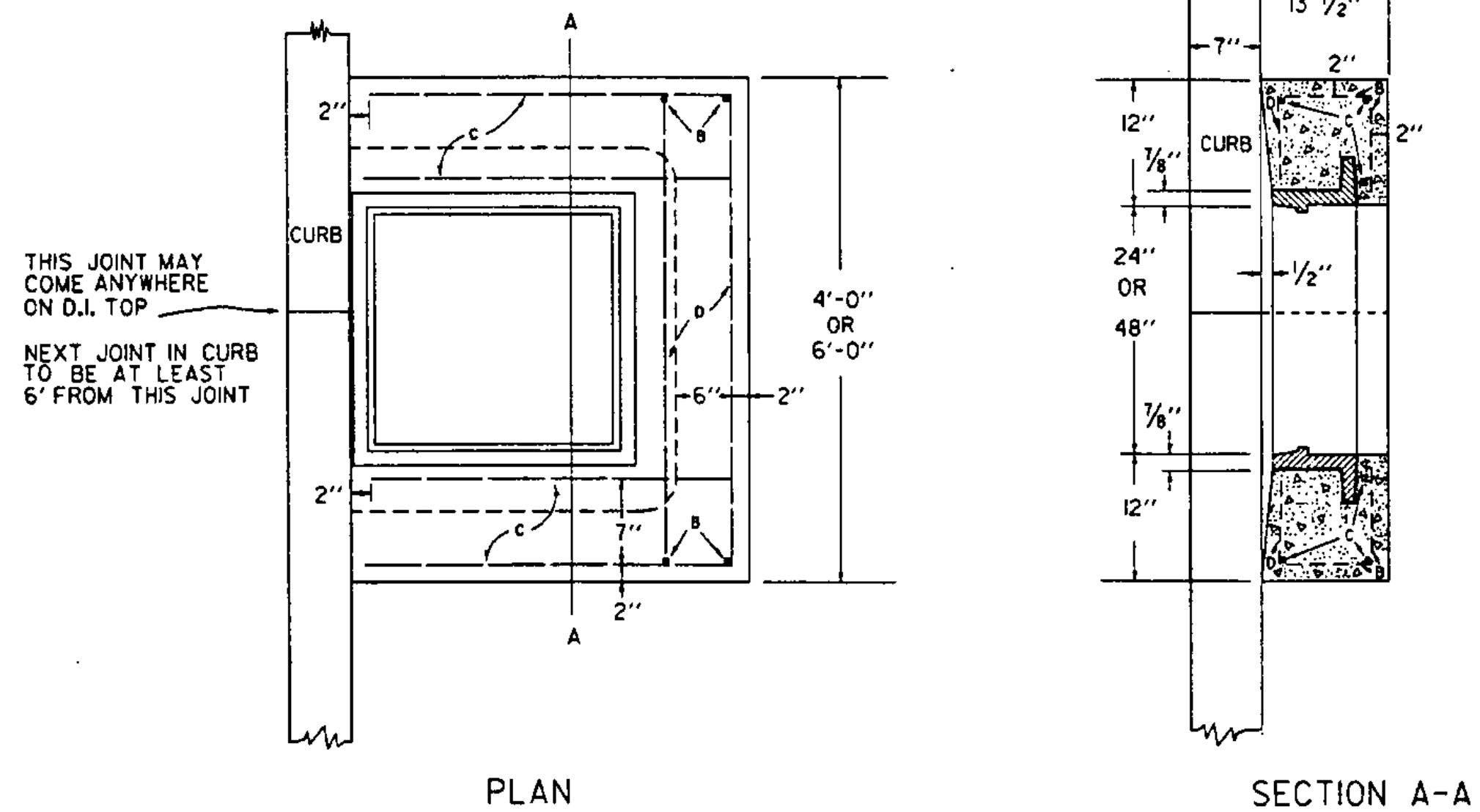


REINFORCED CONCRETE DROP INLET TOP WITH VERTICAL CURB



STEEL SCHEDULE FOR 4'-0" X 4'-0" D.I.

BAR	NO	LENGTH	
B	2	4'-8"	STRAIGHT
C	6	2'-9"	STRAIGHT
D	2	3'-8"	STRAIGHT

CONCRETE CLASS B 0.28 C.Y.  
REINFORCING STEEL 35 LBS.

STEEL SCHEDULE FOR 4'-0" X 6'-0" D.I.

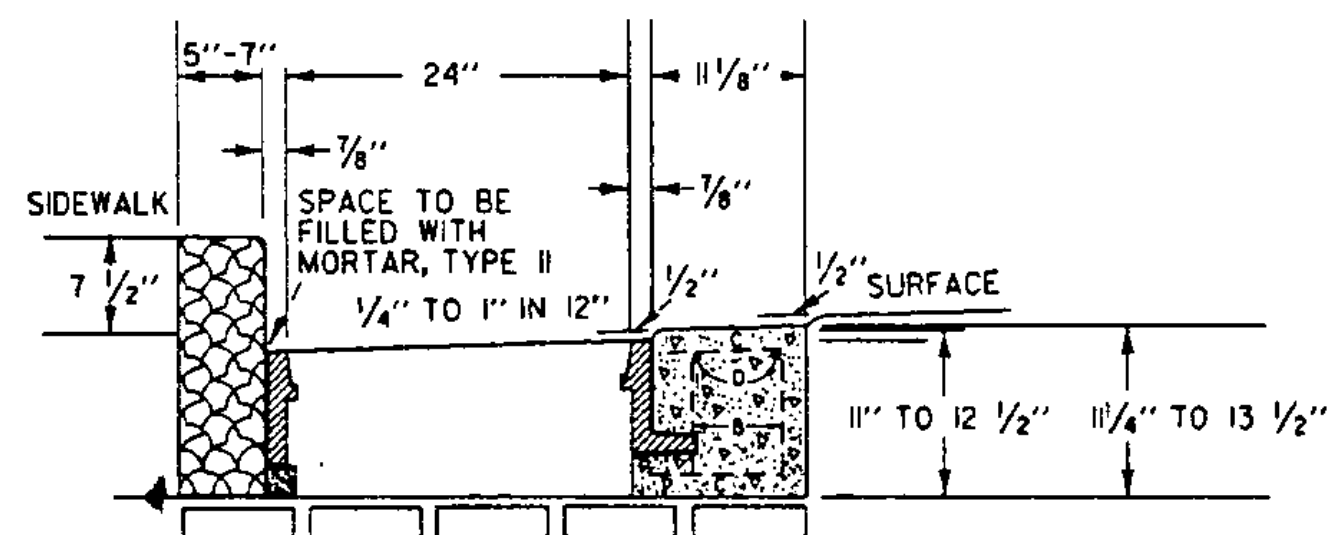
BAR	NO	LENGTH	
B	2	6'-8"	STRAIGHT
C	6	2'-9"	STRAIGHT
D	2	5'-8"	STRAIGHT

CONCRETE CLASS B 0.34 C.Y.  
REINFORCING STEEL 43 LBS.

THIS JOINT MAY COME ANYWHERE ON D.I. TOP  
NEXT JOINT IN CURB TO BE AT LEAST 6' FROM THIS JOINT

PLAN

SECTION A-A



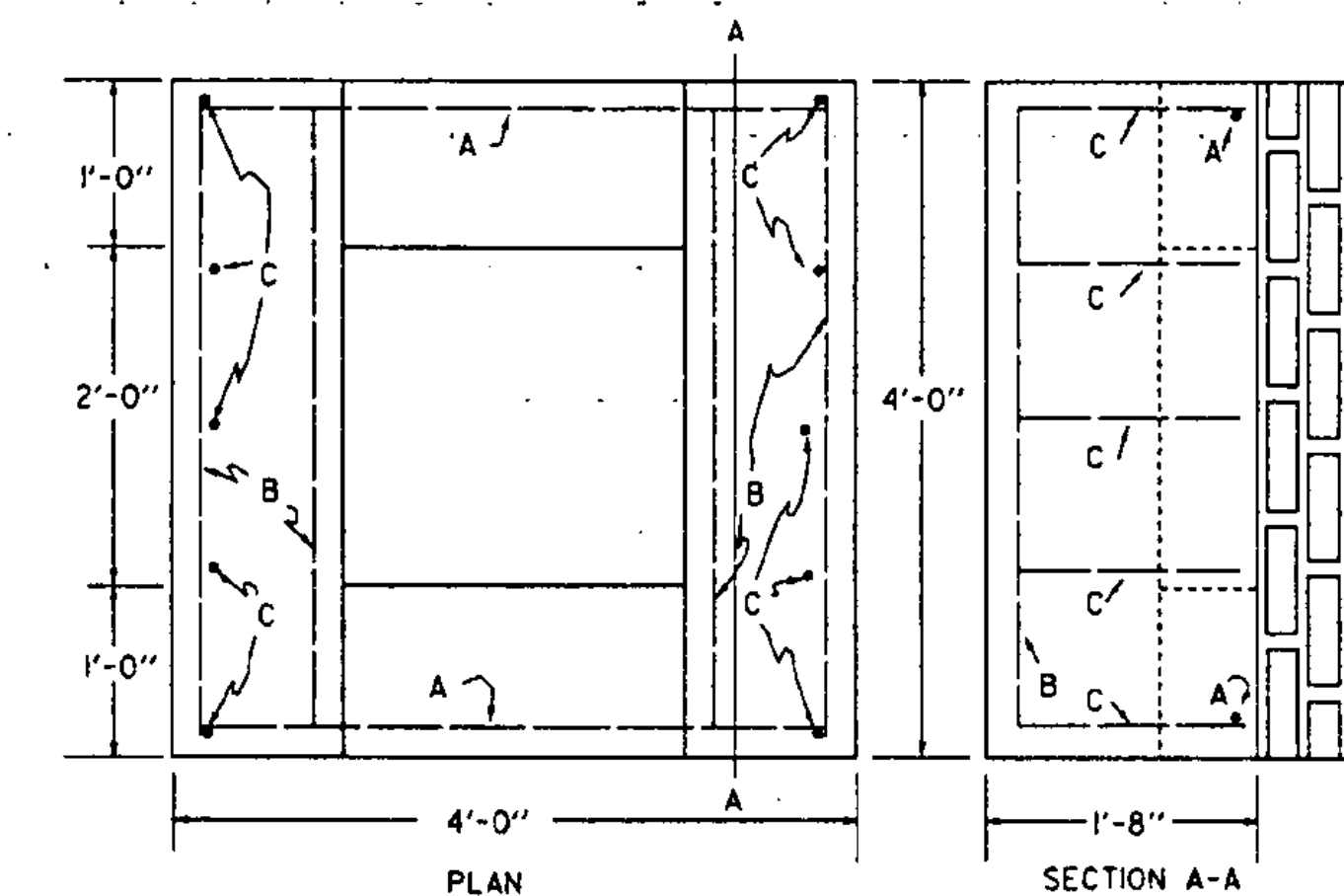
DEPTH OF CURB ACROSS D.I. TO BE 18" ± 1"

ELEVATION OF REINFORCED CONCRETE DROP INLET TOP WITH VERTICAL CURB

GENERAL NOTES

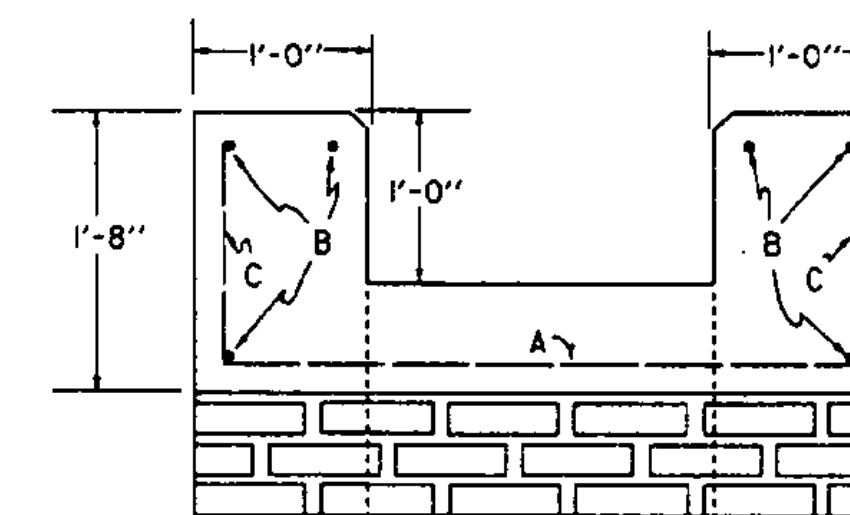
- CONCRETE TO CONFORM TO STRUCTURAL CONCRETE, SECTION 501.
- ALL REINFORCING STEEL TO BE No. 5 DEFORMED BARS.
- THESE TOPS TO BE USED WITH BOTTOM SECTIONS SHOWN ON STANDARD SHEETS D-5, D-8, AND D-13.
- ALL REINFORCING STEEL TO HAVE A 2" MINIMUM COVER
- CAST IRON GRATE AND FRAME IN ACCORDANCE AND PAID FOR UNDER SECTION 604.

PRECAST COVER TO BE CONSTRUCTED AND INSTALLED AS SHOWN ON STANDARD SHEET D-8.



PLAN

SECTION A-A



ELEVATION

CONCRETE THROAT ADAPTER

STEEL SCHEDULE

BAR	NO	LENGTH	TYPE
A	2	3'-8"	STRAIGHT
B	6	3'-8"	STRAIGHT
C	10	1'-4"	STRAIGHT

ALL REINFORCING STEEL TO BE No. 5 DEFORMED BARS.

CONCRETE TO CONFORM TO STRUCTURAL CONCRETE SECTION 501.

CONCRETE CLASS B 0.59 C.Y. (NOT INCLUDING COVER)  
REINFORCING STEEL 45 LBS.

REVISIONS AND CORRECTIONS

DEC. 6, 1971 - ORIGINAL APPROVAL  
JUNE 1, 1994 - REISSUED, WITHOUT CHANGE, UNDER NEW SIGNATURES.

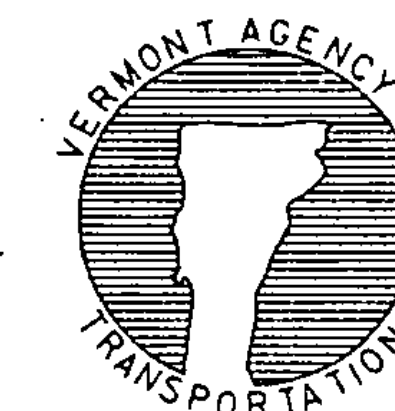
APPROVED

APPROVED FOR THIS PROJECT AND/OR DESIGN IMPLEMENTATION. FHWA FINAL APPROVAL PENDING.

*Stephen D. MacArthur, P.E.*  
DIRECTOR OF ENGINEERING  
*John M. Murphy, P.E.*  
DESIGN ENGINEER

REINFORCED CONCRETE DROP INLET WITH VERTICAL CURB

REINFORCED CONCRETE DROP INLET THROAT ADAPTER



STANDARD

D-9