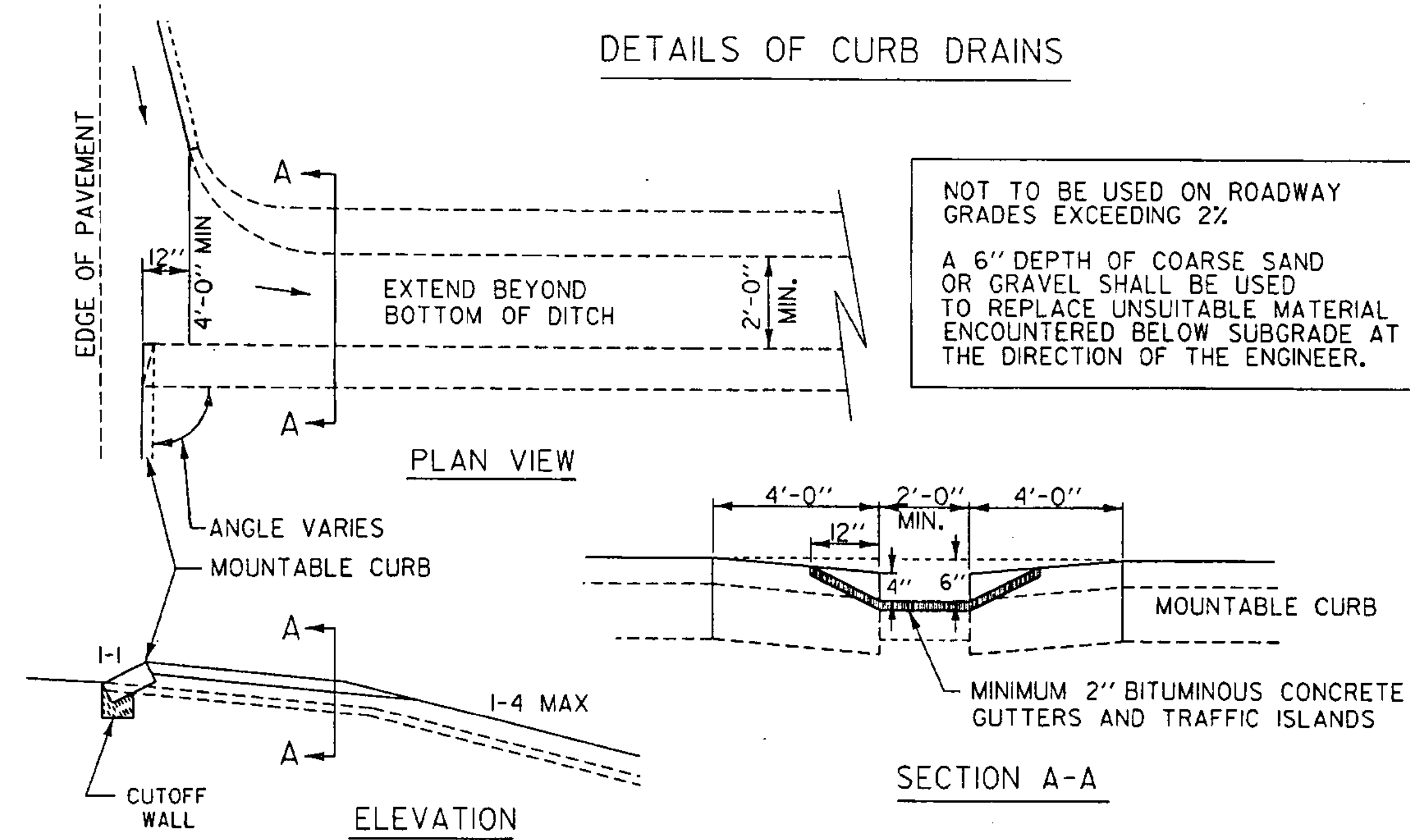
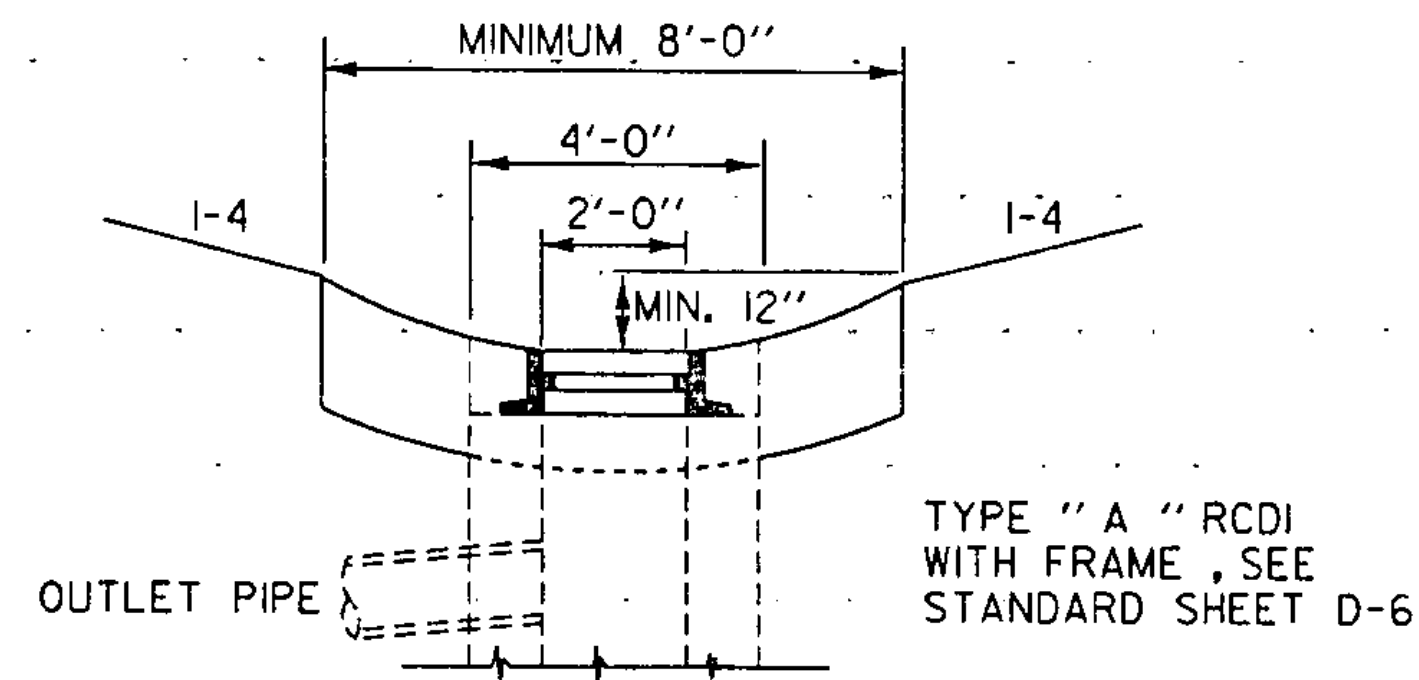


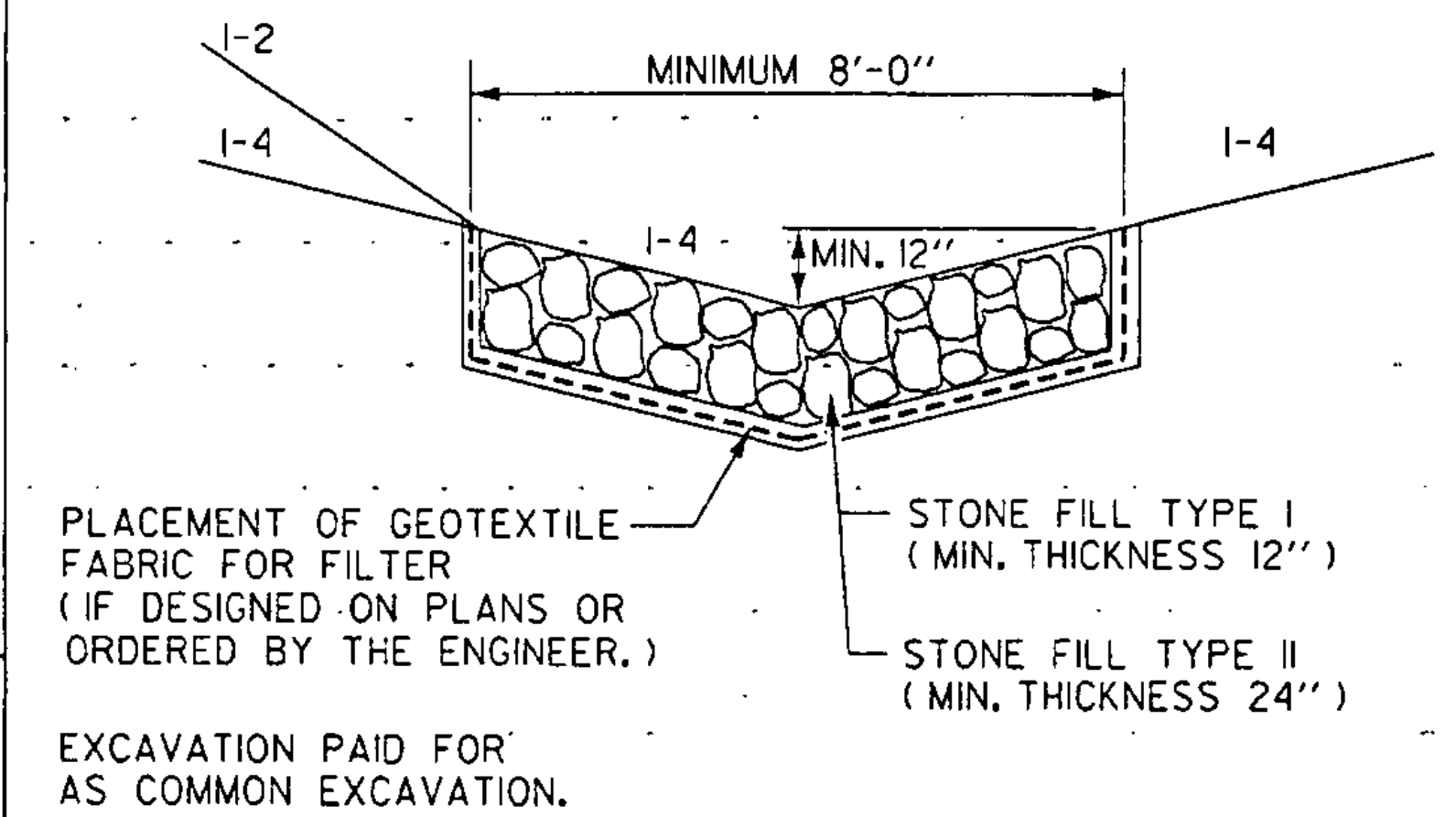
DETAILS OF CURB DRAINS



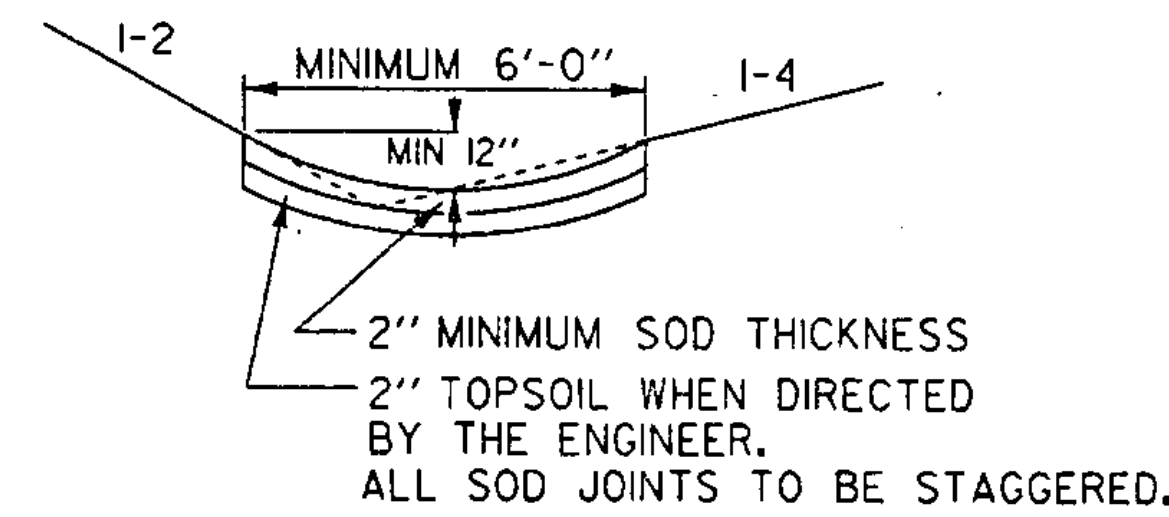
DROP INLET WITH GRATE IN TREATED GUTTER



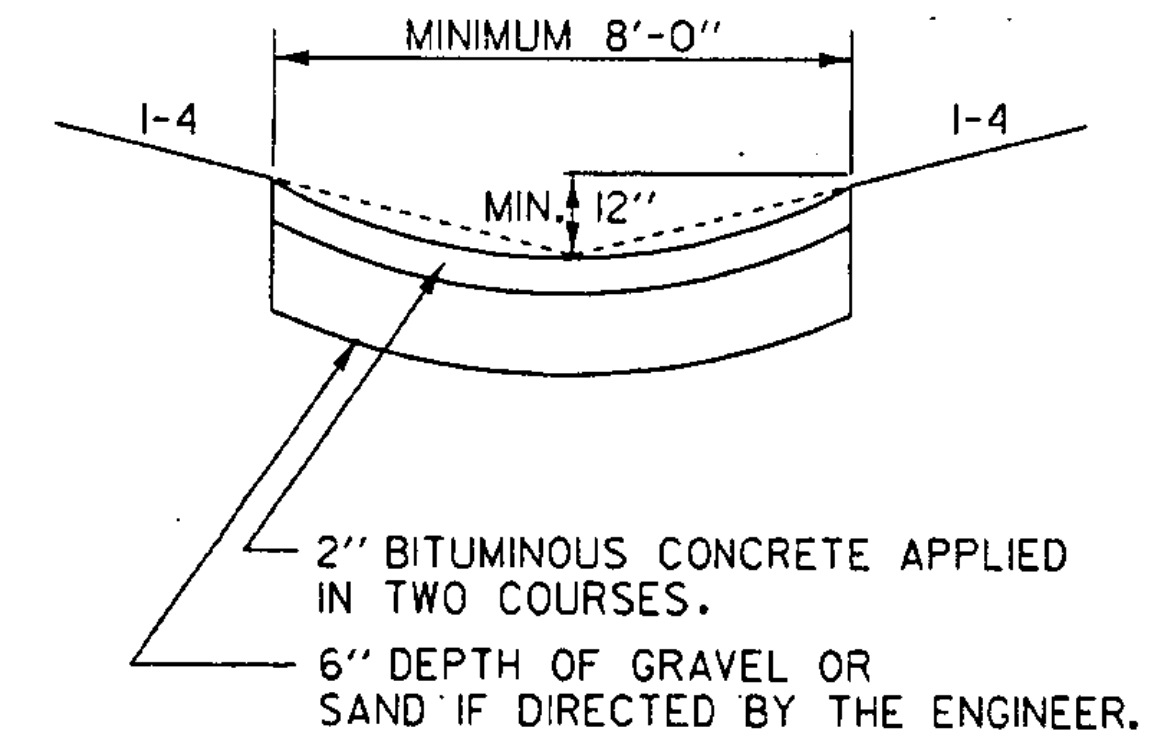
STONE FILL TYPE I
STONE FILL TYPE II



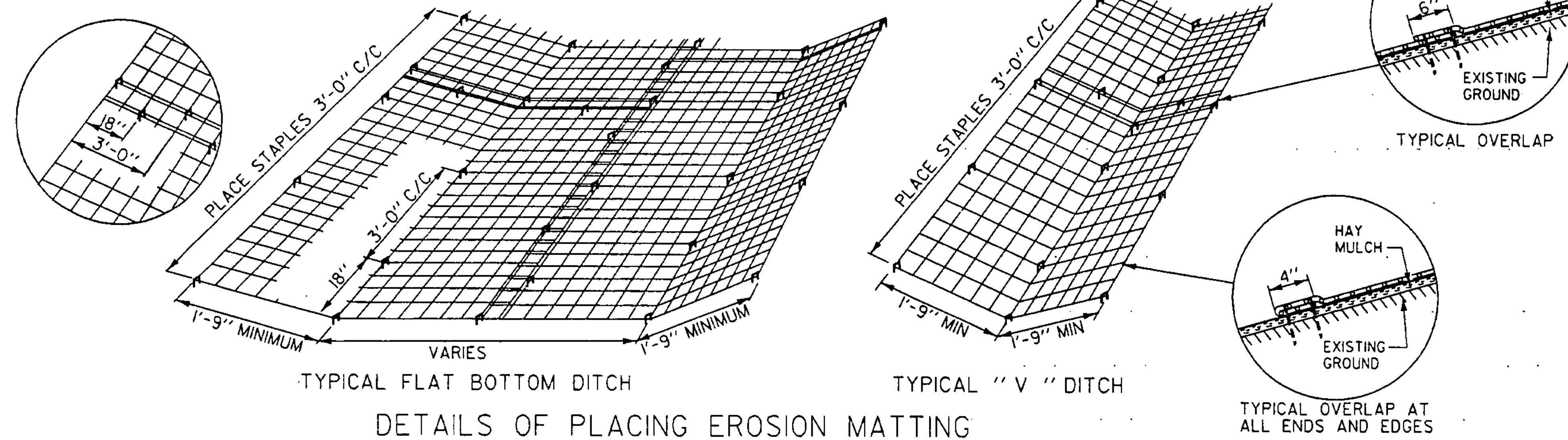
SODDING



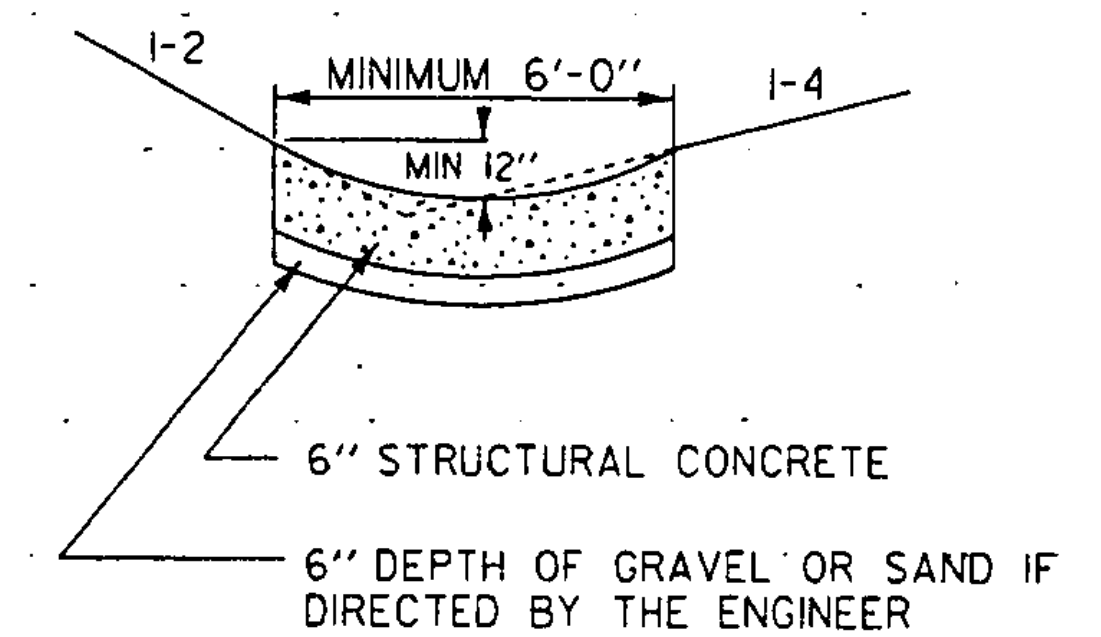
BITUMINOUS CONCRETE GUTTERS
AND TRAFFIC ISLANDS



ON ALL OVERLAPS, PLACE STAPLES EVERY 18", ALTERNATING ON BOTH SIDES OF 6" OVERLAP.



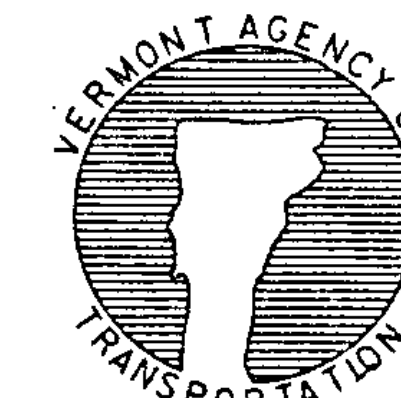
PORTLAND CEMENT CONCRETE GUTTER



REVISIONS AND CORRECTIONS
APR. 2, 1986 - ORIGINAL APPROVAL DATE
JUNE 1, 1994 - REISSUED, WITHOUT CHANGE,
UNDER NEW SIGNATURES.

APPROVED
APPROVED FOR THIS PROJECT
AND/OR DESIGN IMPLEMENTATION.
FHWA FINAL APPROVAL PENDING.
Stephen W. The...
DIRECTOR OF ENGINEERING
John M. Mundy PE
DESIGN ENGINEER

TREATED GUTTERS



STANDARD
D-3