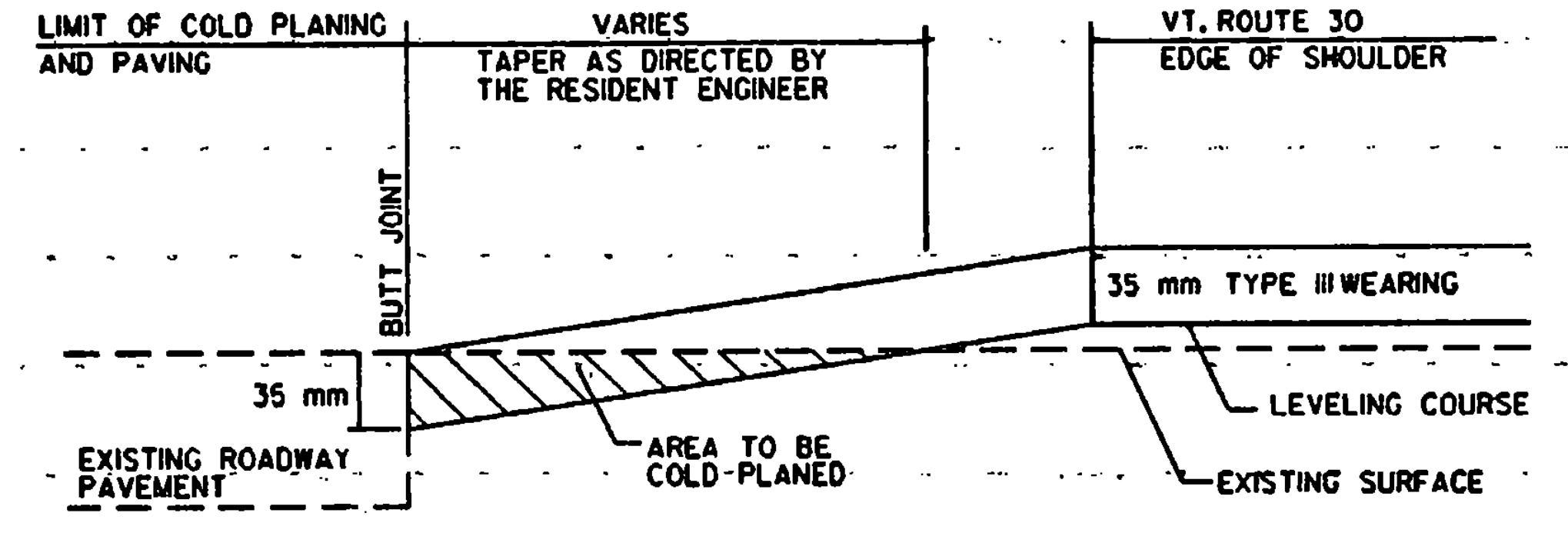
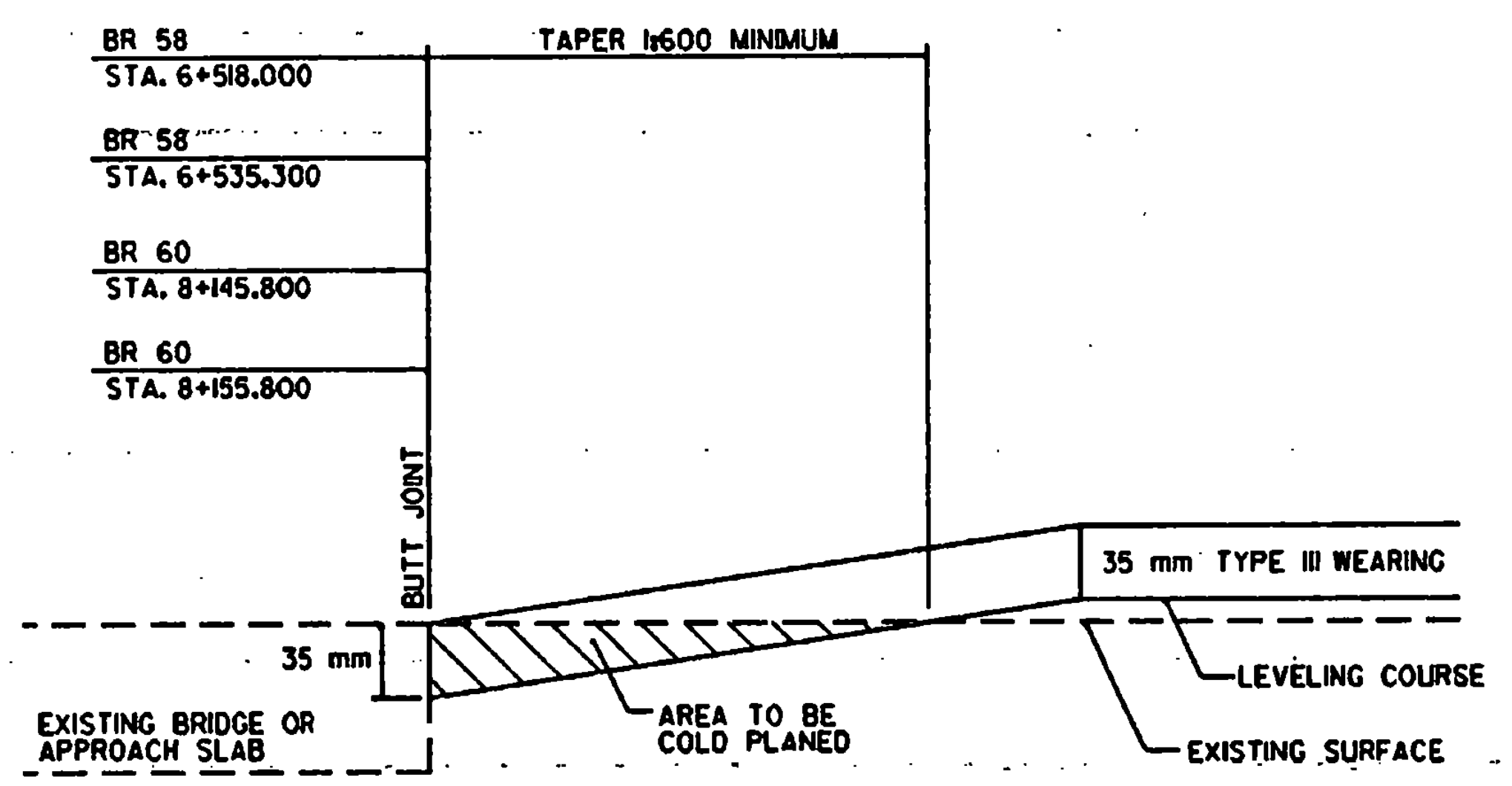


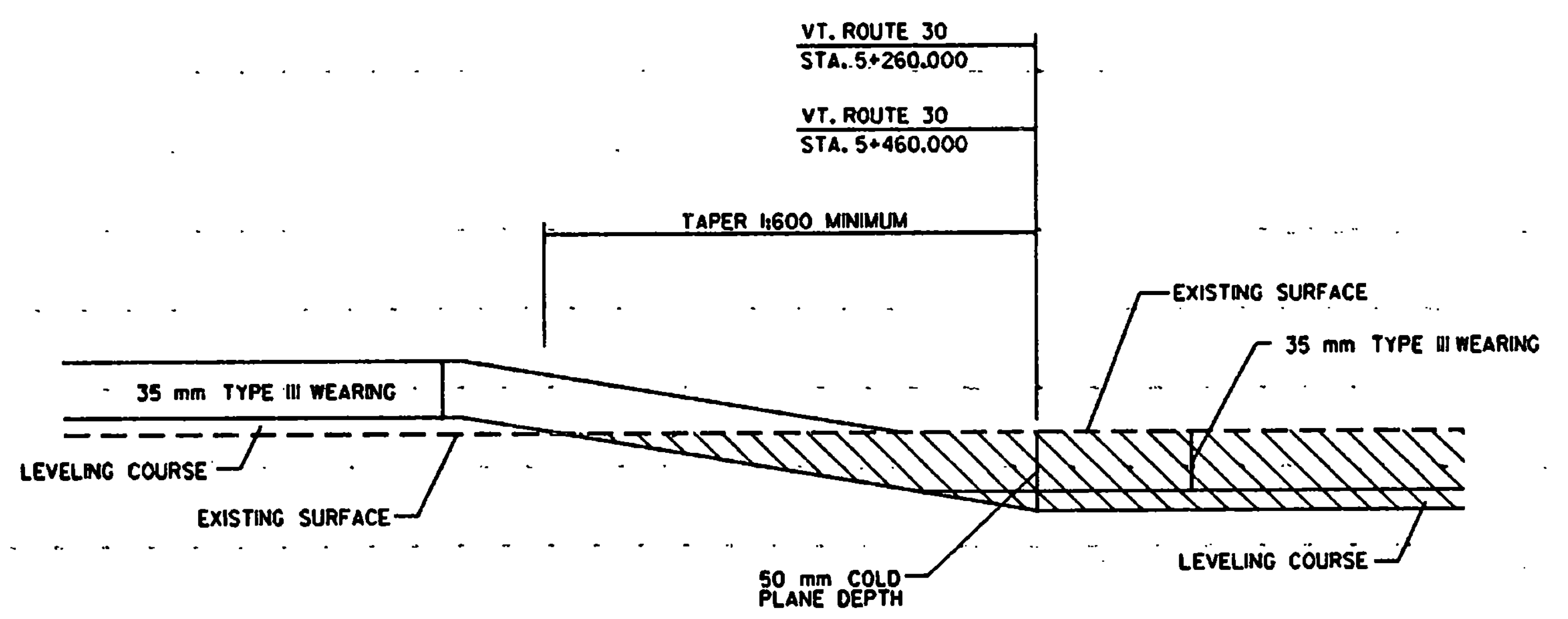
APPROACH AREA DETAIL
 VT. ROUTE 30 STA. 0+471.538 - BEGIN OVERLAY
 VT. ROUTE 30 STA. 8+408.822 - END OVERLAY



APPROACH AREA DETAIL
 T-1 T-13
 T-3 T-36
 T-26 T-2
 T-25 T-6
 T-10 T-8



TRANSITION AREA DETAIL
 VT. ROUTE 30 BR 58 STA. 6+518.000
 VT. ROUTE 30 BR 58 STA. 6+535.300
 VT. ROUTE 30 BR 60 STA. 8+145.800
 VT. ROUTE 30 BR 60 STA. 8+155.800



TRANSITION AREA DETAIL
 VT. ROUTE 30 STA. 5+260.000 END OVERLAY / BEGIN COLD PLANE
 VT. ROUTE 30 STA. 5+460.000 END COLD PLANE / BEGIN OVERLAY

DATUM	
VERTICAL	N/A
HORIZONTAL	N/A

PAVING DETAILS SHEET	SURVEYED BY	N/A	DATE	N/A
	DRAWN BY	E.C.D.	DATE	11/97
	SQUAD LEADER	T.P.K.		
	DESIGN FILE NO.	/pave/95b022/pb022.dgn		
	IPARM FILE	pb022d1.r	DATE PLOTTED	20-JAN-1998
PROJ. NAME		DORSET		
PROJ. NO.		STP 9504115		
SHEET		28 OF 45	SHEETS	