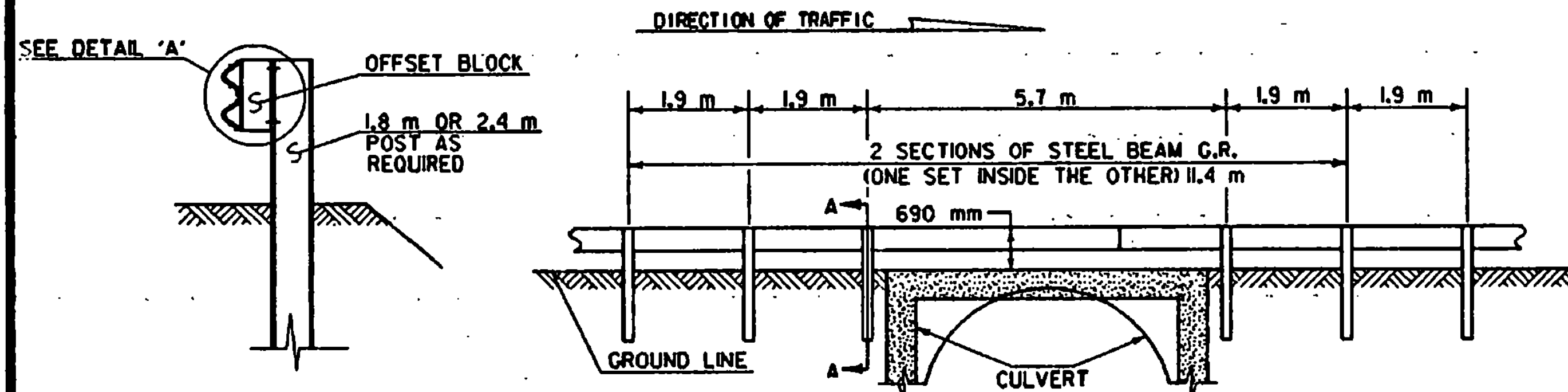


DETAIL A
NOT TO SCALE

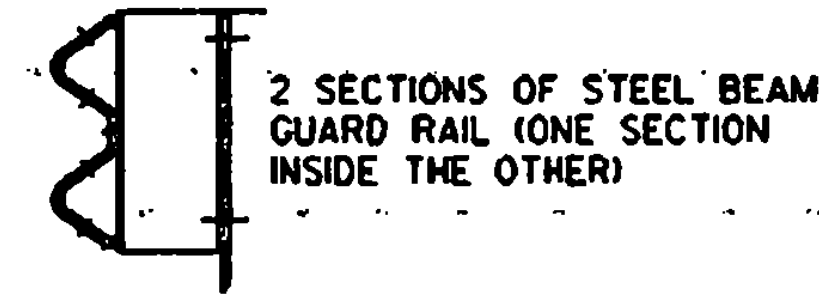
NOTES

1. SEE STANDARD G-1 & G-1D FOR STEEL BEAM GUARD RAIL DETAILS.
2. THIS WORK SHALL BE PAID UNDER ITEM 621.20, STEEL BEAM GUARD RAIL (TYPE IV) (MOD.), AT A PAY FACTOR OF 1.0.
3. THIS DETAIL TO BE USED AS INDICATED ON THE ITEM DETAIL SUMMARY SHEET OR AS DIRECTED BY THE ENGINEER.



SECTION A-A
NOT TO SCALE

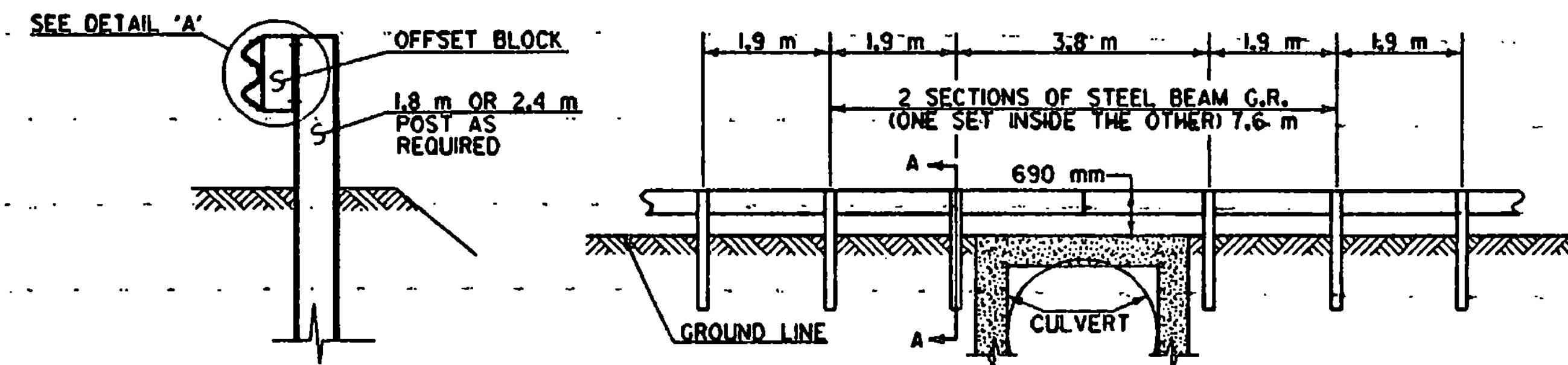
DETAIL OF STEEL BEAM GUARD RAIL AT LARGE CULVERTS
BR 6
BR 12
NOT TO SCALE



DETAIL A
NOT TO SCALE

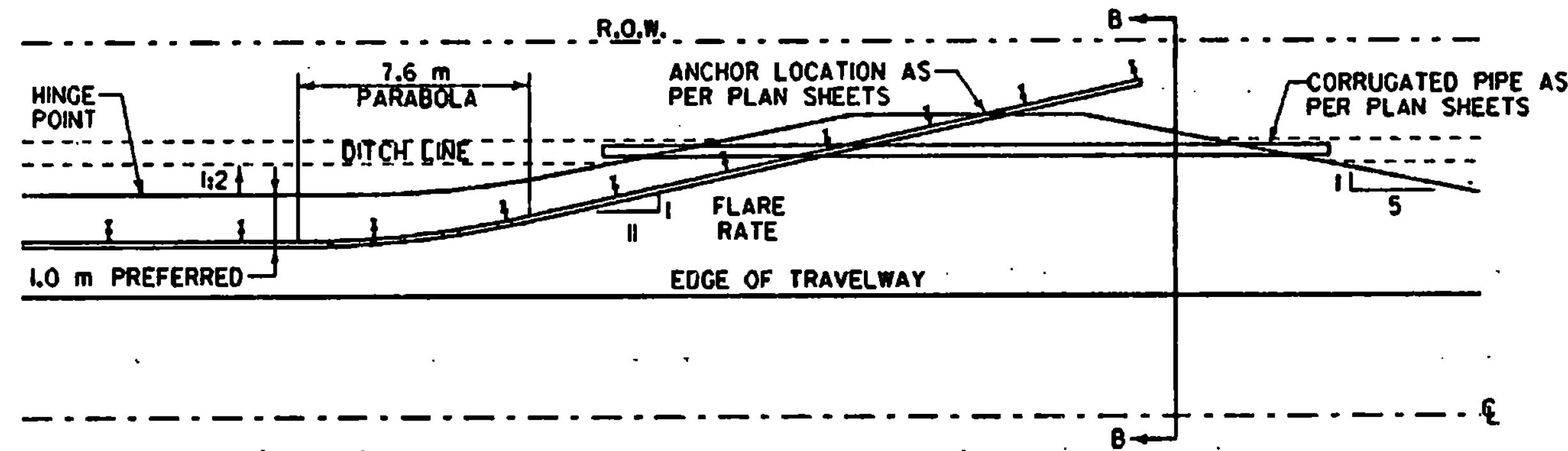
NOTES

1. SEE STANDARD G-1 & G-1D FOR STEEL BEAM GUARD RAIL DETAILS.
2. THIS WORK SHALL BE PAID UNDER ITEM 621.20, STEEL BEAM GUARD RAIL (TYPE IV) (MOD.), AT A PAY FACTOR OF 1.0.
3. THIS DETAIL TO BE USED AS INDICATED ON THE ITEM DETAIL SUMMARY SHEET OR AS DIRECTED BY THE ENGINEER.

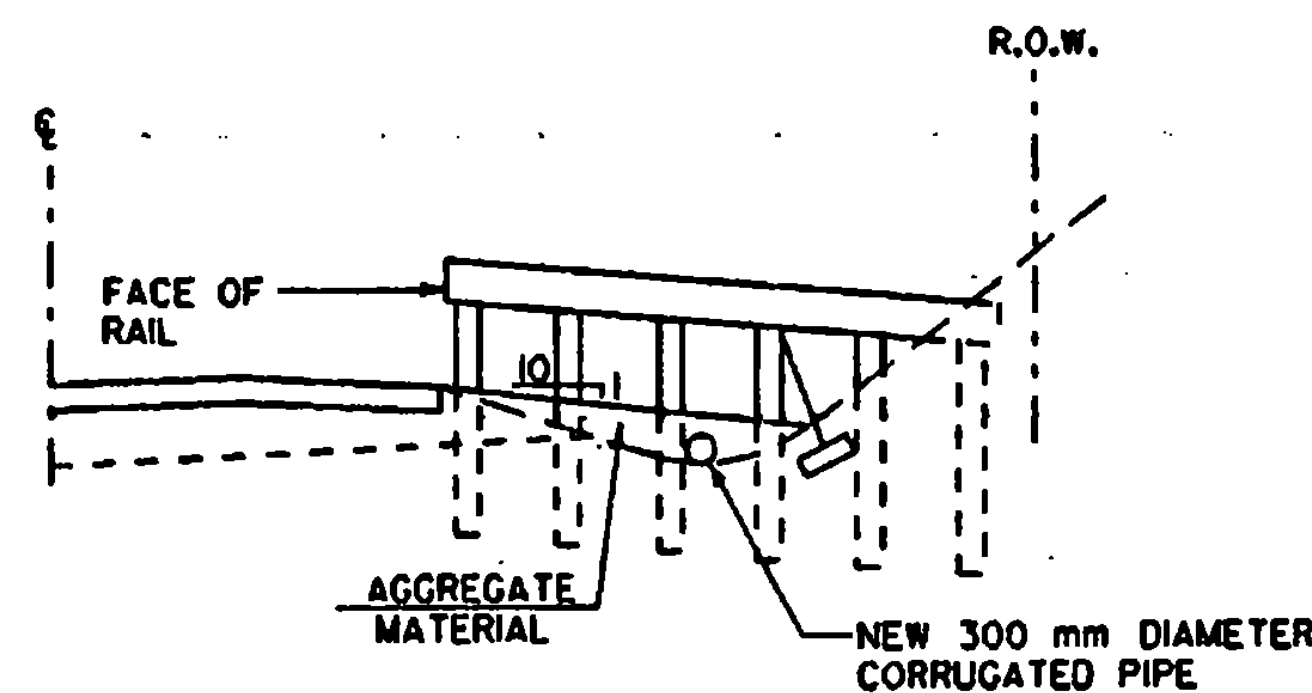


SECTION A-A
NOT TO SCALE

DETAIL OF STEEL BEAM GUARD RAIL AT SMALL CULVERTS
BR 11
NOT TO SCALE



DETAIL FOR BURIED GUARD RAIL ENDS INTO BACKSLOPES
NOT TO SCALE



SECTION B-B
NOT TO SCALE

DATUM	
VERTICAL	N/A
HORIZONTAL	N/A

**BRIDGE
DETAIL
SHEET**

SURVEYED BY	N/A	DATE	N/A
DRAWN BY	T.J.B.	DATE	11/97
SQUAD LEADER	T.P.K.		
DESIGN FILE NO.	/pave/89b016/pb16.dwg		
IPARM FILE	pb016dt2.i	DATE PLOTTED	20-08-1998
PROJ. NAME	MANCHESTER - WINHALL		
PROJ. NO.	SPP-F-016-M6		
SHEET	19 OF 43	SHEETS	