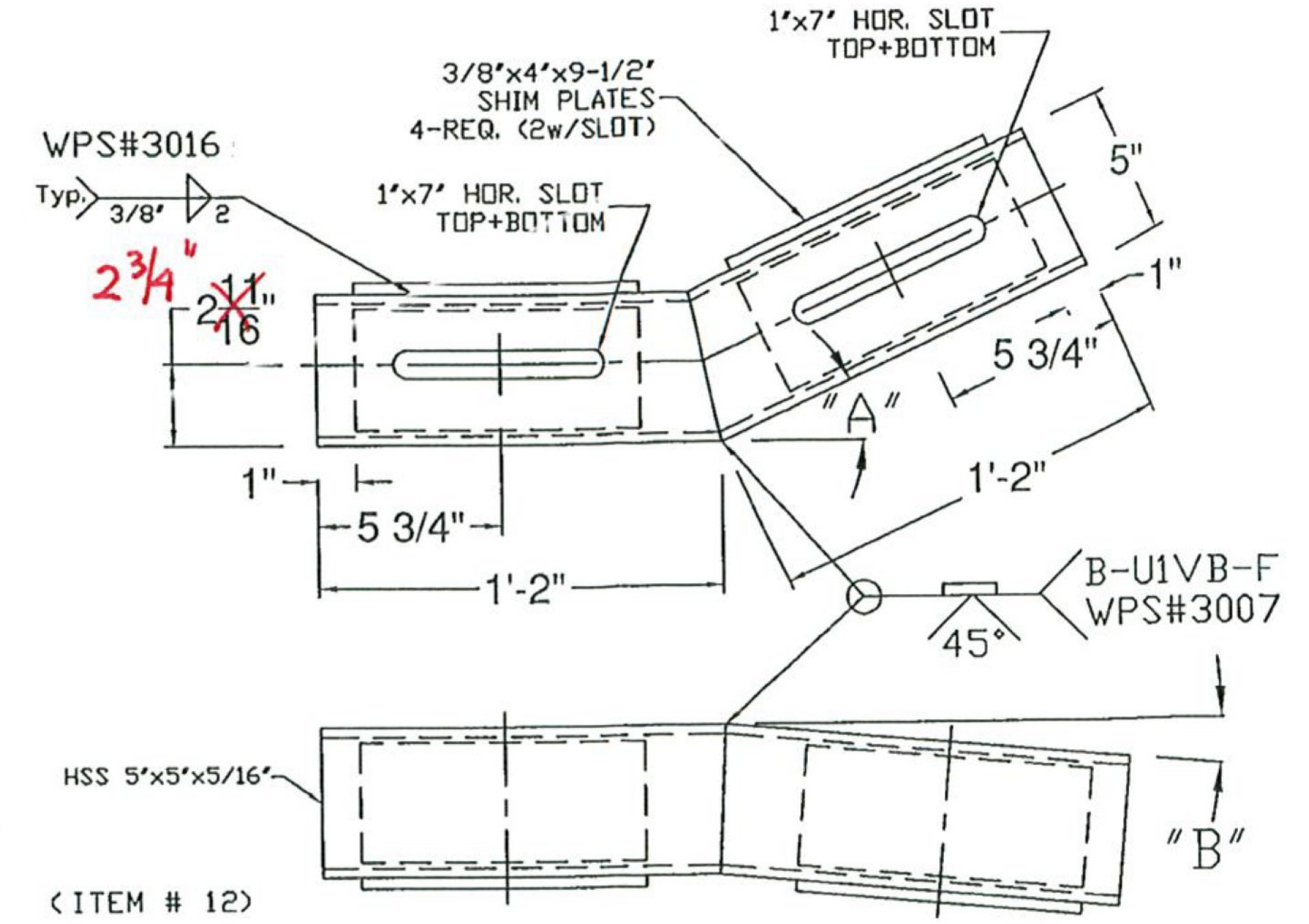
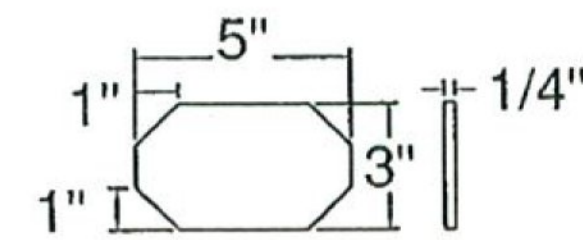
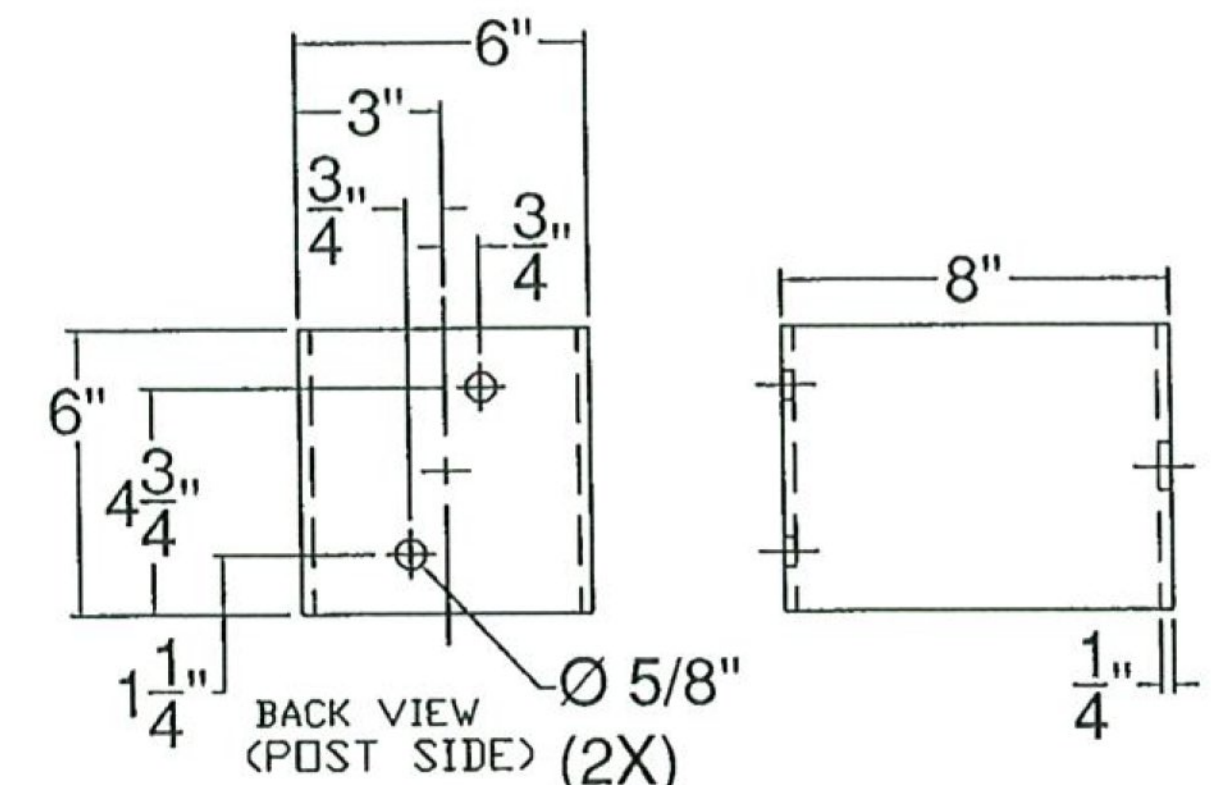
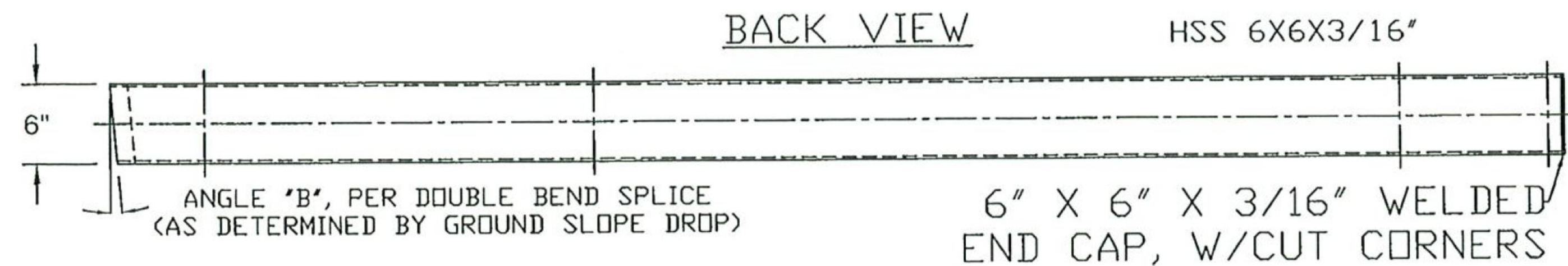


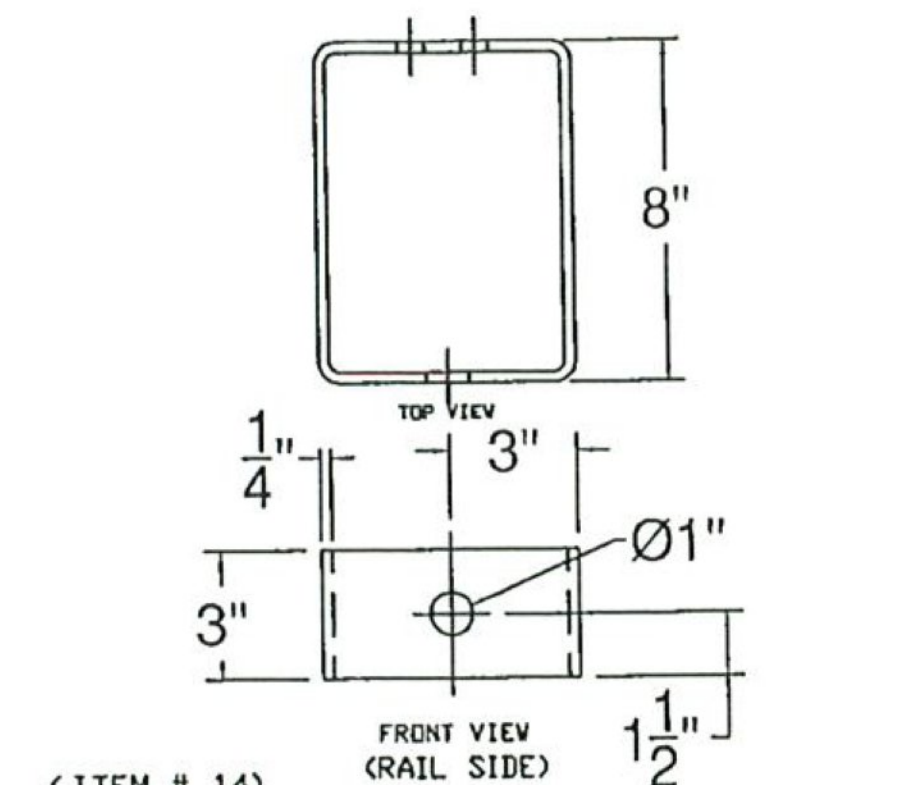
(ITEM # 10)



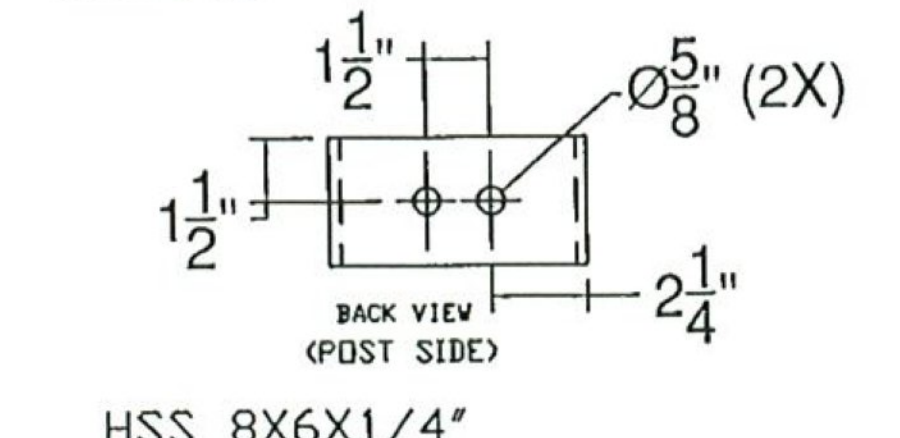
"A" - 26°  
 "B" - TURN DOWN ANGLE SET BY THE 9' MEASUREMENT AT THE END OF THE BOX BEAM.



(ITEM # 13)



(ITEM # 14)



ITEM #: 621.725

STRUCTURAL STEEL TO COMPLY W/ ASTM A6

TOLERANCE UNLESS OTHERWISE NOTED:  
 FRACTIONS = ± 1/16"  
 ANGLES = ± 1/2°  
 DIAMETERS = ± 1/32"

GUARD RAIL TO BRIDGE RAIL TRANSITION DETAILS SHEET

VT ROUTE 108 (MAJOR COLLECTOR), BRIDGE # 3  
 TOWN OF STOWE, COUNTY OF LAMOILLE, VT.

R NO.	DATE	DESCRIPTION	BY	R NO.	DATE	DESCRIPTION	BY
E				E			
V				V			

DRAWN	E.P.	9/1/15
CHECKED	D.L.	9/1/15
APPROVED		
SCALE	SCHEMATIC	
DRAWING NO. F.R.L.-STOWE BR# 0235 (15)		

ELDERLEE, INC.  
 OAKS CORNERS, NEW YORK 14518  
 email: dlong@elderlee.com / epek@elderlee.com  
 Tel: 315-789-6670 Fax: 315-789-6616

CERTIFIED FABRICATOR  
 OTHOGRAPHIC PROJECTION

(ITEM # 15)

Ø 5/8" HANGING HOLE FOR GALV (TOP & BOTTOM)

