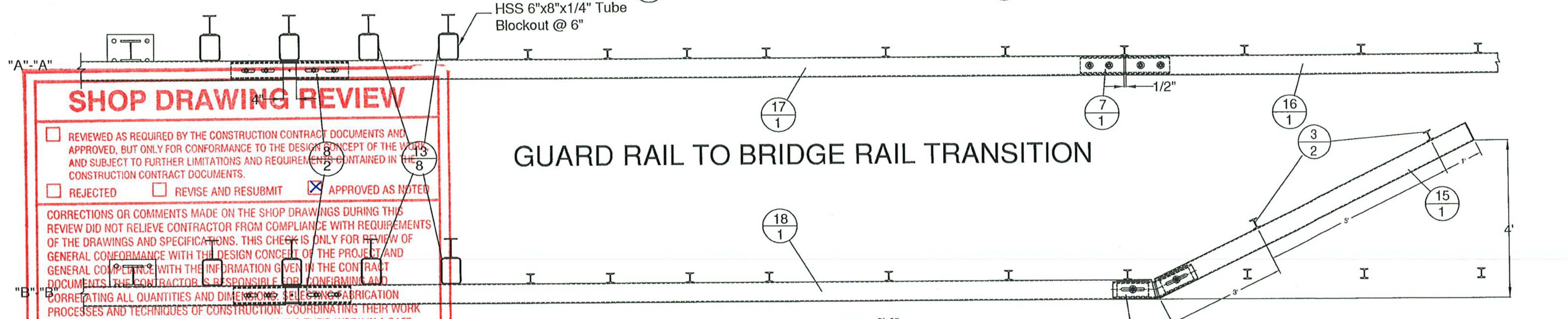
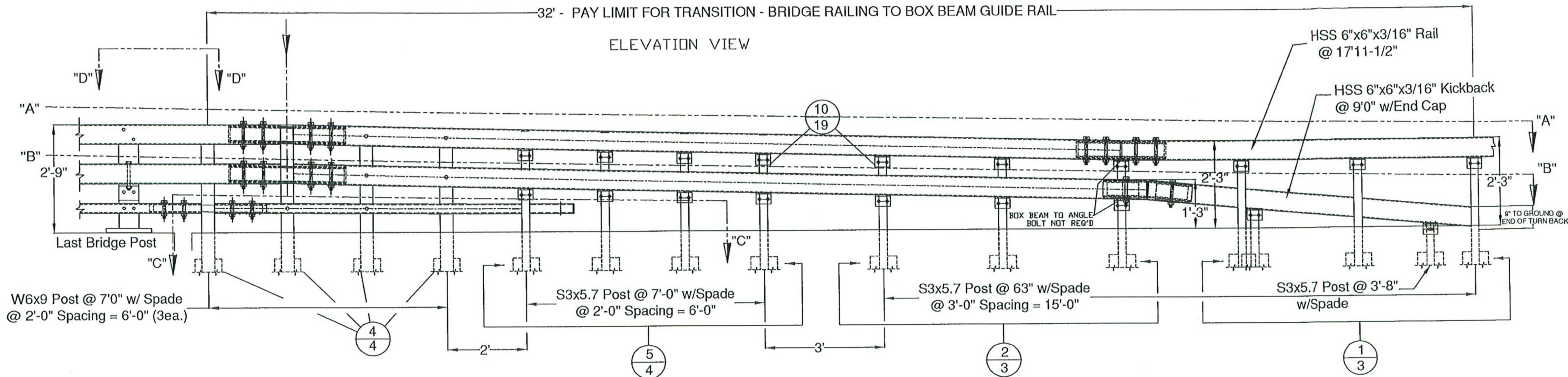


32' - PAY LIMIT FOR TRANSITION - BRIDGE RAILING TO BOX BEAM GUIDE RAIL

ELEVATION VIEW



GUARD RAIL TO BRIDGE RAIL TRANSITION

SHOP DRAWING REVIEW

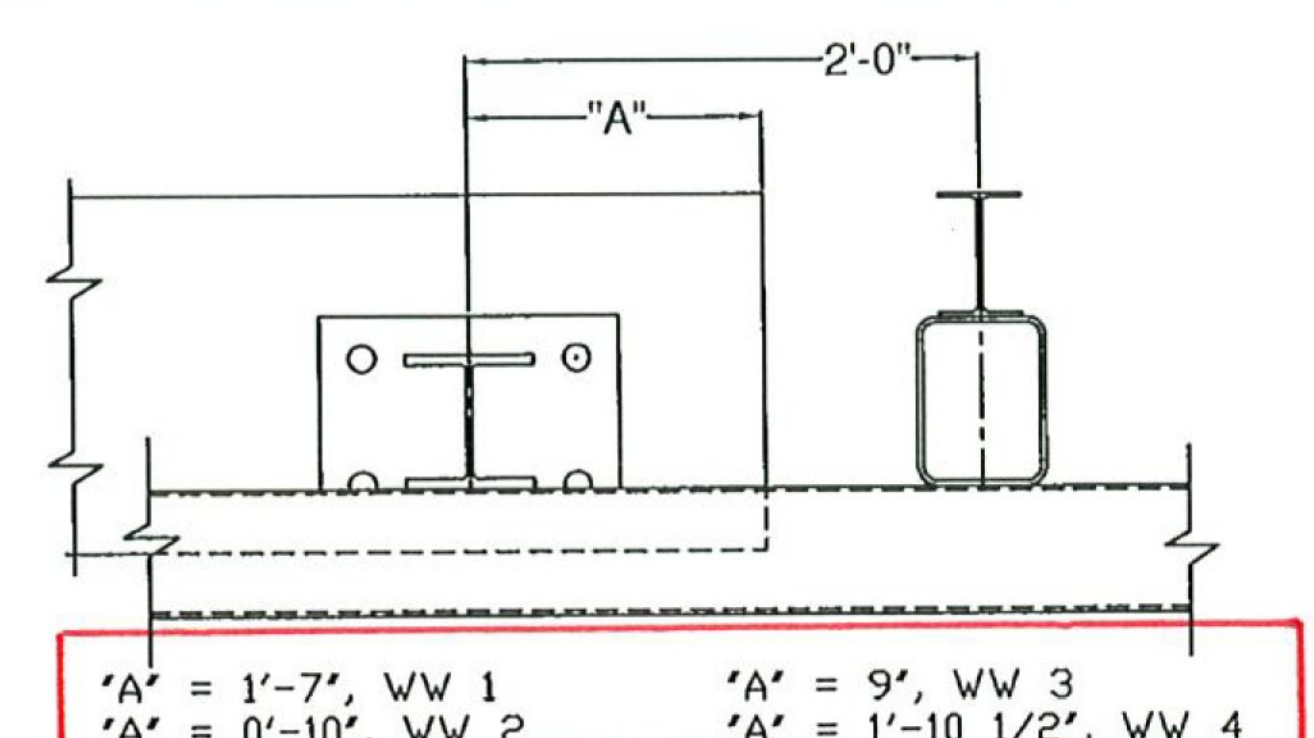
REVIEWED AS REQUIRED BY THE CONSTRUCTION CONTRACT DOCUMENTS AND APPROVED, BUT ONLY FOR CONFORMANCE TO THE DESIGN CONCEPT OF THE WORK AND SUBJECT TO FURTHER LIMITATIONS AND REQUIREMENTS CONTAINED IN THE CONSTRUCTION CONTRACT DOCUMENTS.

REJECTED REVISE AND RESUBMIT APPROVED AS NOTED

CORRECTIONS OR COMMENTS MADE ON THE SHOP DRAWINGS DURING THIS REVIEW DID NOT RELIEVE CONTRACTOR FROM COMPLIANCE WITH REQUIREMENTS OF THE DRAWINGS AND SPECIFICATIONS. THIS CHECK IS ONLY FOR REVIEW OF GENERAL CONFORMANCE WITH THE DESIGN CONCEPT OF THE PROJECT AND GENERAL COMPLIANCE WITH THE INFORMATION GIVEN IN THE CONTRACT DOCUMENTS. THE CONTRACTOR IS RESPONSIBLE FOR CONFIRMING AND CORRECTING ALL QUANTITIES AND DIMENSIONS BEFORE FABRICATION PROCESSES AND TECHNIQUES OF CONSTRUCTION. COORDINATING THEIR WORK WITH THAT OF ALL OTHER TRADES; AND PERFORMING THEIR WORK IN A SAFE AND SATISFACTORY MANNER.

CLD CONSULTING ENGINEERS, INC.
 540 Commercial Street
 Manchester, NH 03101
 603-668-8223

Job Number: 12-0120
 Reviewed By: AEG
 Date: 10/7/15



VIEW "D"-"D"

please note that these dimensions are measured at the front face of the rail

ITEM #: 621.725
 STRUCTURAL STEEL TO COMPLY W/ ASTM A6
 TOLERANCE UNLESS OTHERWISE NOTED:
 FRACTIONS = ± 1/16"
 ANGLES = ± 1/2"
 DIAMETERS = ± 1/32"

SHEET 1 OF 5

GUARD RAIL TO BRIDGE RAIL TRANSITION DETAILS SHEET
 VT ROUTE 108 (MAJOR COLLECTOR), BRIDGE #3
 TOWN OF STOWE, COUNTY OF LAMOILLE, VT.

R NO.	DATE	DESCRIPTION	BY	R NO.	DATE	DESCRIPTION	BY

ELDERLEE, INC.
 OAKS CORNERS, NEW YORK 14518
 email: dlong@elderlee.com / epek@elderlee.com
 Tel: 315-789-6670 Fax: 315-789-6616

CERTIFIED FABRICATOR
 ORTHOGRAPHIC PROJECTION

DRAWN	E.P.	9/1/15
CHECKED	D.L.	9/1/15
APPROVED		
SCALE	SCHEMATIC	
DRAWING NO. F.R.L.-STOWE BR 0235 (15)		