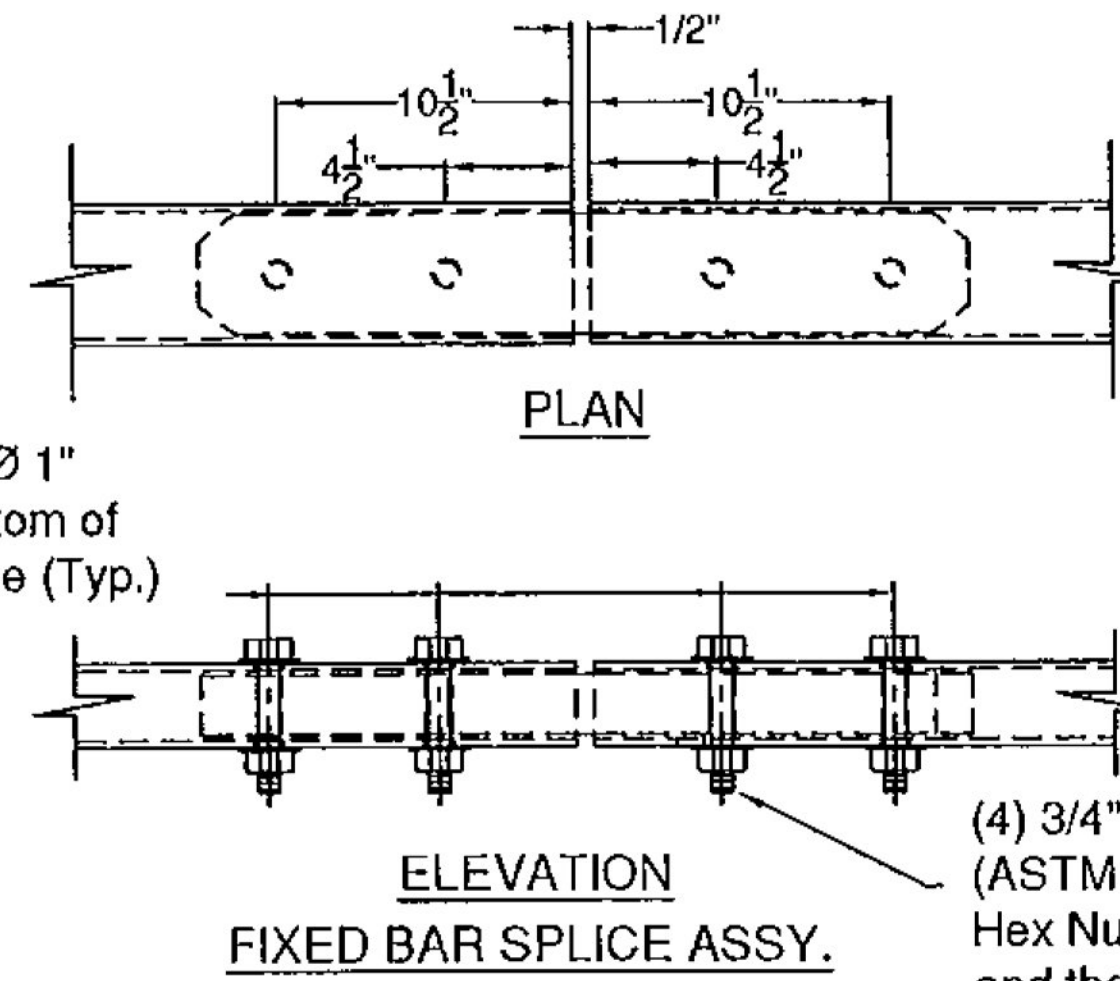
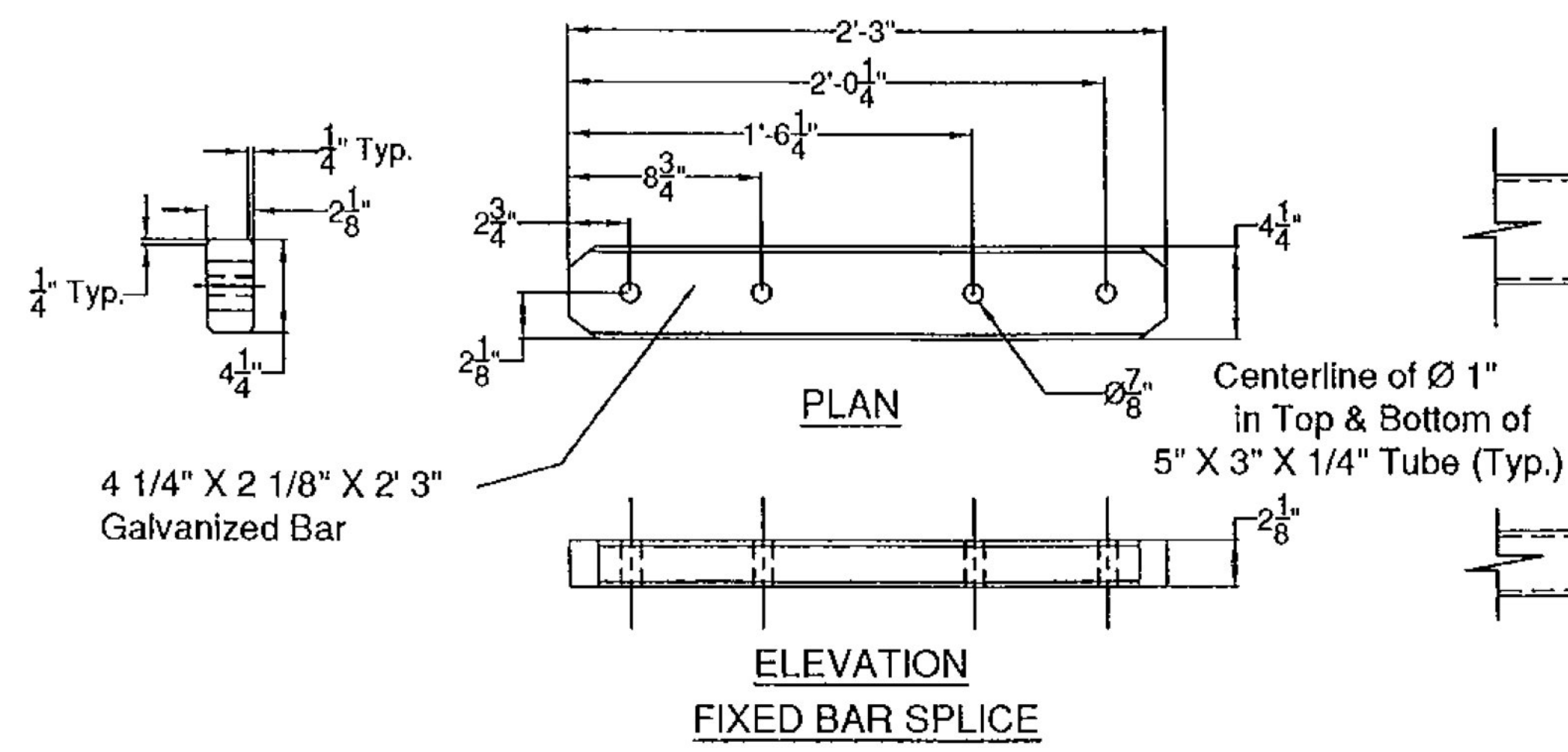
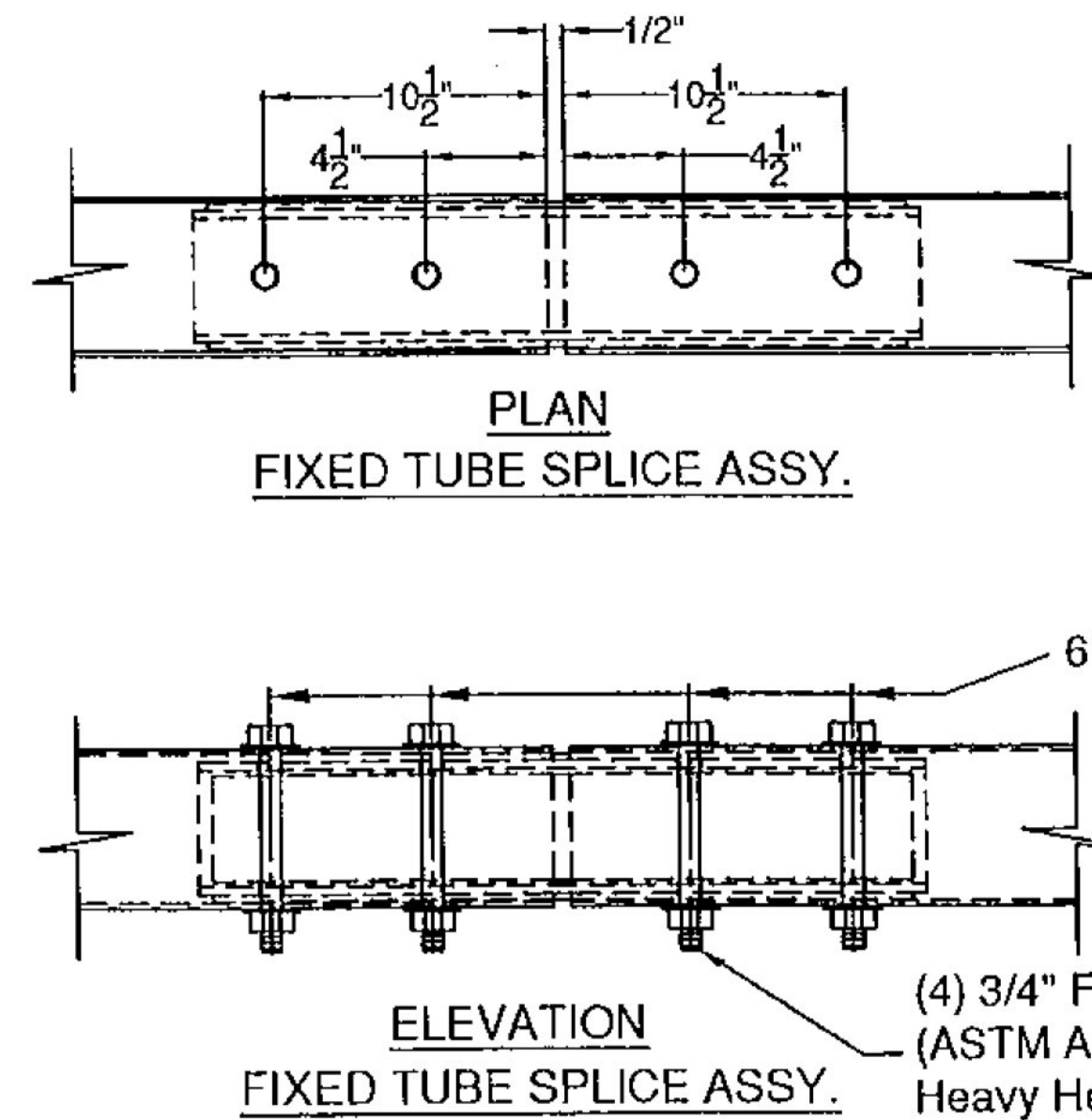
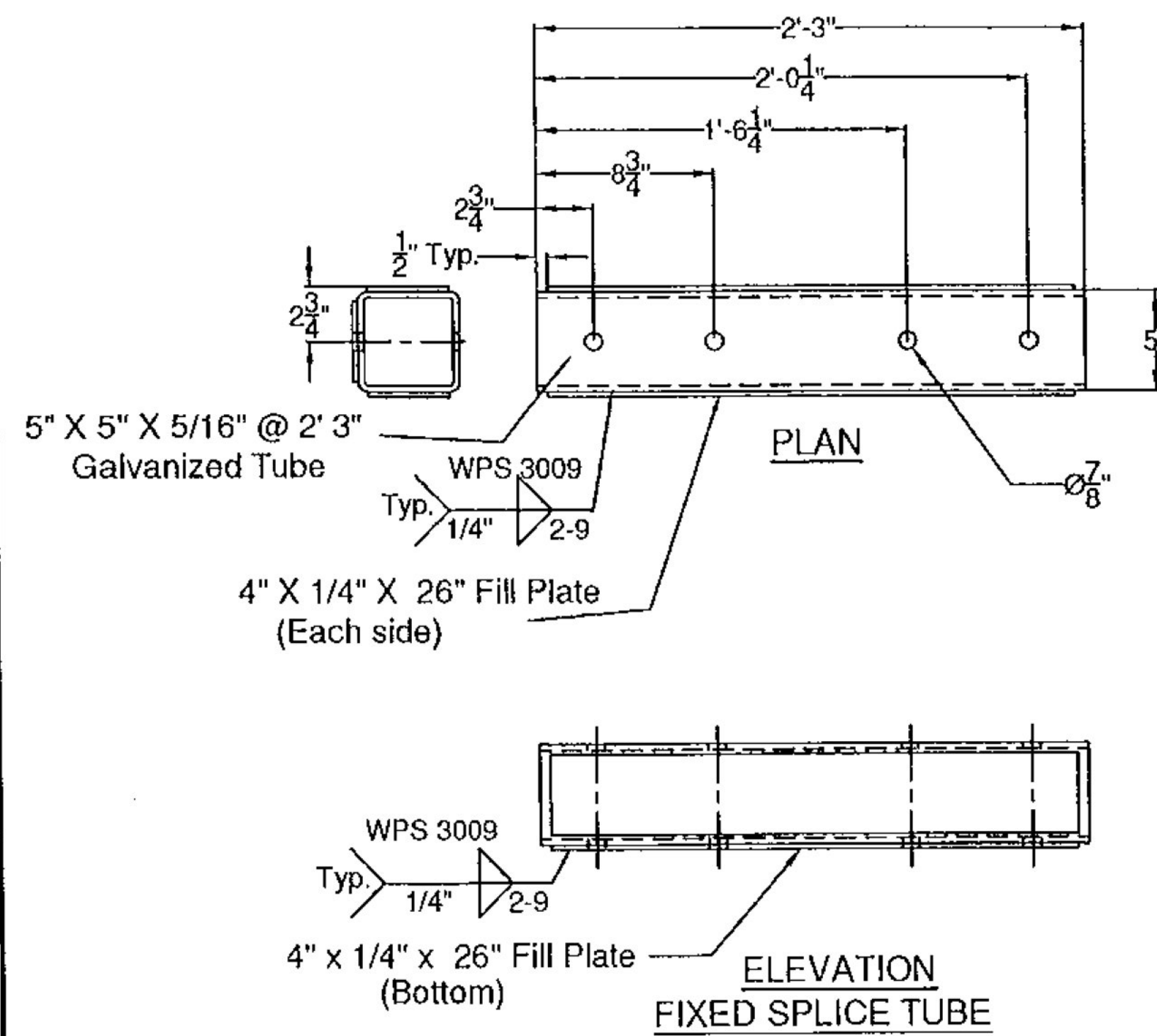
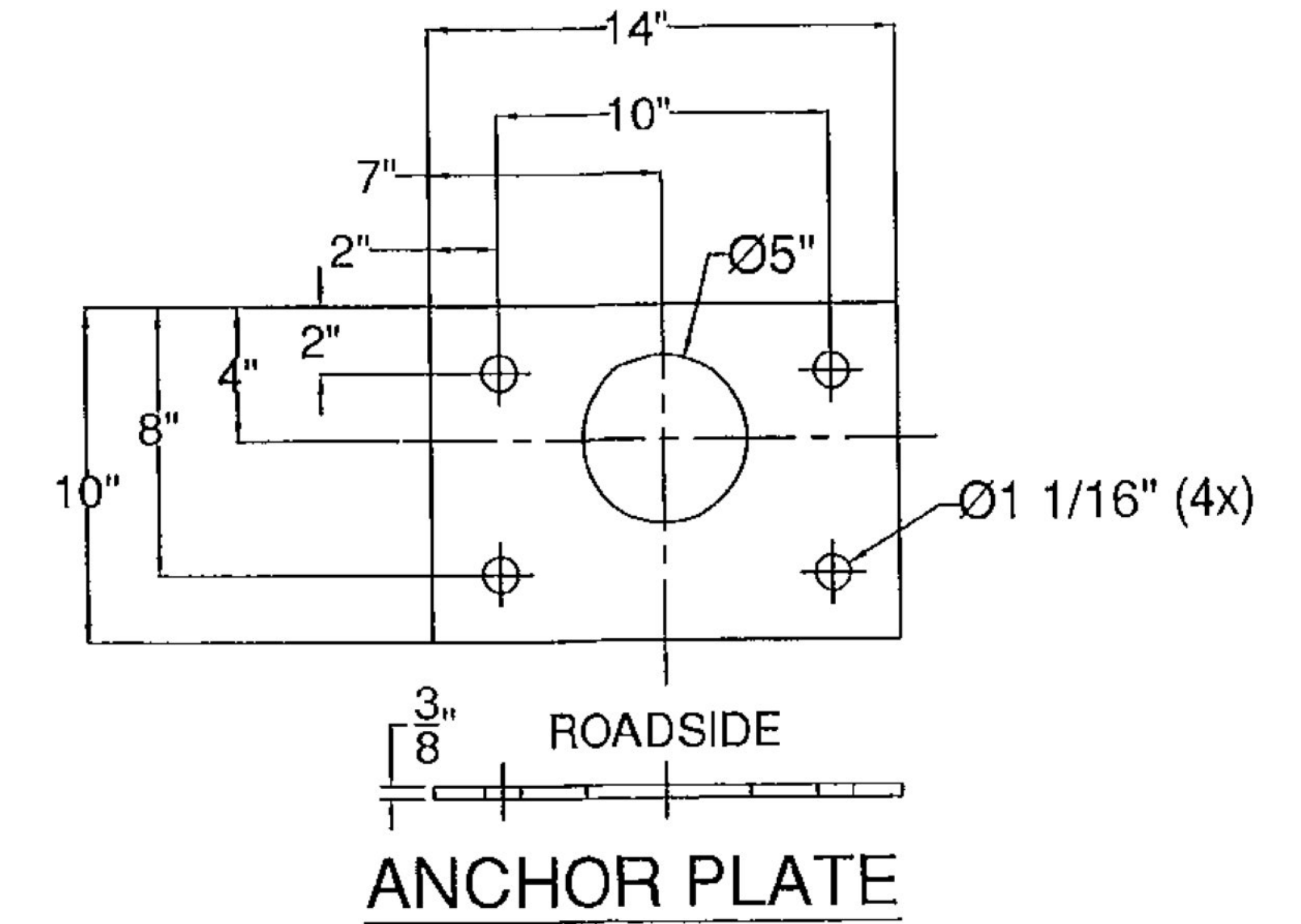


**SPLICE BAR - FIXED**



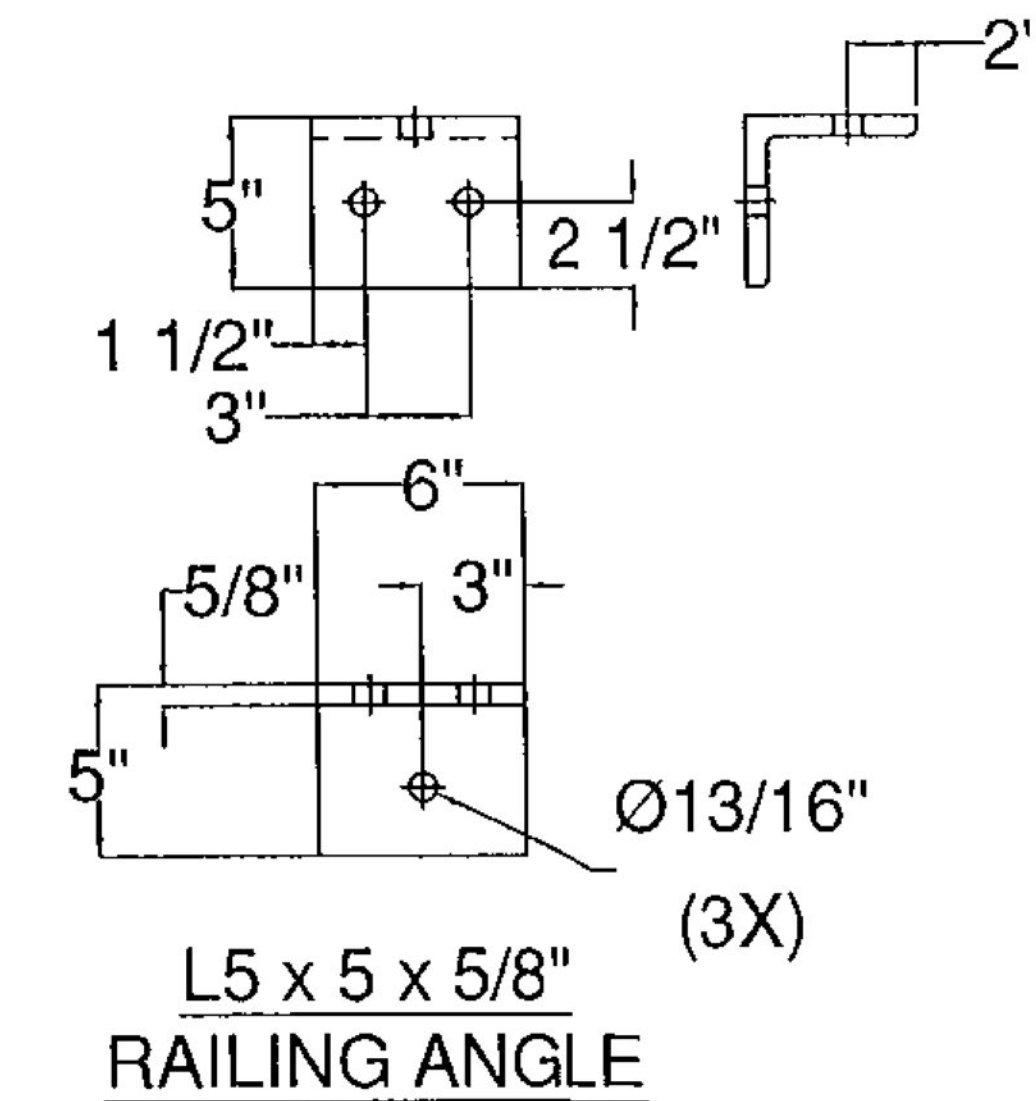
(4) 3/4" Fully Threaded Bolts, 4 1/2" Long (ASTM A325, TYPE 1) 2 Washers and a Heavy Hex Nut on each Bolt. Nut to be Finger Tight and the First Thread below the nut to be damaged A.O.B.E.. 4 Bolts at Each Splice.



Centerline of  $\varnothing 1"$  in Top & Bottom of 6" X 6" X 3/16" Tube (Typ.)

(4) 3/4" Fully Threaded Bolts, 7 1/2" Long (ASTM A325, TYPE 1) 2 Washers and a Heavy Hex Nut on each Bolt. Nut to be Finger Tight and the First Thread below the nut to be damaged A.O.B.E.. 4 Bolts at Each Splice.

**SPLICE TUBE - FIXED**



ITEM #: 525.335

STRUCTURAL STEEL TO COMPLY W/ ASTM A6

TOLERANCE UNLESS OTHERWISE NOTED:  
FRACTIONS =  $\pm 1/16"$   
ANGLES =  $\pm 1/2"$   
DIAMETERS =  $\pm 1/32"$

**BRIDGE RAIL DETAILS SHEET**

VT ROUTE 108 (MAJOR COLLECTOR), BRIDGE # 3  
TOWN OF STOWE, COUNTY OF LAMOILLE, VT.

R NO.	DATE	DESCRIPTION	BY	R NO.	DATE	DESCRIPTION	BY

ELDERLEE, INC.	CERTIFIED FABRICATOR	DRAWN	E.P.	9/1/15
OAKS CORNERS, NEW YORK 14618	PROJECTION	CHECKED	D.L.	9/1/15
email: dlong@elderlee.com / epask@elderlee.com		APPROVED		
Tel: 315-789-6670 Fax: 315-789-6616		SCALE	SCHEMATIC	
		DRAWING NO.	F.R.L.-STOWE BRF 0235 (15)	