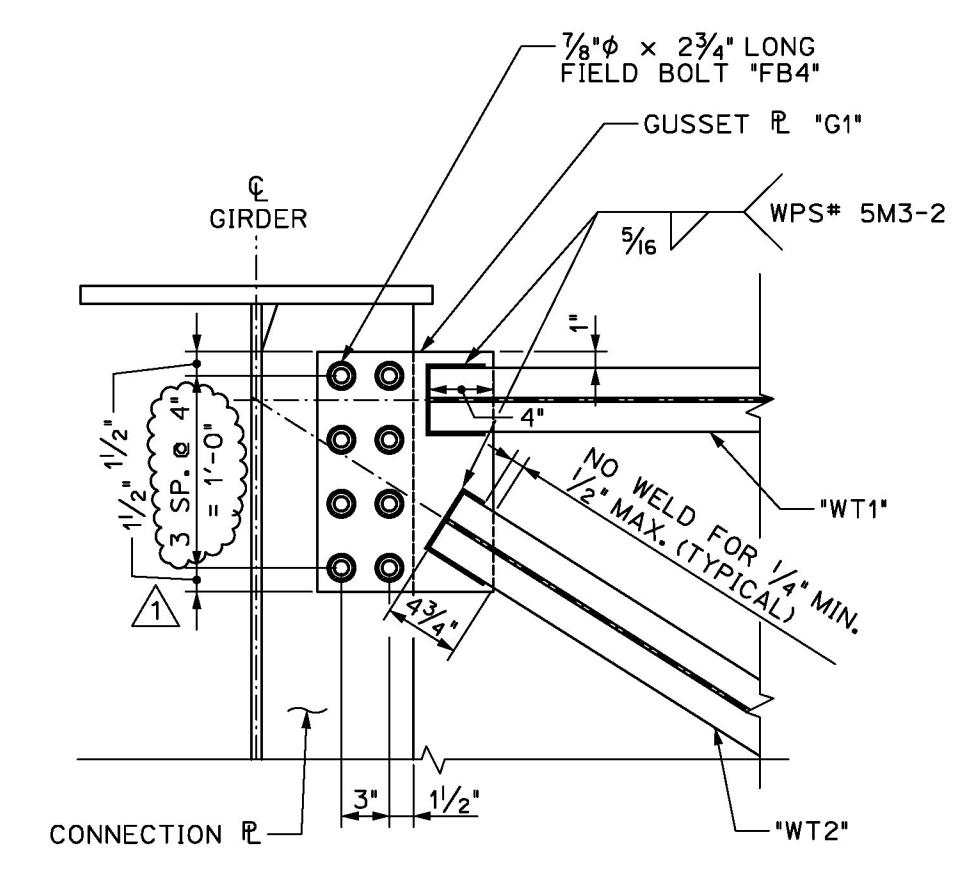
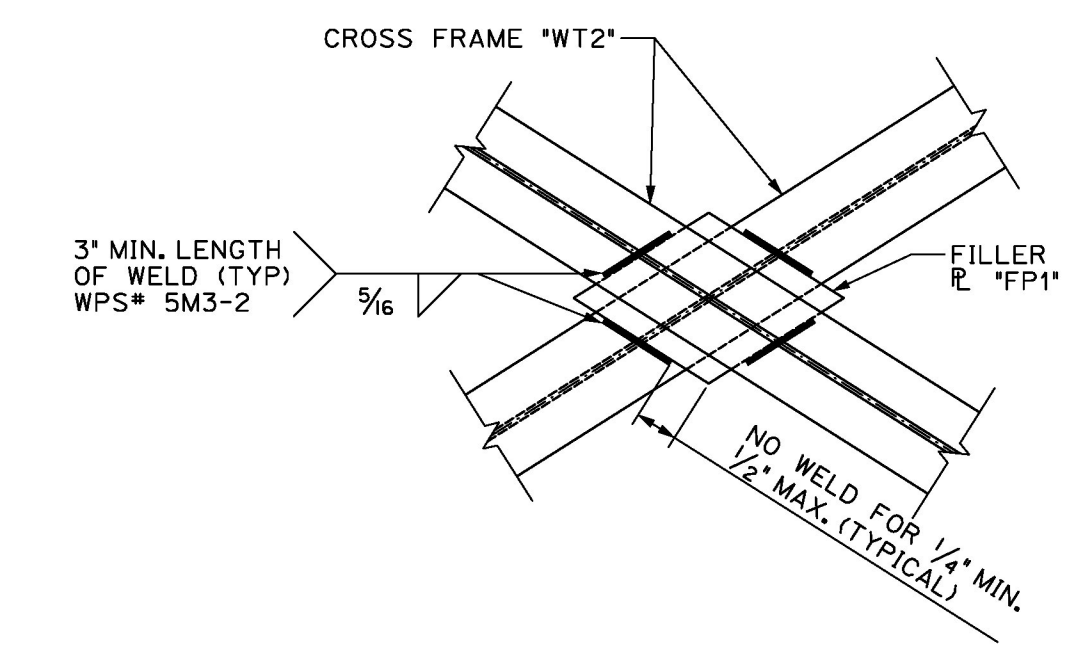


**A** TYPICAL CROSS FRAME DETAIL  
SCALE: 3/4" = 1'-0"

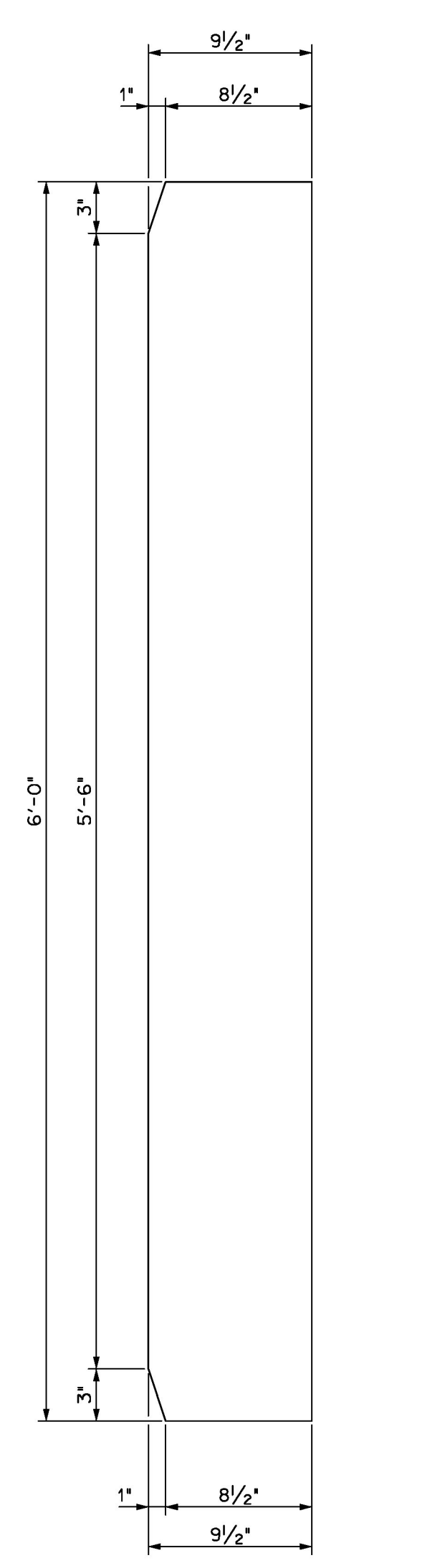


GUSSET R CONNECTION DETAIL  
SCALE: 1" = 1'-0"

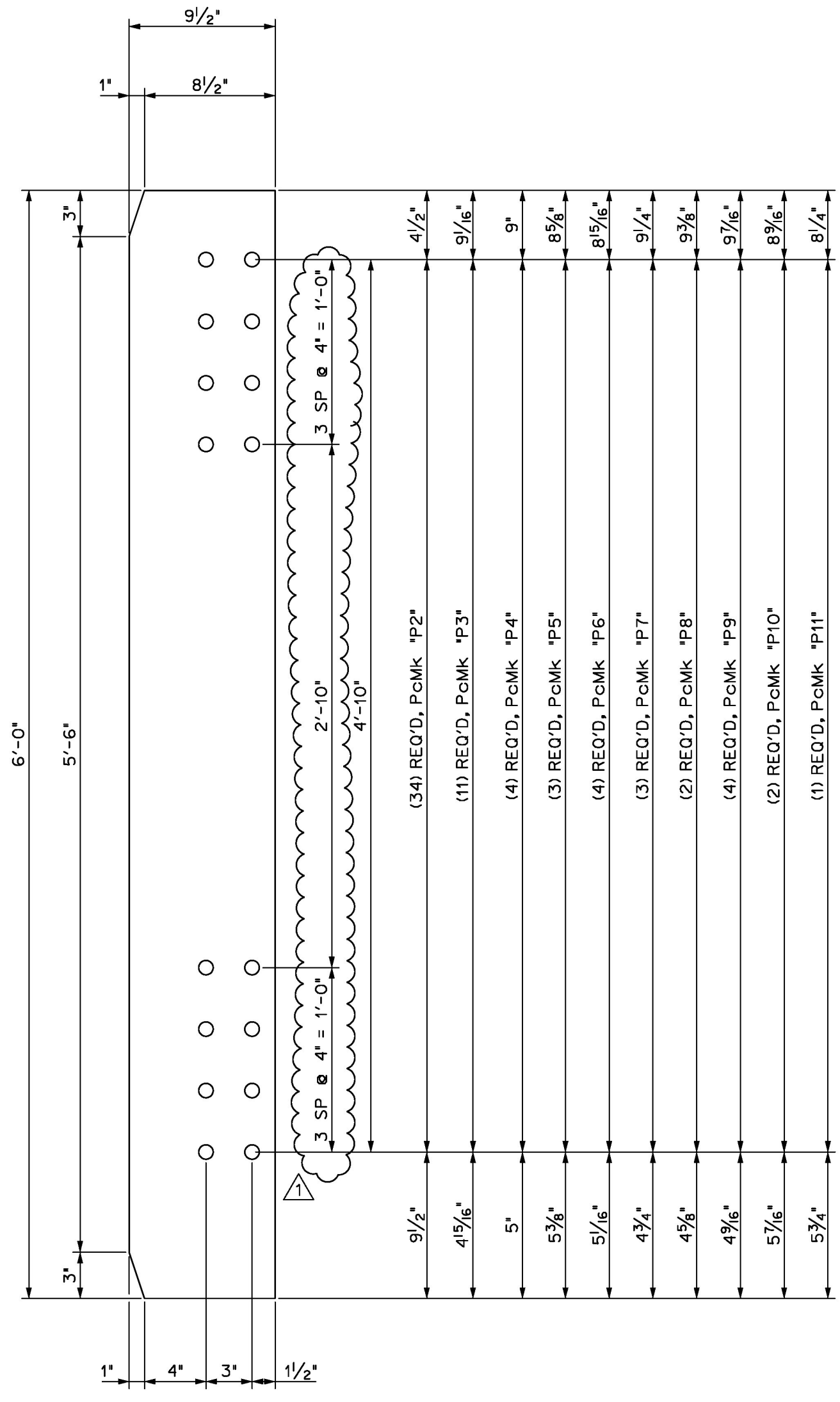


FILLER PLATE WELD DETAIL  
SCALE: 1/2" = 1'-0"

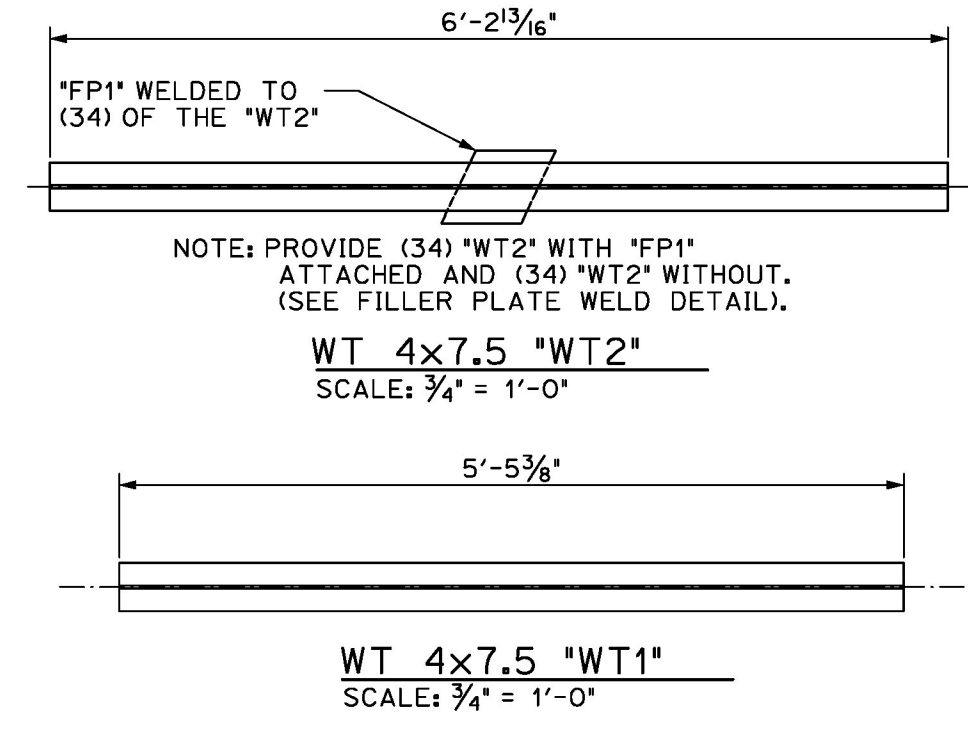
BILL OF MATERIALS						
SHIP	SHIP MARK	NO. PCS.	PIECE MARK	DESCRIPTION	LENGTH	WT. MATERIAL
34	X1			CROSS FRAME		370# EACH
		68	WT1	WT4x7.5	3'-7"	50# EACH CVN
		68	WT2	WT4x7.5	4'-1"	50# EACH CVN
		136	G1	R 5/8" x 15"	11'	35# EACH
		34	FP1	R 5/8" x 6"	9 1/2'	10# EACH
20	P1			7/8" x 9/2" BEARING STIFFENER	6'-0"	170# EACH CVN
34	P2			5/8" x 9/2" CONNECTION R	6'-0"	125# EACH CVN
11	P3			5/8" x 9/2" CONNECTION R	6'-0"	125# EACH CVN
4	P4			5/8" x 9/2" CONNECTION R	6'-0"	125# EACH CVN
3	P5			5/8" x 9/2" CONNECTION R	6'-0"	125# EACH CVN
4	P6			5/8" x 9/2" CONNECTION R	6'-0"	125# EACH CVN
3	P7			5/8" x 9/2" CONNECTION R	6'-0"	125# EACH CVN
2	P8			5/8" x 9/2" CONNECTION R	6'-0"	125# EACH CVN
4	P9			5/8" x 9/2" CONNECTION R	6'-0"	125# EACH CVN
2	P10			5/8" x 9/2" CONNECTION R	6'-0"	125# EACH CVN
1	P11			5/8" x 9/2" CONNECTION R	6'-0"	125# EACH CVN



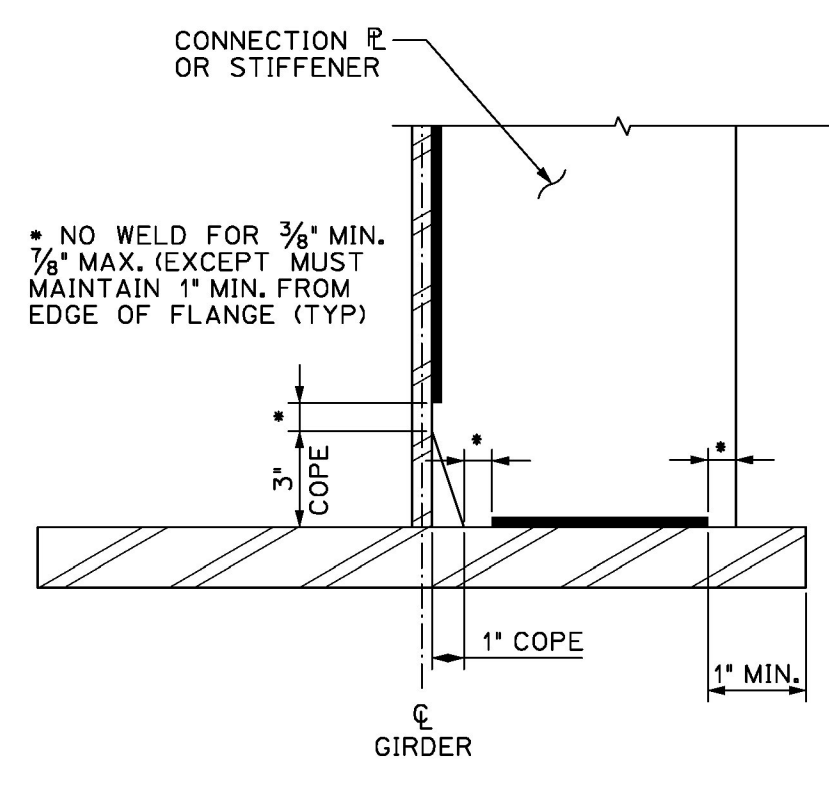
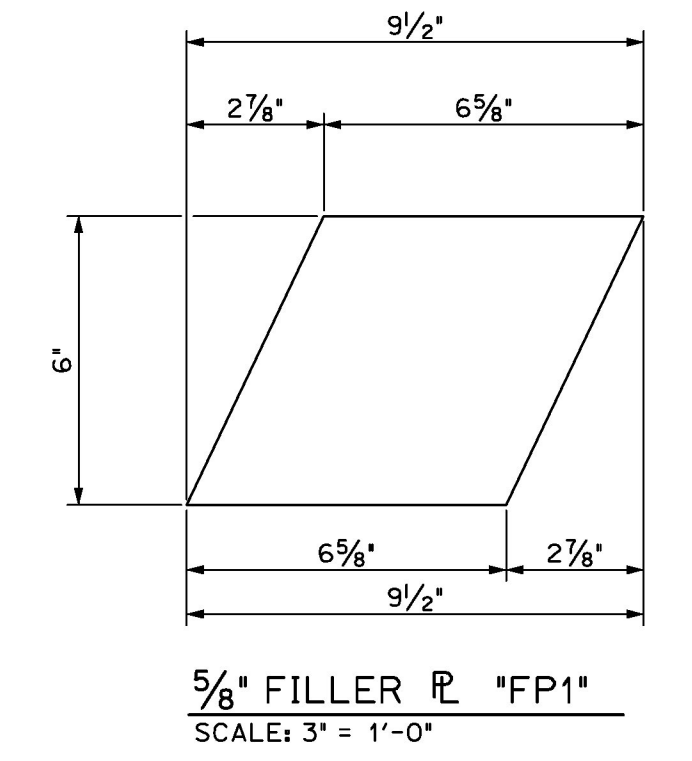
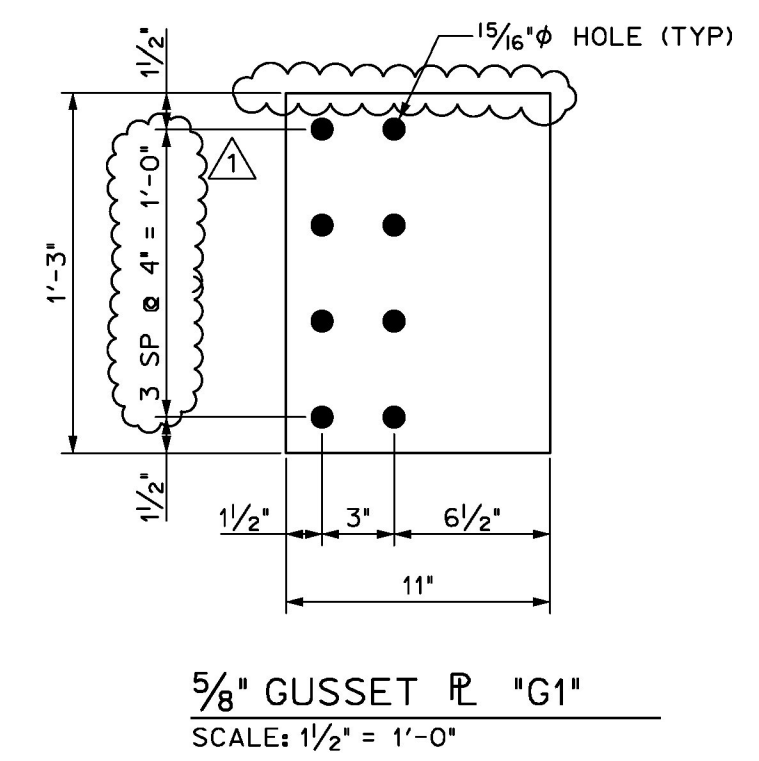
5/8" STIFFENER R, Pcmk 'P1'  
SCALE: 1/2" = 1'-0" (20 REQ'D)



5/8" CONNECTION R, Pcmk VARIES  
SCALE: 1/2" = 1'-0"



NOTE: PROVIDE (34) 'WT2' WITH 'FP1' ATTACHED AND (34) 'WT2' WITHOUT. (SEE FILLER PLATE WELD DETAIL).



WELD TERMINATION AND COPING DETAIL  
SCALE: 2" = 1'-0"

FINISH	SSPC SP10		
MATERIAL	AASHTO M270 (ASTM A709) GRADE 50W		
HOLES	15/16" DIA. (U.N.O.)		
ELECTRODES	PER WELD PROCEDURE		
WELDS	PER WELD PROCEDURE		
SURFACE PREP	SSPC SP6	NO	DATE
		11/16/15	CHANGED GUSSET PLATE
			DESCRIPTION
			BY
REVISIONS			
		<b>ADVANCED RESOURCES &amp; CONST. ENTERPRISES, INCORPORATED</b> P.O. BOX 120 KINGFIELD, ME. 04947 PHONE: (207) 265-2646 - FAX: (207) 265-4054	
DRAFTER	DLM	MISCELLANEOUS DETAILS	PROJECT NO.
DATE	OCT. 2015	STOWE, VT., Route 108 (Major Collector) Bridge No. 3	15-144
CHECKED	JWH	Project No. BRF 0235(15)	DWG. NO.
DATE	OCT. 2015	CCS CONSTRUCTORS, INC.	M2