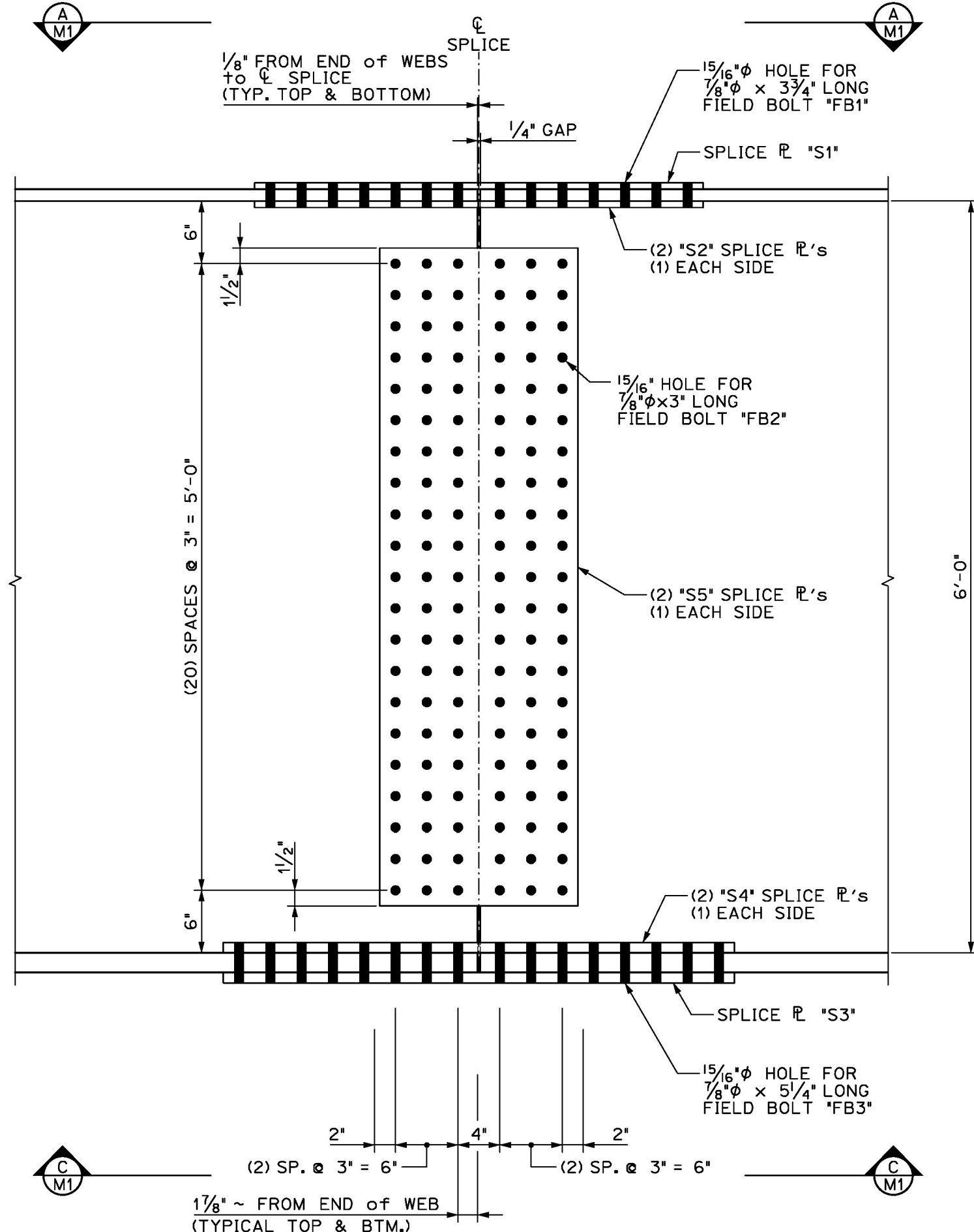
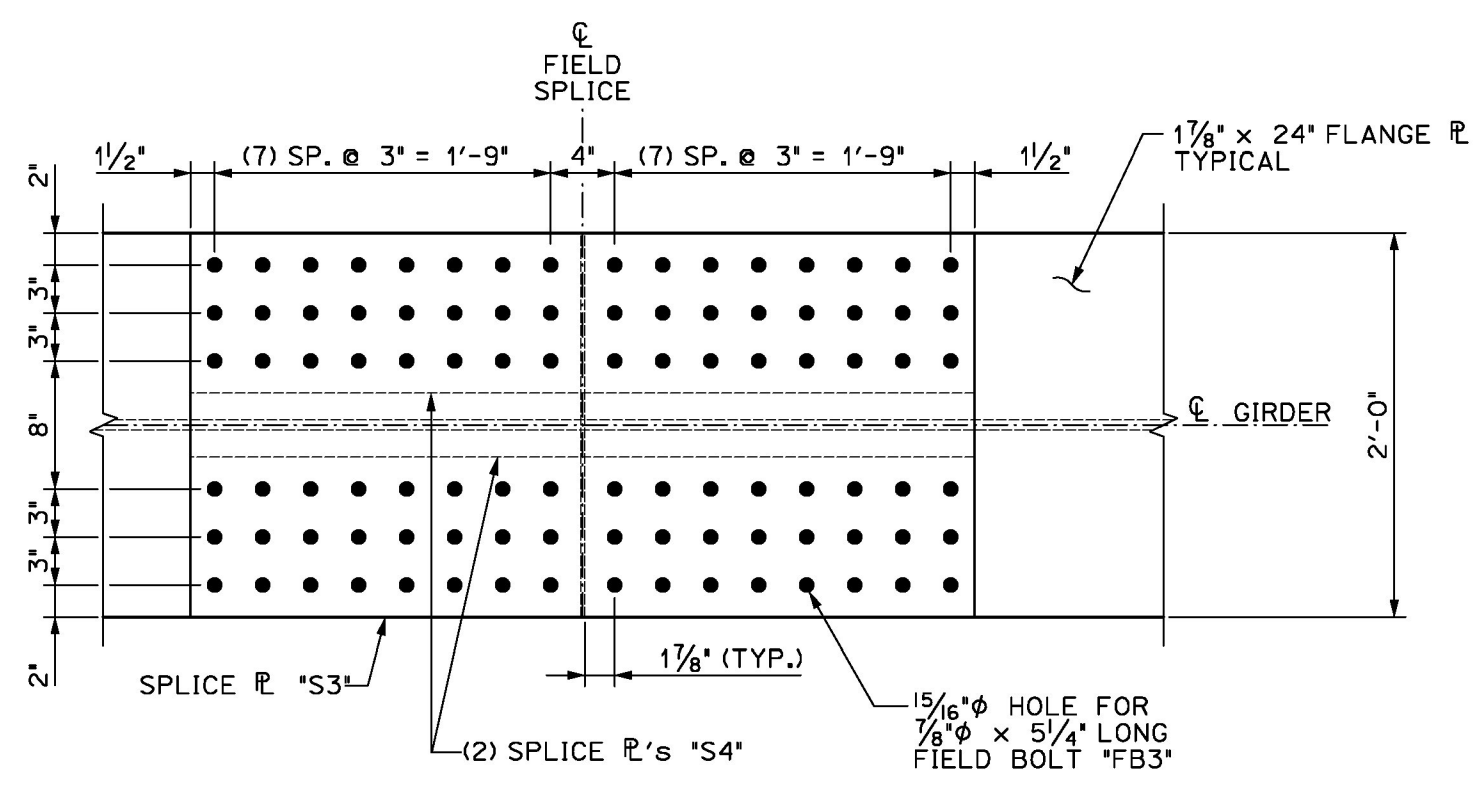


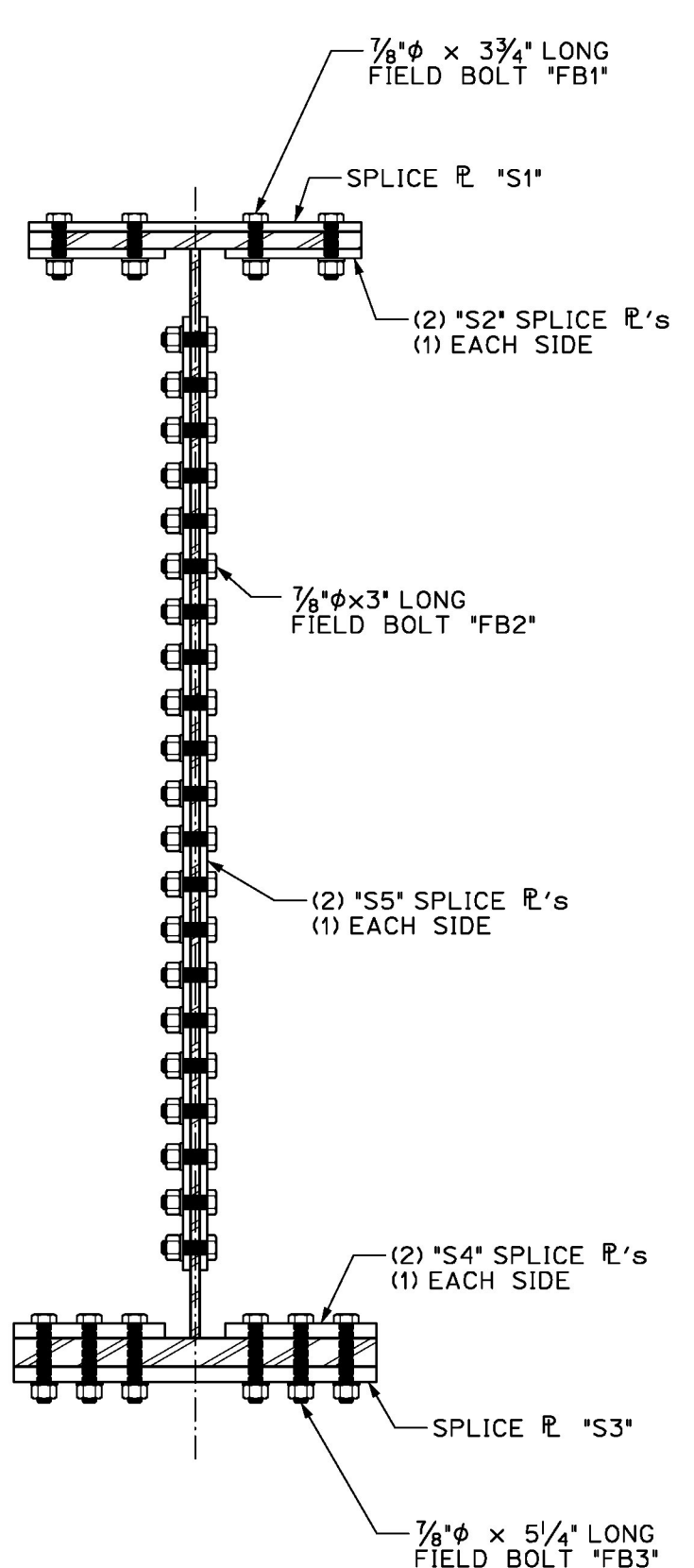
A TOP FLANGE FIELD SPLICE
M1 SCALE: 1" = 1'-0"



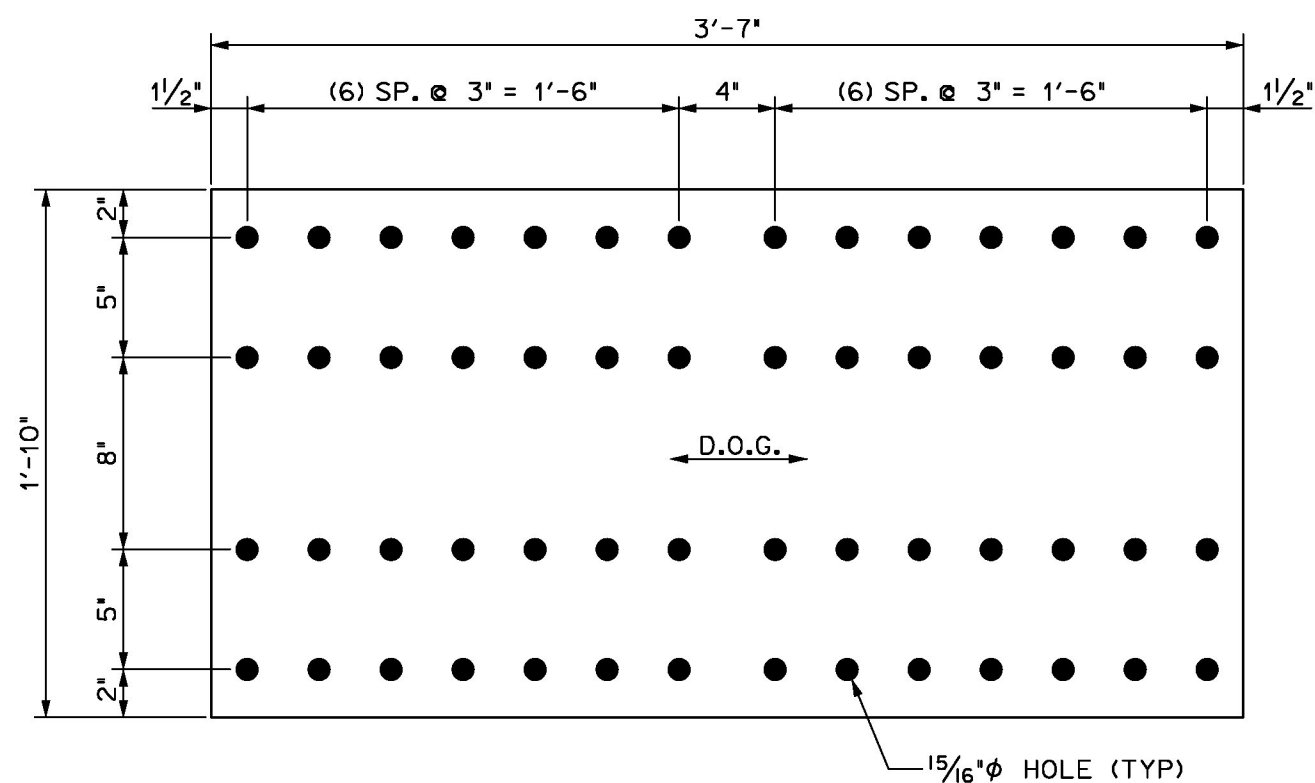
B WEB FIELD SPLICE
M1 SCALE: 1" = 1'-0"



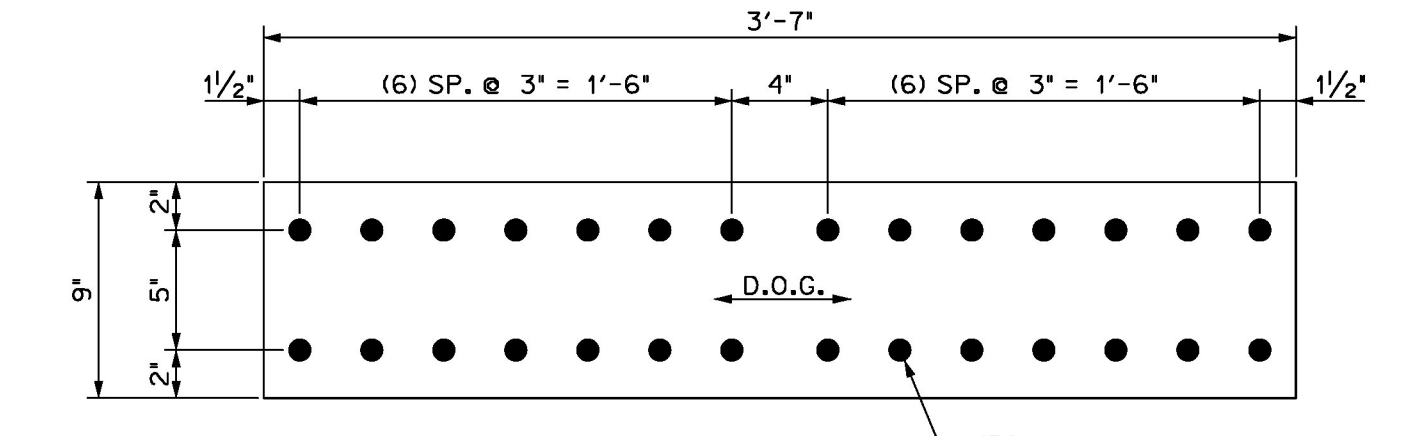
C BOTTOM FLANGE FIELD SPLICE
M1 SCALE: 1" = 1'-0"



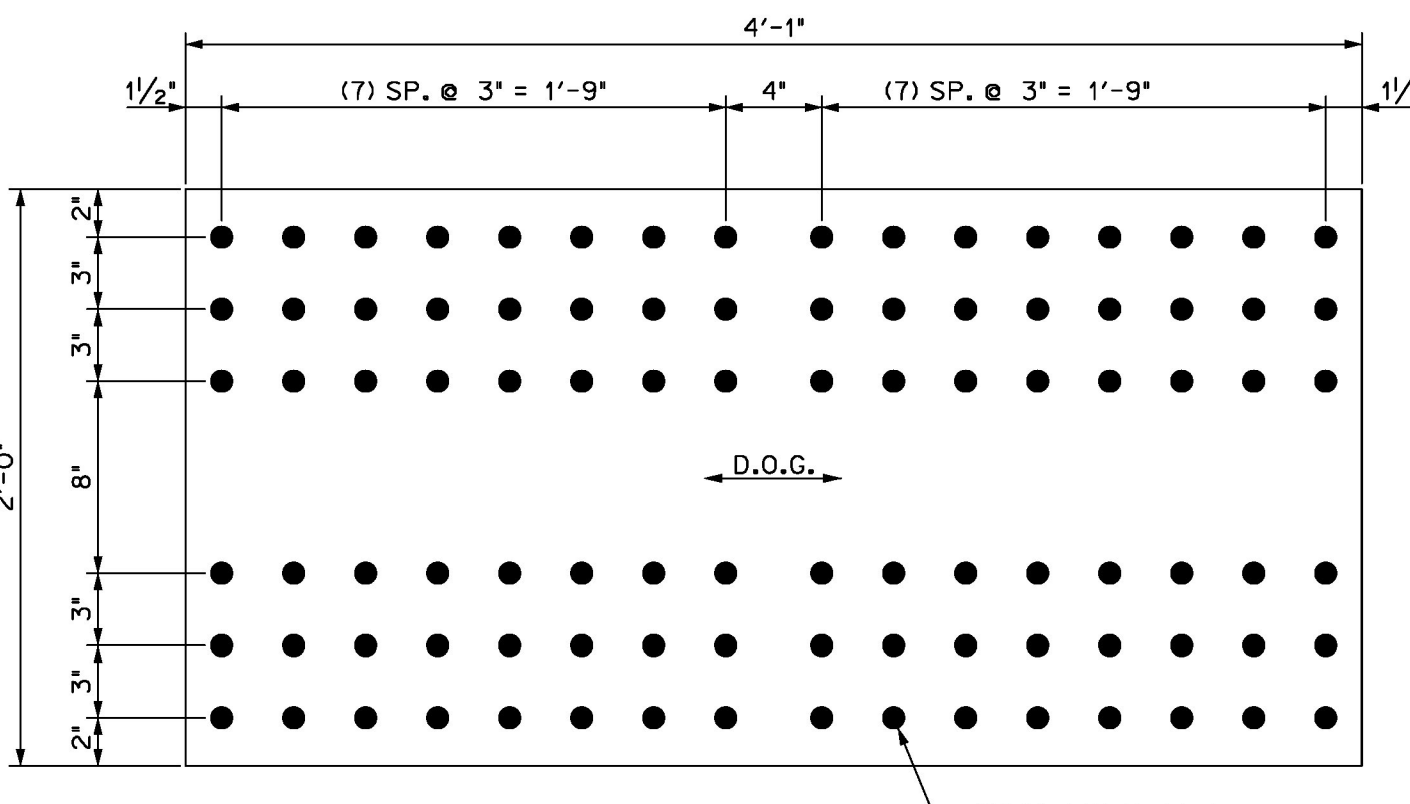
D END OF GIRDER DETAIL
M1 SCALE: 1/2" = 1'-0"



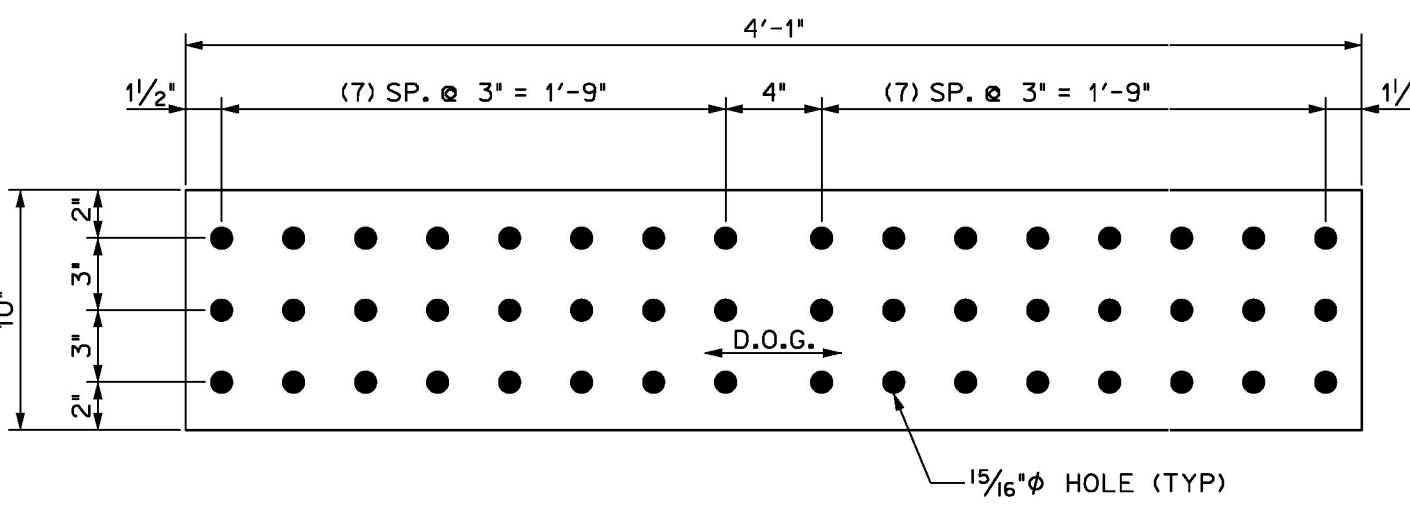
5/8\"/>



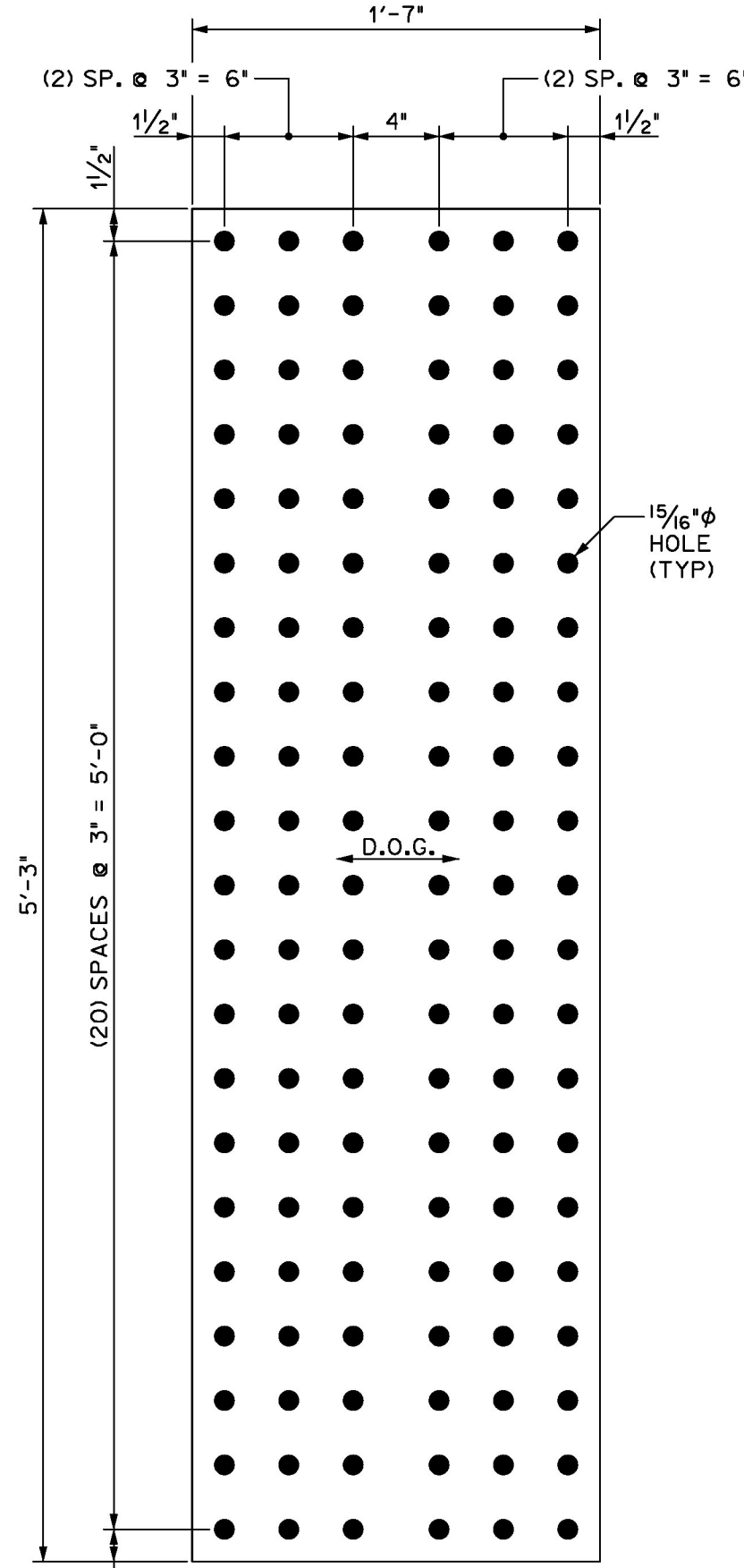
5/8\"/>



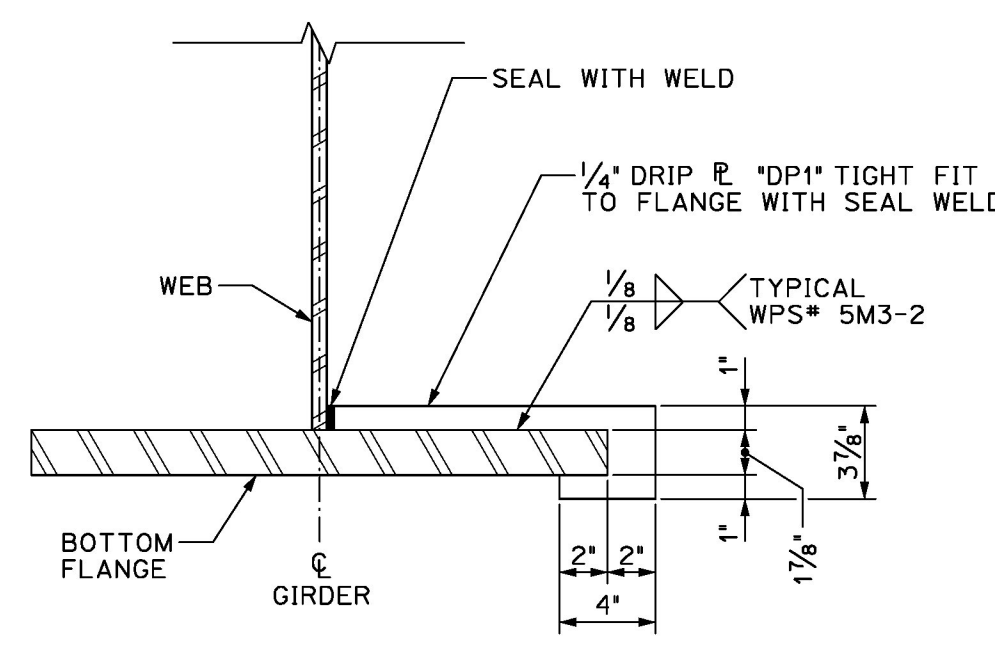
1\"/>



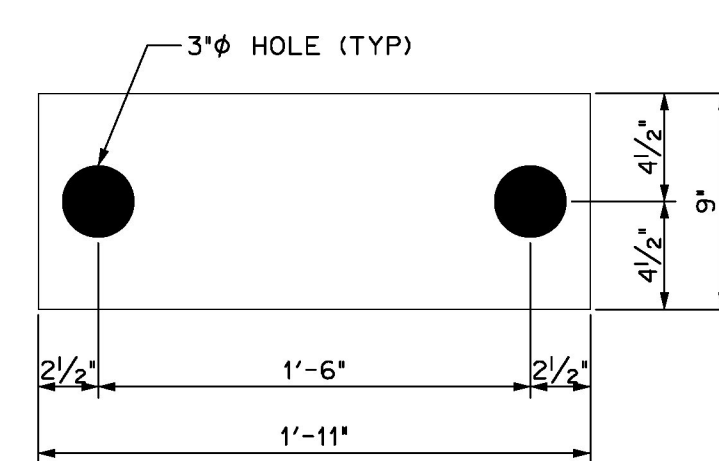
1\"/>



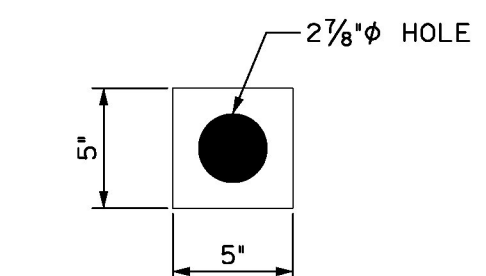
1/2\"/>



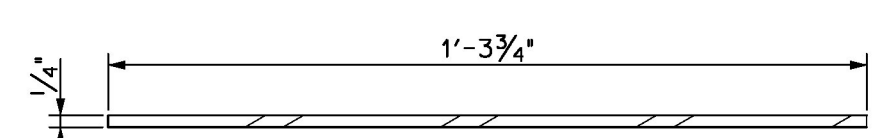
X DRIP PLATE SECTION
M1 SCALE: 1/2" = 1'-0"



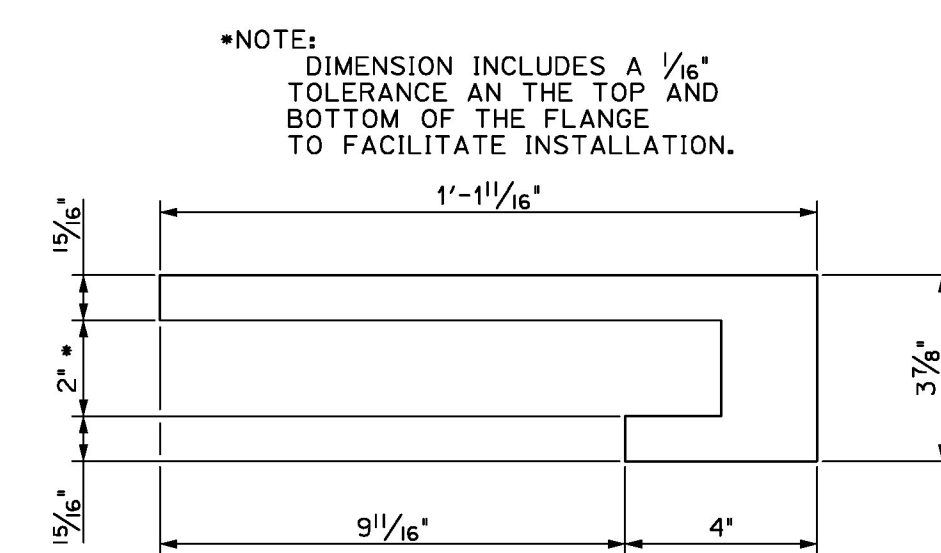
1 5/8\"/>



1/2\"/>



DP1\"/>



DP1\"/>

COMPLETE BOLT SCHEDULE				
NO. BOLTS	PIECE MARK	LENGTH	DESCRIPTION	LOCATION
280	FB1	3 3/4"	7/8" φ BOLT w/N&W (WEATHERING) AASHTO M164, TYPE 3	TOP FLANGE AT FIELD SPLICE
630	FB2	3"	7/8" φ BOLT w/N&W (WEATHERING) AASHTO M164, TYPE 3	WEB AT FIELD SPLICE
480	FB3	5 1/4"	7/8" φ BOLT w/N&W (WEATHERING) AASHTO M164, TYPE 3	BOTTOM FLANGE AT FIELD SPLICE
1088	FB4	2 3/4"	7/8" φ BOLT w/N&W (WEATHERING) ASTM A325, TYPE 3	CONNECTION PLATES AT CROSS FRAMES
20	ANC	36"	2 1/2" φ GR55 OR HIGHER STRENGTH SWEDGED ANCHOR ROD, THREADED 18", WITH MIN. 18" EMBEDMENT, *3 NUTS PER ANCHOR ROD.*	SOLE PLATE LOCATIONS
60	N1		2 1/2" φ NUTS FOR ANCHOR ROD	SOLE PLATE LOCATIONS

BILL OF MATERIALS							
SHIP	SHIP MARK	NO. PCS.	PIECE MARK	DESCRIPTION	LENGTH	WT.	MATERIAL
5	S1			PL 5/8" x 22'	3'-7"	170# EACH	CVN
10	S2			PL 5/8" x 9'	3'-7"	70# EACH	CVN
5	S3			PL 1" x 24'	4'-1"	340# EACH	CVN
10	S4			PL 1" x 10'	4'-1"	140# EACH	CVN
10	S5			PL 1/2" x 19'	5'-3"	175# EACH	CVN
4	DP1			PL 1/4" x 3 3/8"	1'-3 3/4"	5# EACH	
10	SP1			PL 1 5/8" x 9' SOLE PLATE	1'-11"	100# EACH	
40	PW			PL 1/2" x 5' PLATE WASHER	5'	4# EACH	

FINISH: SSPC SP10
 MATERIAL: AASHTO M270 (ASTM A709) GRADE 50W
 HOLES: 15/16" DIA. (U.N.O.)
 ELECTRODES: PER WELD PROCEDURE
 WELDS: PER WELD PROCEDURE
 SURFACE PREP: SSPC SP6

NO.	DATE	DESCRIPTION	BY
REVISIONS			

ARC ENTERPRISES, INC.
 ADVANCED RESOURCES & CONST. ENTERPRISES, INCORPORATED
 P.O. BOX 120 KINGFIELD, ME. 04947
 PHONE: (207) 265-2646 - FAX: (207) 265-4054

DRAWN: DLM
 DATE: OCT. 2015
 CHECKED: JH
 DATE: OCT. 2015

MISCELLANEOUS DETAILS
 STOWE, VT., Route 108 (Major Collector) Bridge No. 3
 Project No. BRF 0235(15)

PROJECT NO. 15-144
 DWG. NO. M1

CCS CONSTRUCTORS, INC.