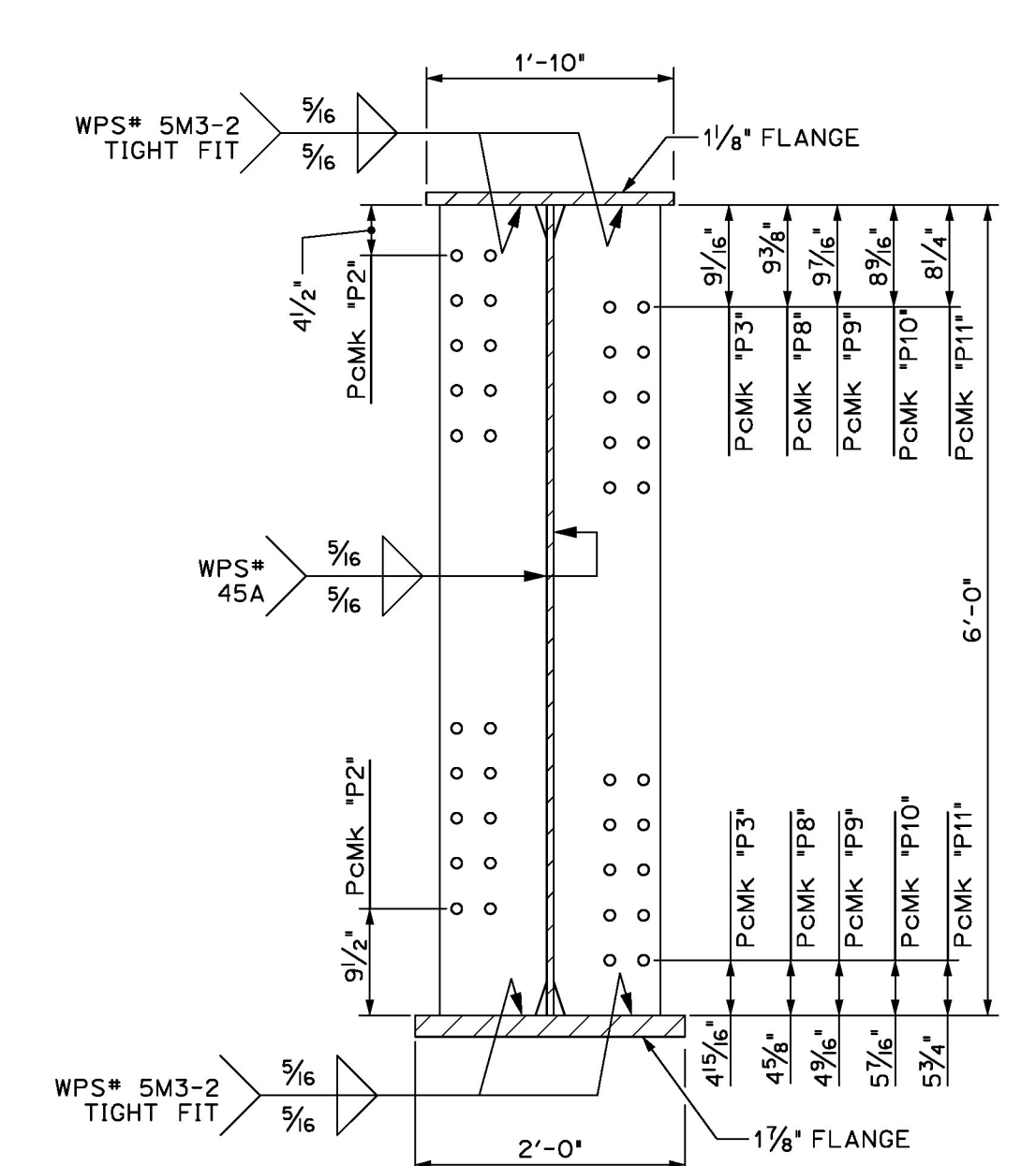
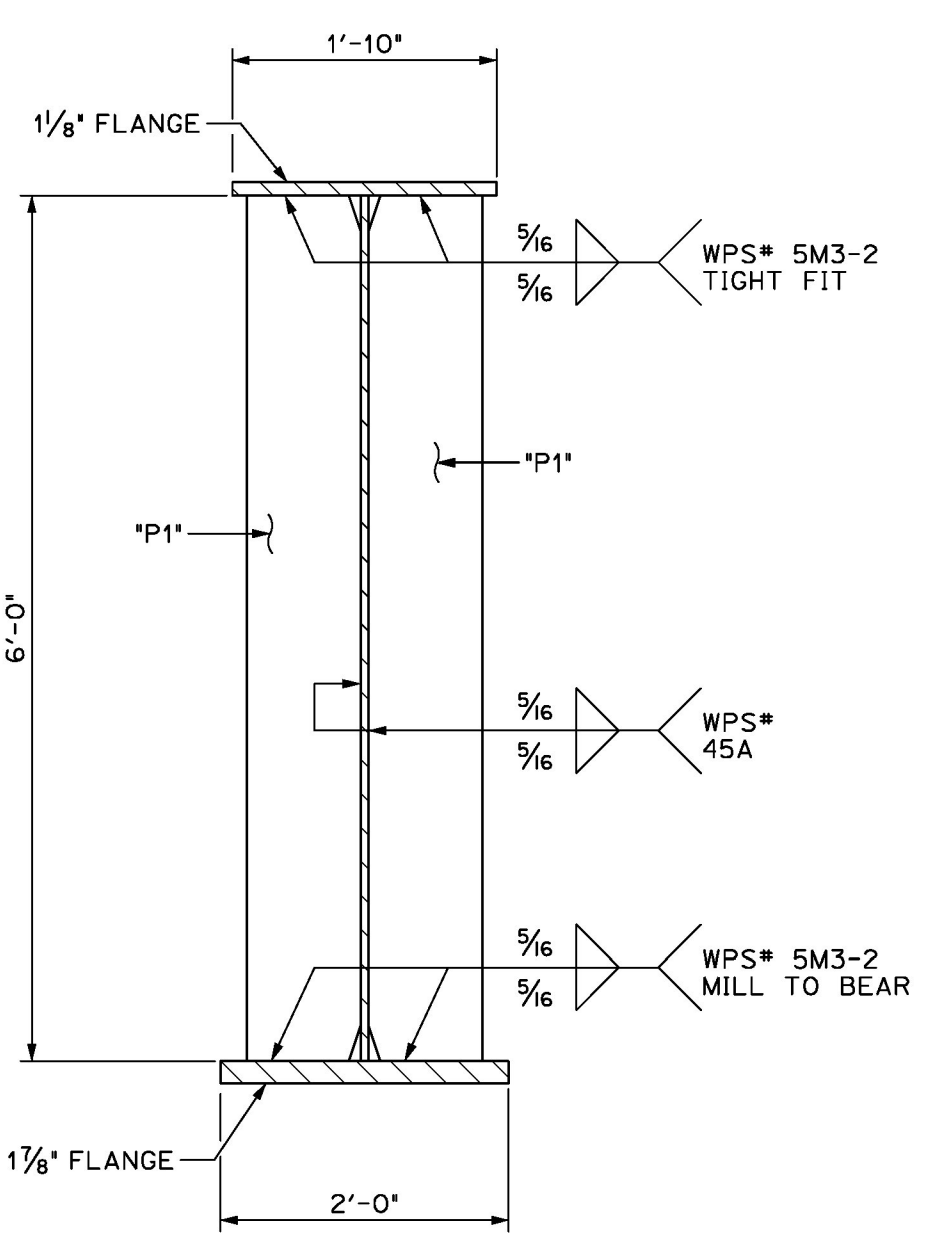
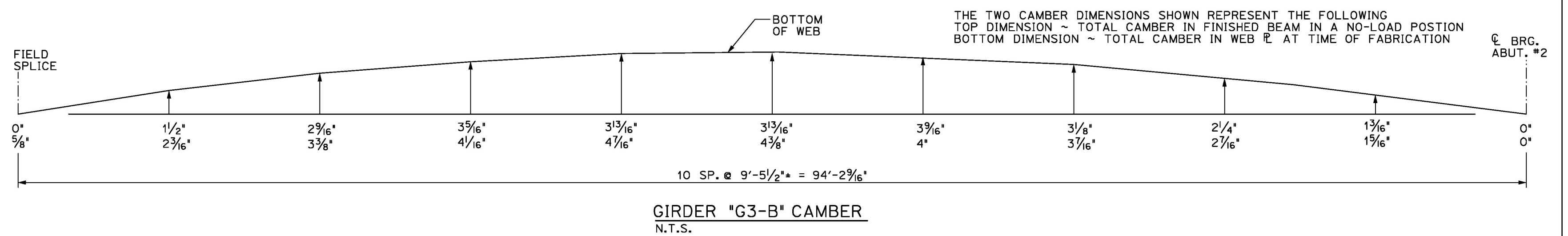


1 9 DIMENSIONAL PLANS & ELEVATIONS ~ GIRDER "G3-B"  
 HORIZONTAL SCALE: 1/4" = 1'-0"  
 VERTICAL SCALE EXAGGERATED 2:1



A 9 DIMENSIONAL SECTION  
 SCALE: 3/4" = 1'-0"

B 9 DIMENSIONAL SECTION  
 SCALE: 3/4" = 1'-0"

BILL OF MATERIALS							
SHIP	SHIP MARK	NO. PCS.	PIECE MARK	DESCRIPTION	LENGTH	WT.	MATERIAL
1	G3-B			BRIDGE GIRDER ASSEMBLY	94'-8"	39000# EACH	
		1	WP8	PL 5/8" x 72"	39'-8"	6100# EACH	CVN
		1	WP9	PL 5/8" x 72"	55'-0"	8500# EACH	CVN
		1	TF8	PL 1/8" x 22"	55'-1 1/8"	4700# EACH	CVN
		1	TF9	PL 1/8" x 22"	39'-7 3/8"	3500# EACH	CVN
		1	BF8	PL 1 7/8" x 24"	55'-0"	8500# EACH	CVN
		1	BF9	PL 1 7/8" x 24"	39'-7 3/8"	6100# EACH	CVN
		2	P1	SEE SHEET M2			
		5	P2	SEE SHEET M2			
		1	P3	SEE SHEET M2			
		1	P8	SEE SHEET M2			
		1	P9	SEE SHEET M2			
		1	P10	SEE SHEET M2			
		1	P11	SEE SHEET M2			

FINISH	N/A
MATERIAL	SEE DETAIL SHEETS
HOLES	
ELECTRODES	PER WELD PROCEDURE
WELDS	PER WELD PROCEDURE
SURFACE PREP	
NO DATE DESCRIPTION BY	
REVISIONS	
<b>ADVANCED RESOURCES &amp; CONST. ENTERPRISES, INCORPORATED</b> P.O. BOX 120 KINGFIELD, ME. 04947 PHONE: (207) 265-2646 - FAX: (207) 265-4054	
DRAFTER	DLM
DATE	OCT. 2015
CHECKED	JUH
DATE	OCT. 2015
GIRDER G3-B	
STOWE, VT. Route 108 (Major Collector) Bridge No. 3	
Project No. BRP-0235(15)	
CCS CONSTRUCTORS, INC.	
PROJECT NO.	15-144
DWG. NO.	09