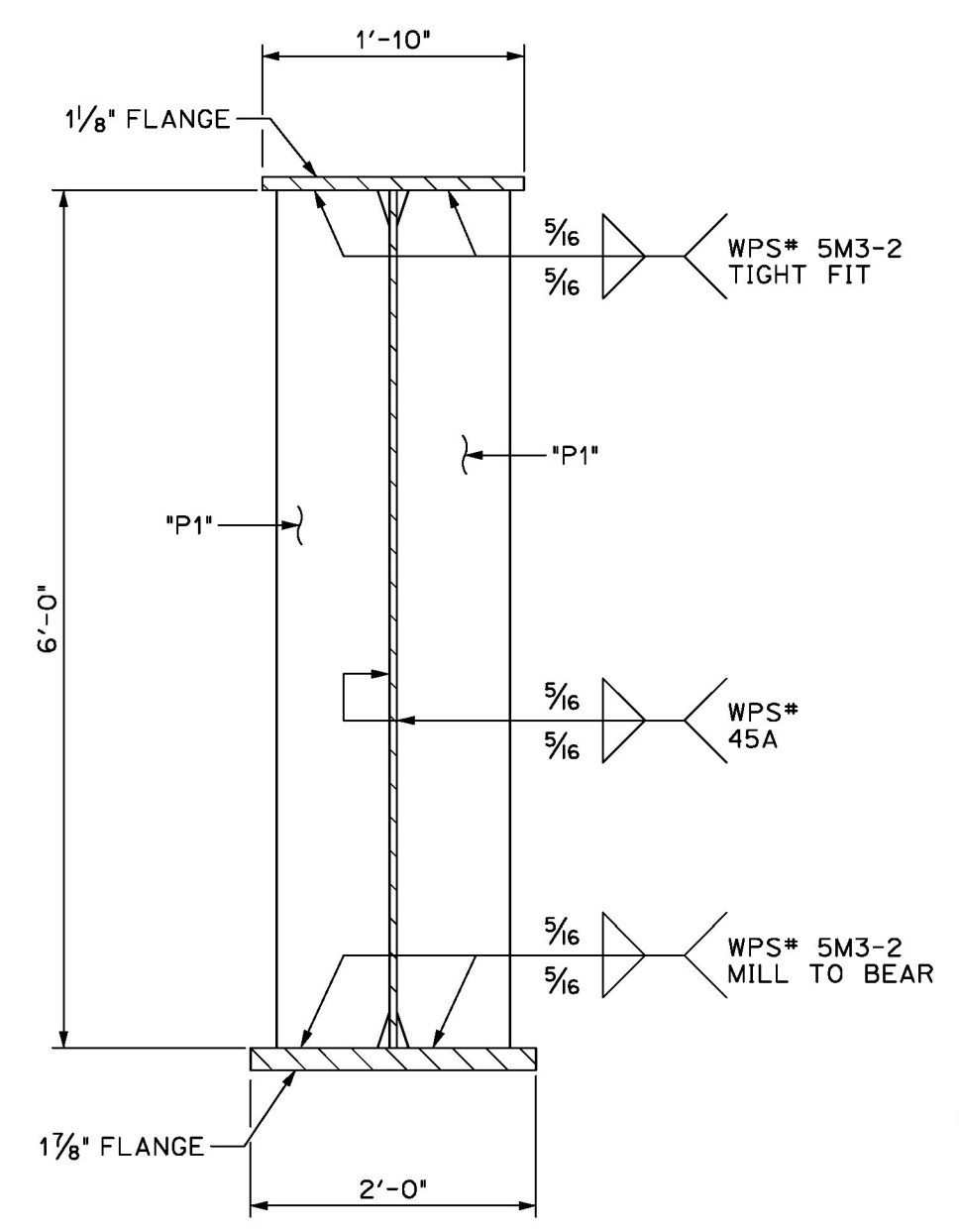
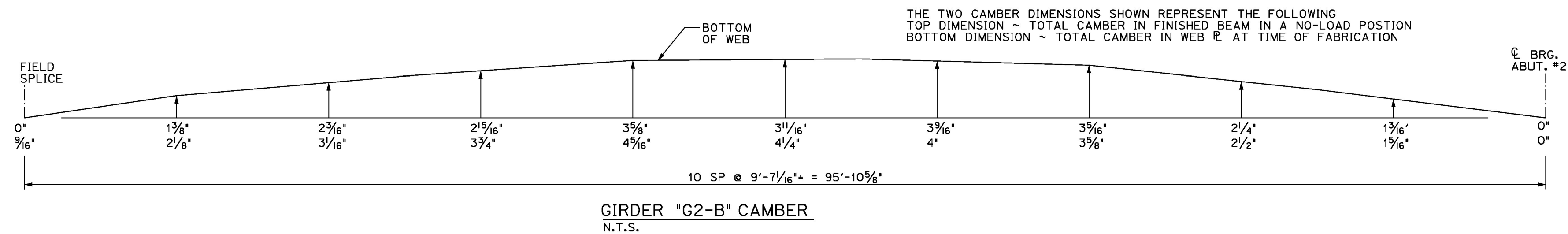
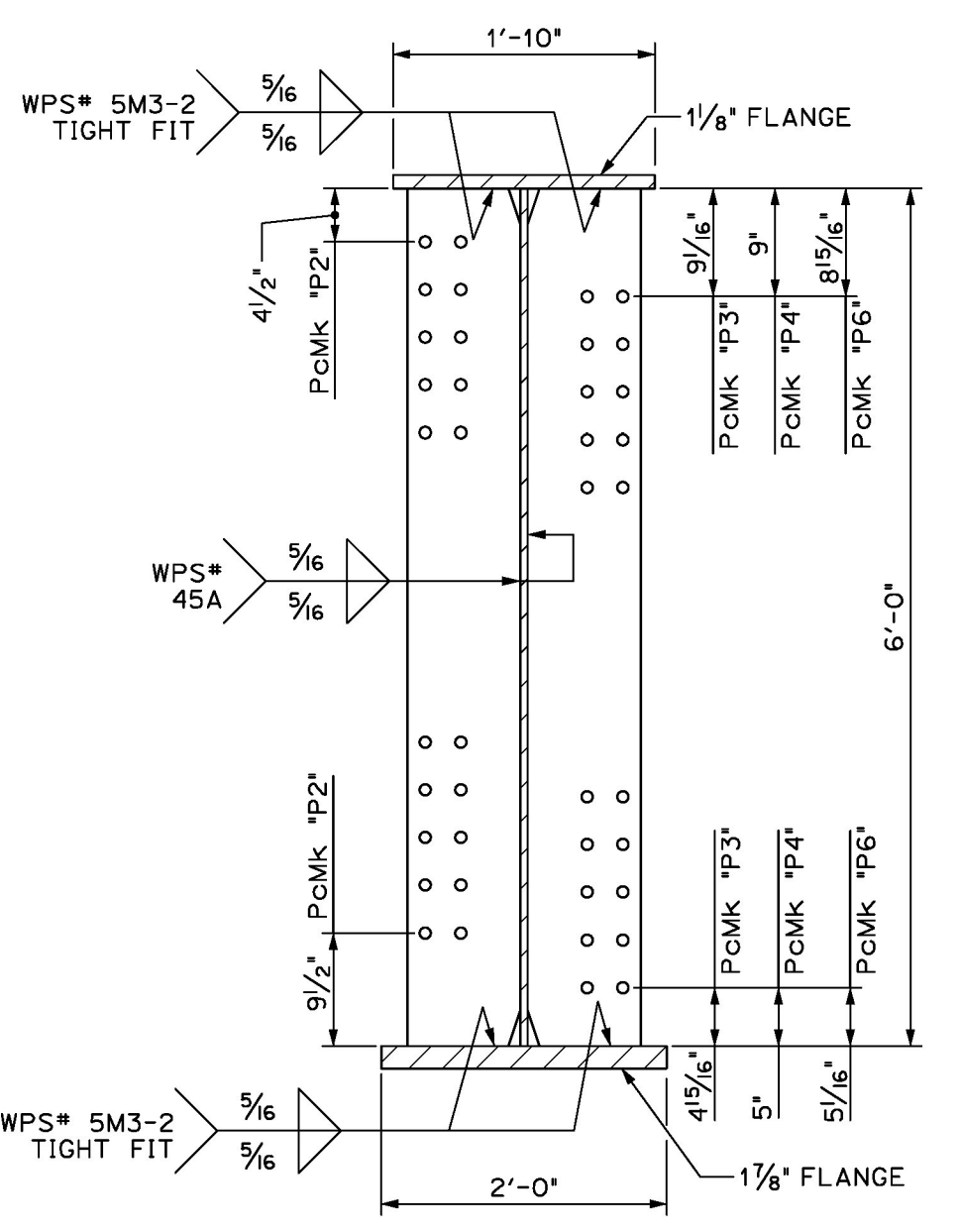


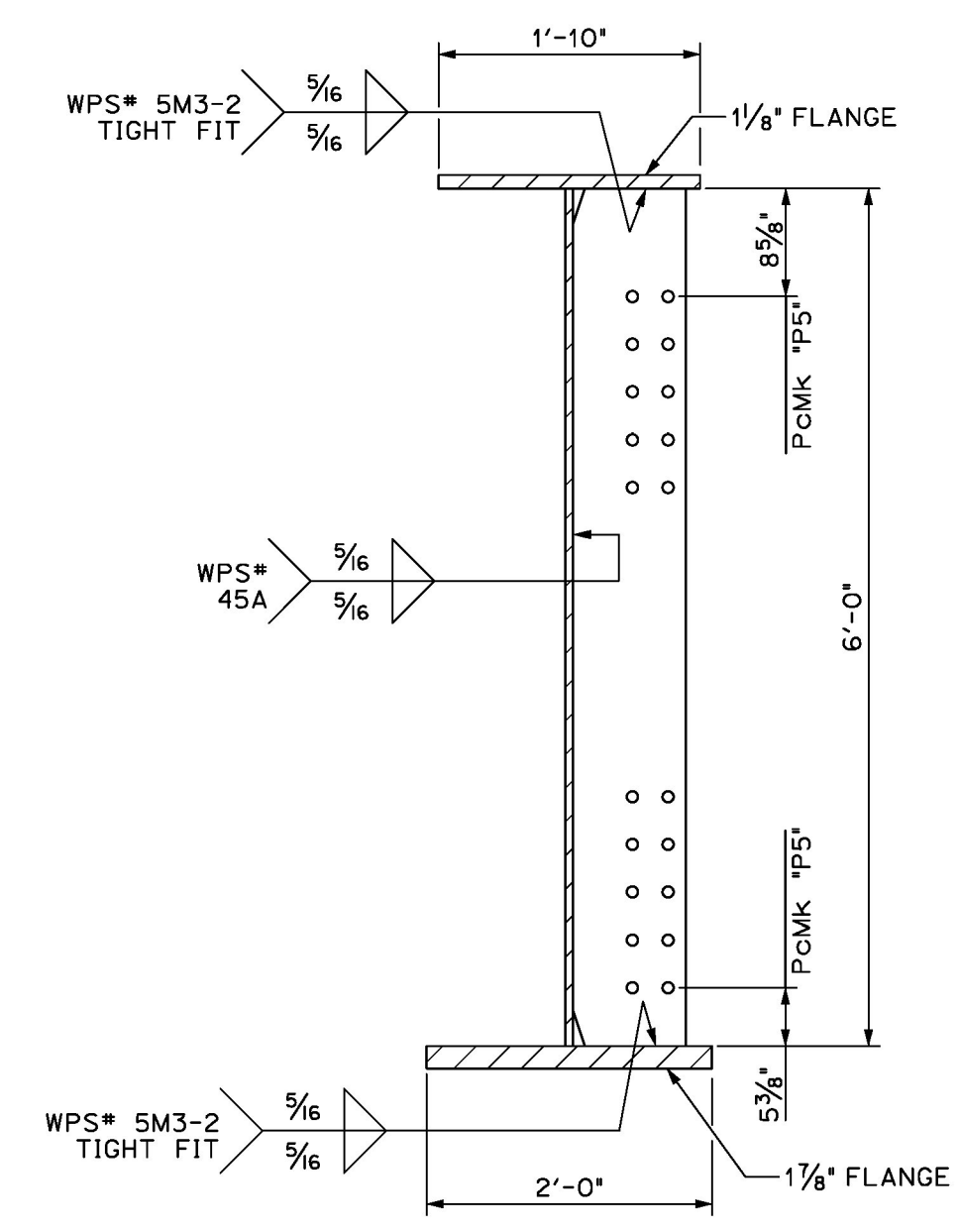
1 DIMENSIONAL PLANS & ELEVATIONS ~ GIRDER "G2-B"  
 8 HORIZONTAL SCALE: 1/4" = 1'-0"  
 VERTICAL SCALE EXAGGERATED 2x1



A DIMENSIONAL SECTION  
 8 SCALE: 3/4" = 1'-0"



B DIMENSIONAL SECTION  
 8 SCALE: 3/4" = 1'-0"



C DIMENSIONAL SECTION  
 8 SCALE: 3/4" = 1'-0"

BILL OF MATERIALS							
SHIP	SHIP MARK	NO. PCS.	PIECE MARK	DESCRIPTION	LENGTH	WT.	MATERIAL
1	G2-B			BRIDGE GIRDER ASSEMBLY	96'-4"	39500# EACH	
		1	WP4	PL 5/8" x 72"	41'-4"	6500# EACH	CVN
		1	WP5	PL 5/8" x 72"	55'-0"	8500# EACH	CVN
		1	TF4	PL 1/8" x 22"	55'-0 1/2"	4800# EACH	CVN
		1	TF5	PL 1/8" x 22"	41'-3 3/8"	3600# EACH	CVN
		1	BF4	PL 1 1/8" x 24"	55'-0"	8500# EACH	CVN
		1	BF5	PL 1 1/8" x 24"	41'-3 1/4"	6500# EACH	CVN
		2	P1	SEE SHEET M2			
		5	P2	SEE SHEET M2			
		3	P3	SEE SHEET M2			
		1	P4	SEE SHEET M2			
		1	P5	SEE SHEET M2			
		1	P6	SEE SHEET M2			

FINISH	N/A
MATERIAL	SEE DETAIL SHEETS
HOLES	
ELECTRODES	PER WELD PROCEDURE
WELDS	PER WELD PROCEDURE
SURFACE PREP	
NO DATE DESCRIPTION BY	
REVISIONS	
<b>ADVANCED RESOURCES &amp; CONST. ENTERPRISES, INCORPORATED</b> P.O. BOX 120 KINGFIELD, ME. 04947 PHONE: (207) 265-2646 - FAX: (207) 265-4054	
DRAFTER	DLM
DATE	OCT. 2015
CHECKED	JUH
DATE	OCT. 2015
GIRDER G2-B	
STOWE, VT. Route 108 (Major Collector) Bridge No. 3	
Project No. BRP 0235(15)	
CCS CONSTRUCTORS, INC.	
PROJECT NO.	15-144
DWG. NO.	08