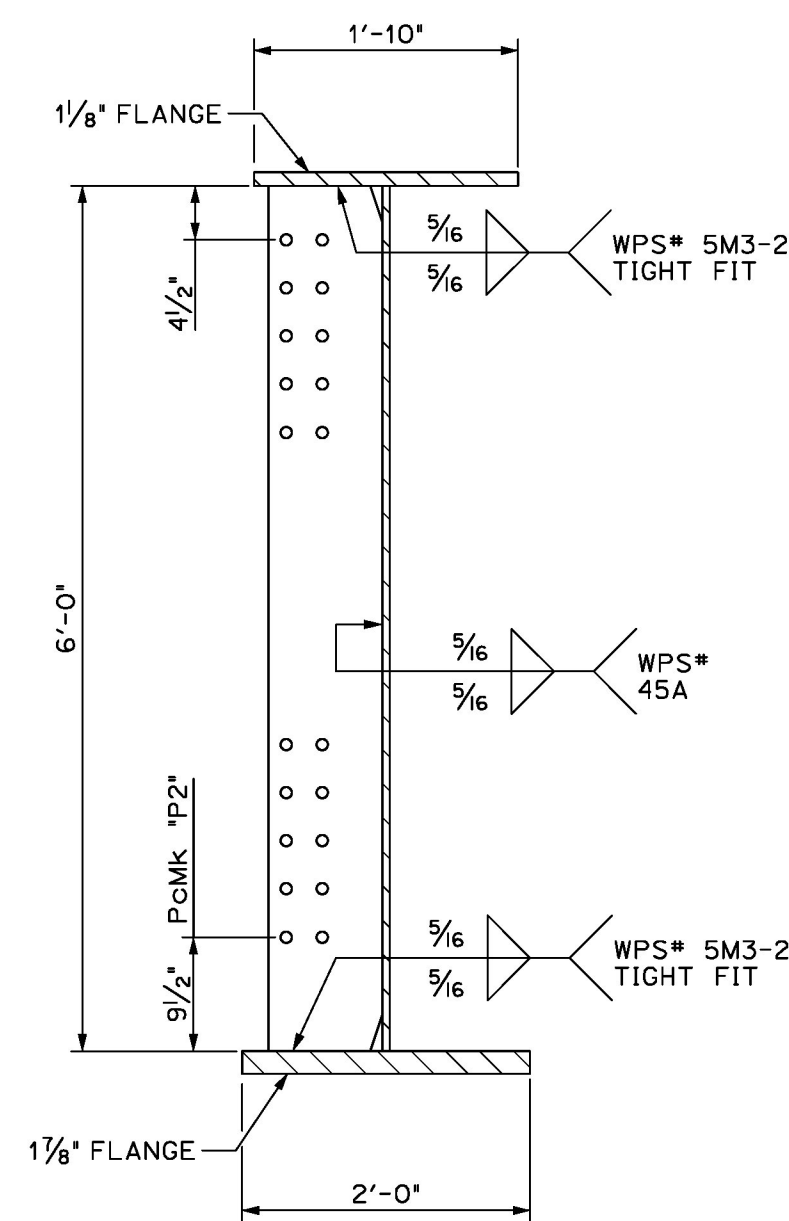
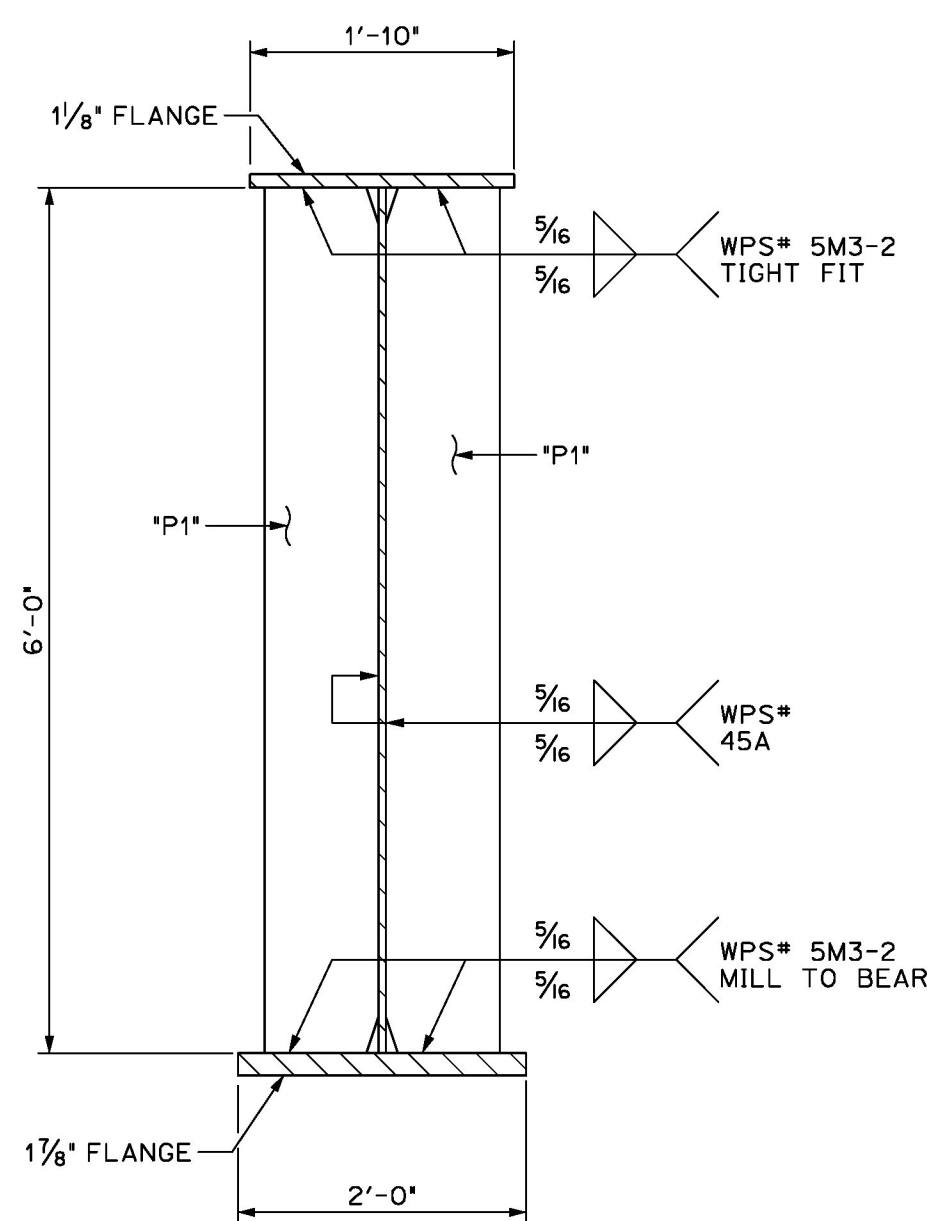
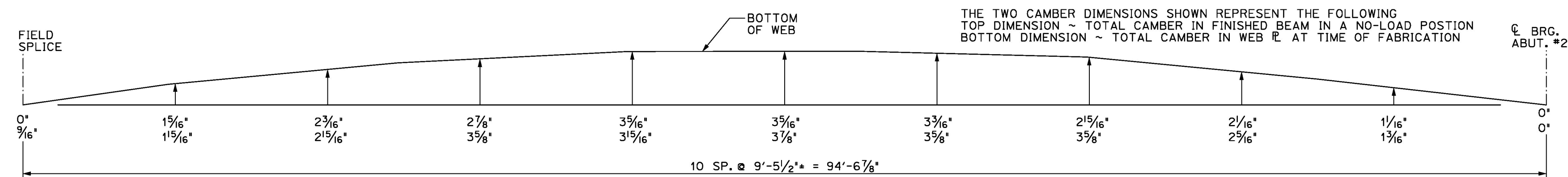


1 DIMENSIONAL PLANS & ELEVATIONS ~ GIRDER "G1-B"
 7 HORIZONTAL SCALE: 1/4" = 1'-0"
 VERTICAL SCALE EXAGGERATED 2:1



BILL OF MATERIALS							
SHIP	SHIP MARK	NO. PCS.	PIECE MARK	DESCRIPTION	LENGTH	WT.	MATERIAL
1	G1-B			BRIDGE GIRDER ASSEMBLY	95'-0 1/4"	39000# EACH	
		1	WP2	R 5/8" x 72'	40'-0 1/8"	6200# EACH	CVN
		1	WP3	R 5/8" x 72'	55'-0"	8500# EACH	CVN
		1	TF2	R 1 1/8" x 22'	55'-0 7/8"	4700# EACH	CVN
		1	TF3	R 1 1/8" x 22'	39'-11 3/8"	3400# EACH	CVN
		1	BF2	R 1 1/8" x 24'	55'-0"	8500# EACH	CVN
		1	BF3	R 1 1/8" x 24'	39'-11 3/8"	6200# EACH	CVN
		1	DP1	SEE SHEET M1			
		2	P1	SEE SHEET M2			
		6	P2	SEE SHEET M2			

REVISIONS			
NO	DATE	DESCRIPTION	BY

		ADVANCED RESOURCES & CONST. ENTERPRISES, INCORPORATED P.O. BOX 120 KINGFIELD, ME. 04947 PHONE: (207) 265-2646 - FAX: (207) 265-4054	
DRAFTER	DLM	GIRDER G1-B	PROJECT NO. 15-144
DATE	OCT. 2015	STOWE, VT, Route 108 (Major Collector) Bridge No. 3	DWG. No.
CHECKED	JUH	Project No. BRP-0235(15)	07
DATE	OCT. 2015	CCS CONSTRUCTORS, INC.	