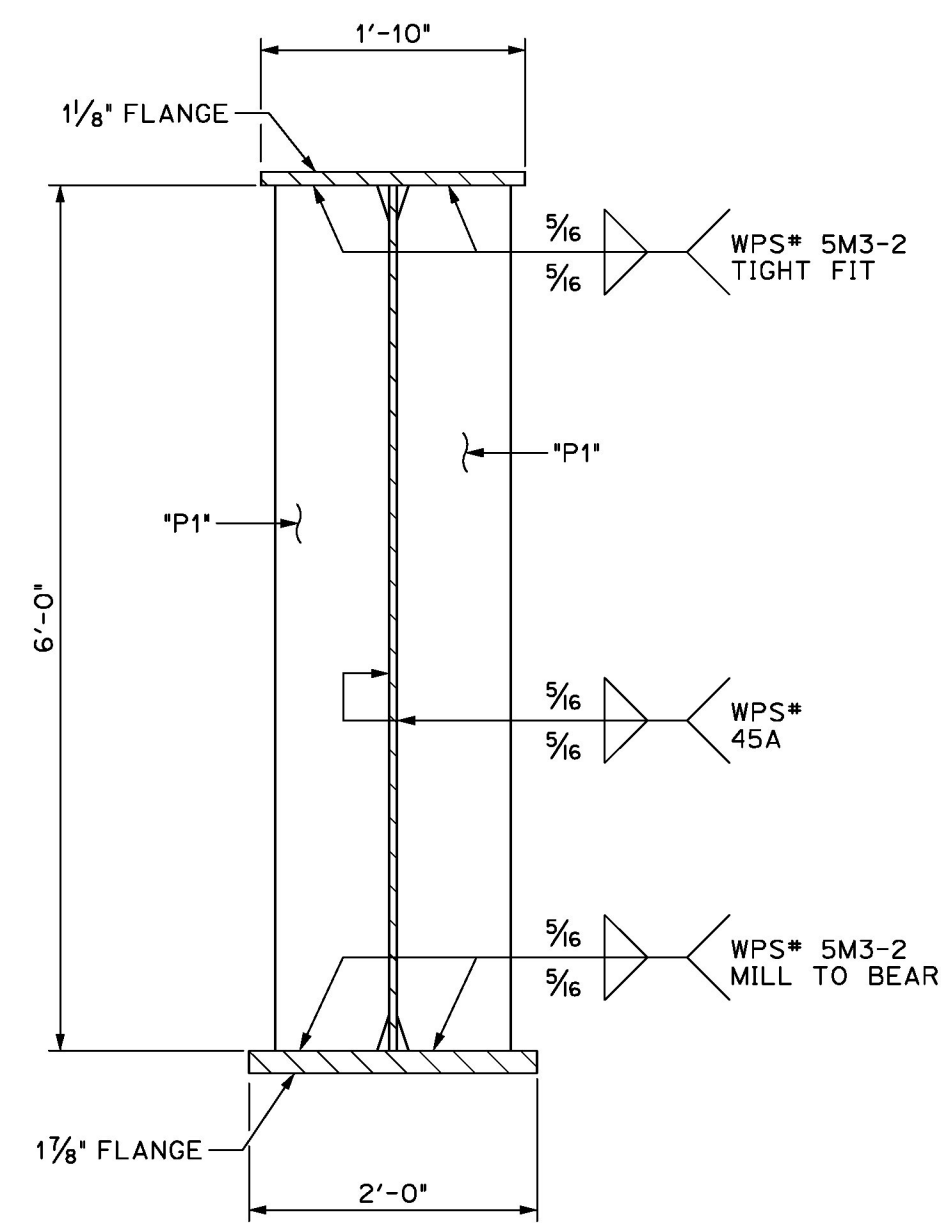
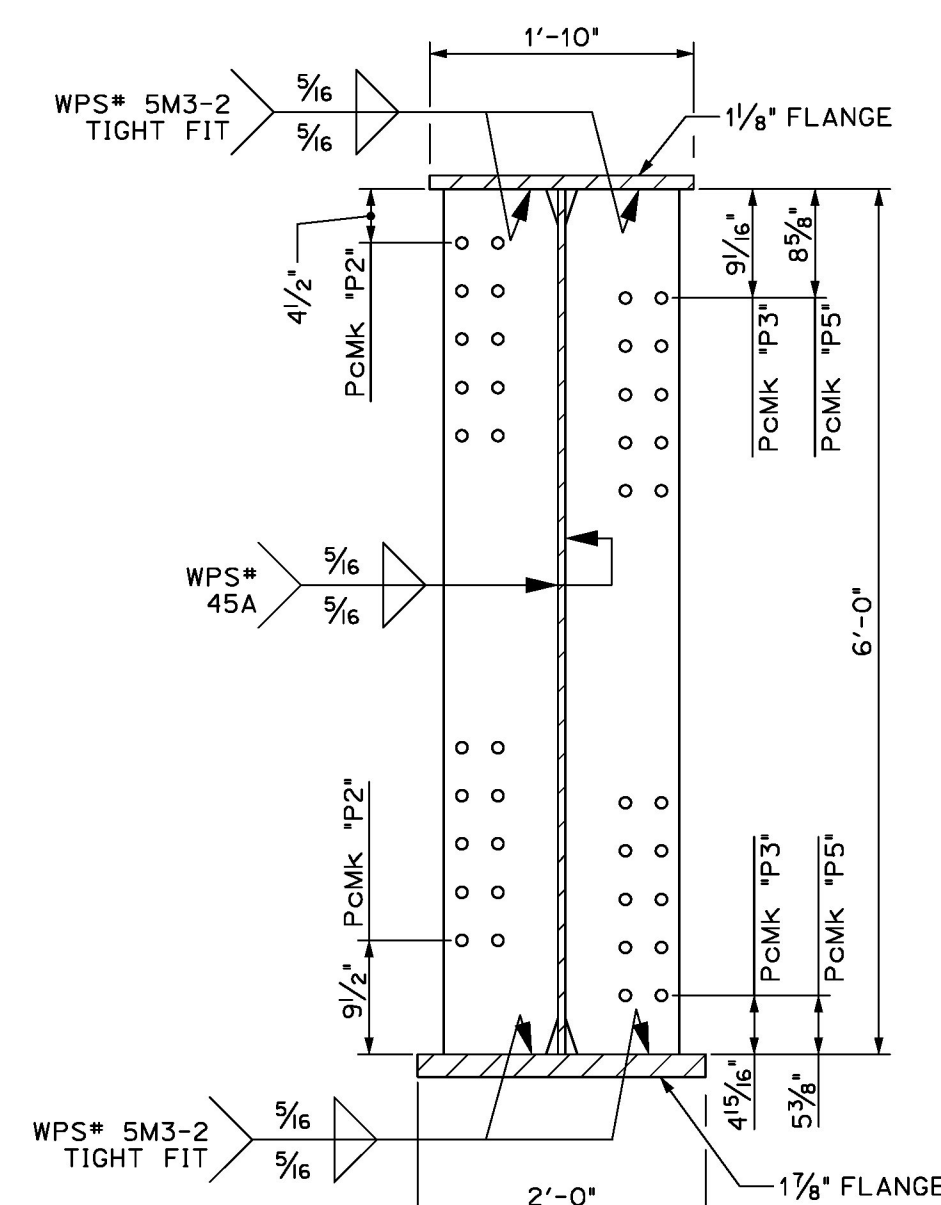


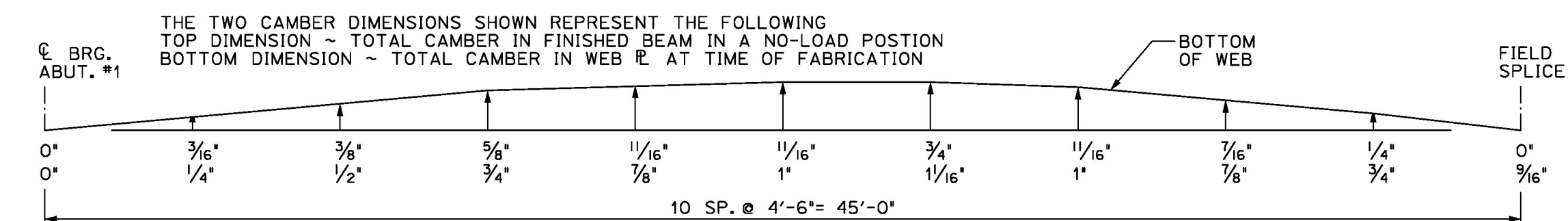
1 DIMENSIONAL PLANS & ELEVATIONS ~ GIRDER 'G4-A'
 5 HORIZONTAL SCALE: 1/4" = 1'-0"
 VERTICAL SCALE EXAGGERATED 2:1



A DIMENSIONAL SECTION
 5 SCALE: 3/4" = 1'-0"



B DIMENSIONAL SECTION
 5 SCALE: 3/4" = 1'-0"



GIRDER 'G4-A' CAMBER
 N.T.S.

BILL OF MATERIALS							
SHIP	SHIP MARK	NO. PCS.	PIECE MARK	DESCRIPTION	LENGTH	WT.	MATERIAL
1	G4-A			BRIDGE GIRDER ASSEMBLY	45'-5 1/16"	19000# EACH	
		1	WP10	R. 5/8" x 72'	45'-5 1/16"	7000# EACH	CVN
		1	TF10	R. 1 1/8" x 22'	45'-5 1/16"	3900# EACH	CVN
		1	BF10	R. 1 1/8" x 24'	45'-4 3/8"	7000# EACH	CVN
2	P1			SEE SHEET M2			
3	P2			SEE SHEET M2			
1	P3			SEE SHEET M2			
1	P5			SEE SHEET M2			

REVISIONS			
NO	DATE	DESCRIPTION	BY

		ADVANCED RESOURCES & CONST. ENTERPRISES, INCORPORATED P.O. BOX 120 KINGFIELD, ME. 04947 PHONE: (207) 265-2646 - FAX: (207) 265-4054	
DRAFTER	OLM	GIRDER G4-A	PROJECT NO. 15-144
DATE	OCT. 2015	STOWE, VT. Route 108 (Major Collector) Bridge No. 3	DWG. NO. 5
CHECKED	JUH	Project No. BRP 0235(15)	
DATE	OCT. 2015	CCS CONSTRUCTORS, INC.	