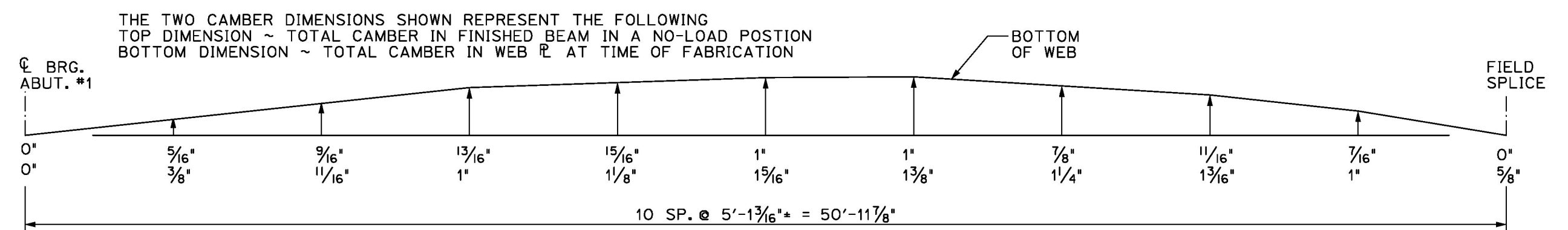
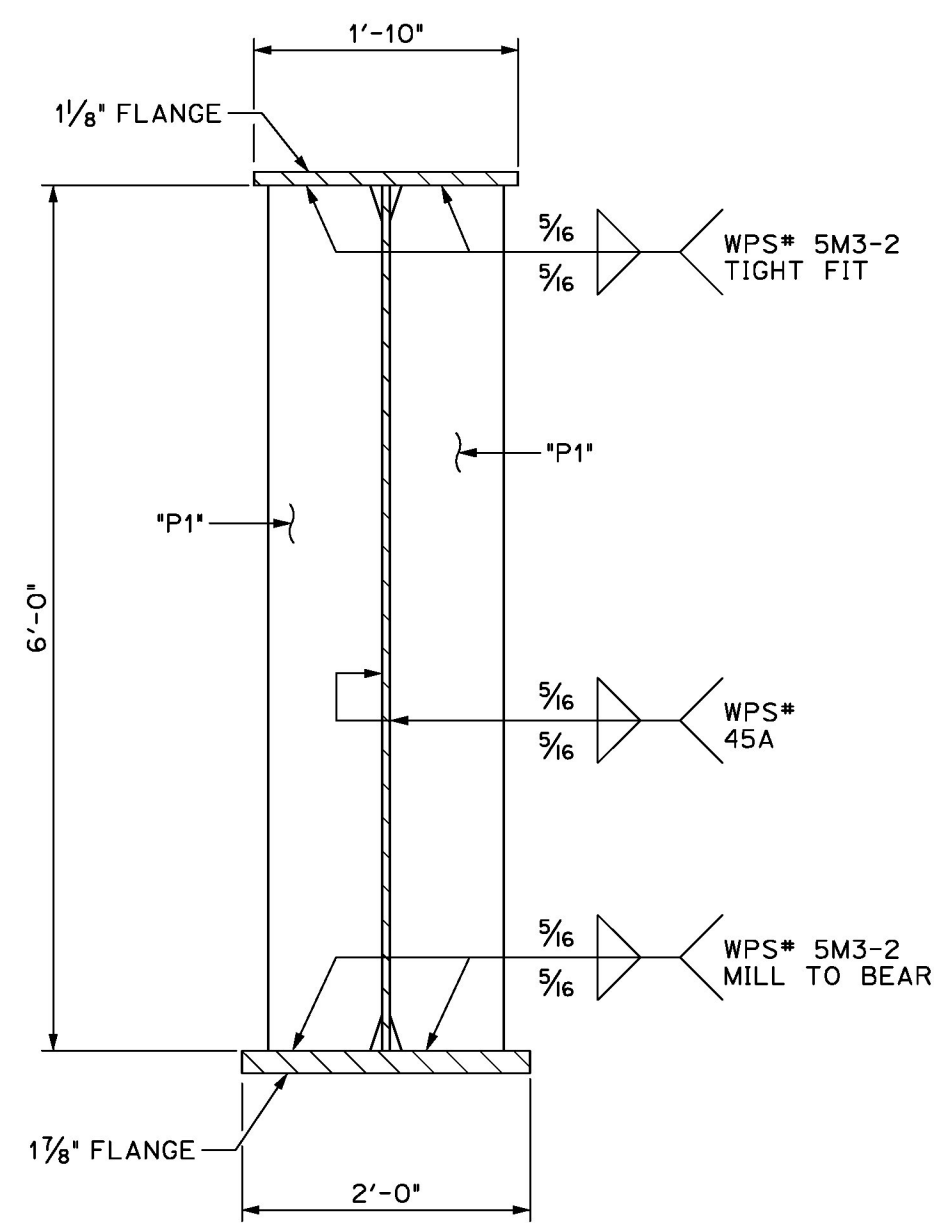


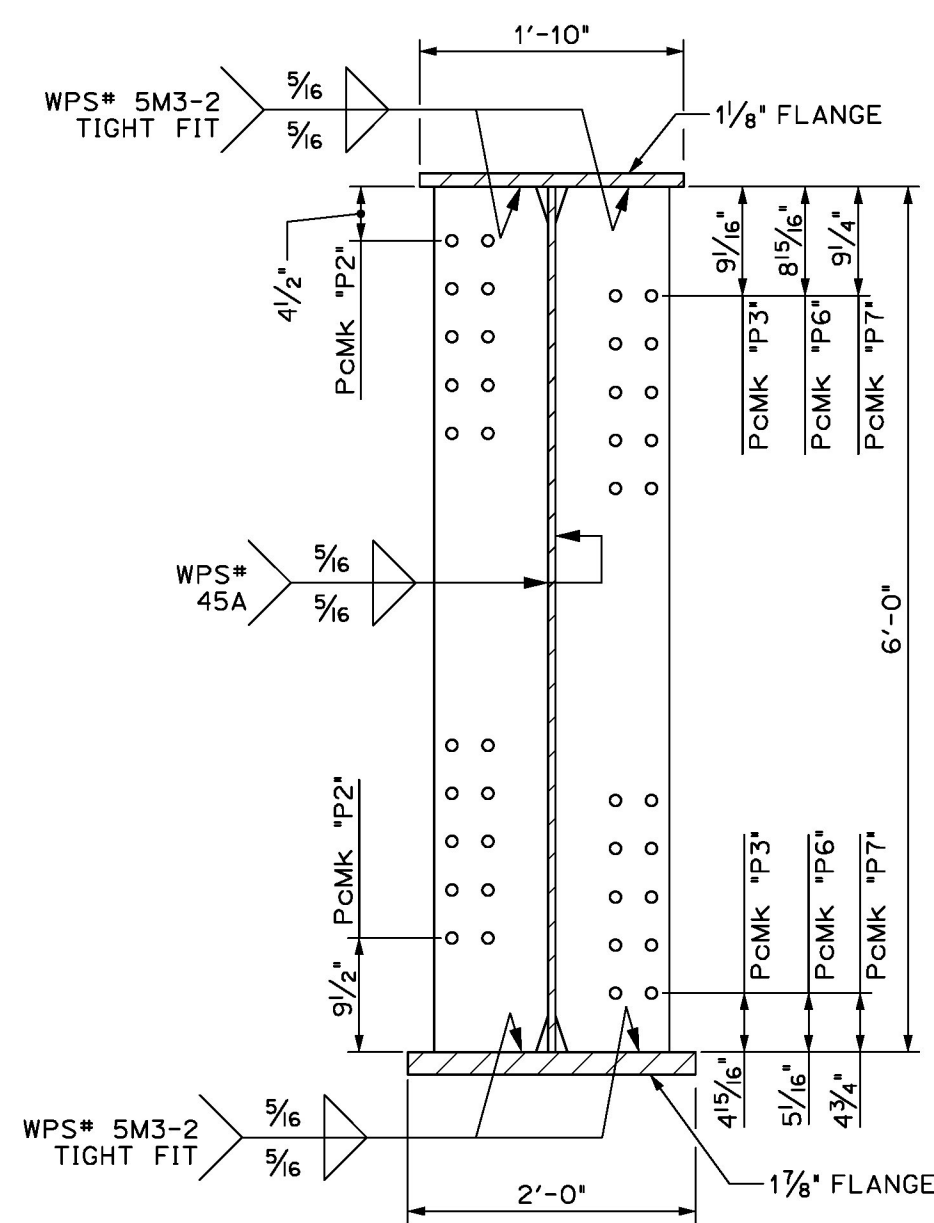
1 DIMENSIONAL PLANS & ELEVATIONS ~ GIRDER "G3-A"
 4 HORIZONTAL SCALE: 1/4" = 1'-0"
 VERTICAL SCALE EXAGGERATED 2:1



GIRDER "G3-A" CAMBER
 N.T.S.



A DIMENSIONAL SECTION
 4 SCALE: 3/4" = 1'-0"



B DIMENSIONAL SECTION
 4 SCALE: 3/4" = 1'-0"

BILL OF MATERIALS							
SHIP	SHIP MARK	NO. PCS.	PIECE MARK	DESCRIPTION	LENGTH	WT.	MATERIAL
1	G3-A			BRIDGE GIRDER ASSEMBLY	51 5/8'	22000# EACH	
		1	WP7	R 5/8" x 72'	51 5/8'	7900# EACH	CVN
		1	TF7	R 1 1/8" x 22'	51 5/8'	4400# EACH	CVN
		1	BF7	R 1 7/8" x 24'	51'-4 3/8"	7900# EACH	CVN
		2	P1	SEE SHEET M2			
		3	P2	SEE SHEET M2			
		1	P3	SEE SHEET M2			
		1	P6	SEE SHEET M2			
		1	P7	SEE SHEET M2			

REVISIONS			
NO	DATE	DESCRIPTION	BY

	ADVANCED RESOURCES & CONST. ENTERPRISES, INCORPORATED P.O. BOX 120 KINGFIELD, ME. 04947 PHONE: (207) 265-2646 - FAX: (207) 265-4054	
	DRAFTER: DLM DATE: OCT. 2015 CHECKED: JHH DATE: OCT. 2015	GIRDER G3-A STOWE, VT, Route 108 (Major Collector) Bridge No. 3 Project No. BRP-0235(15) CCS CONSTRUCTORS, INC.