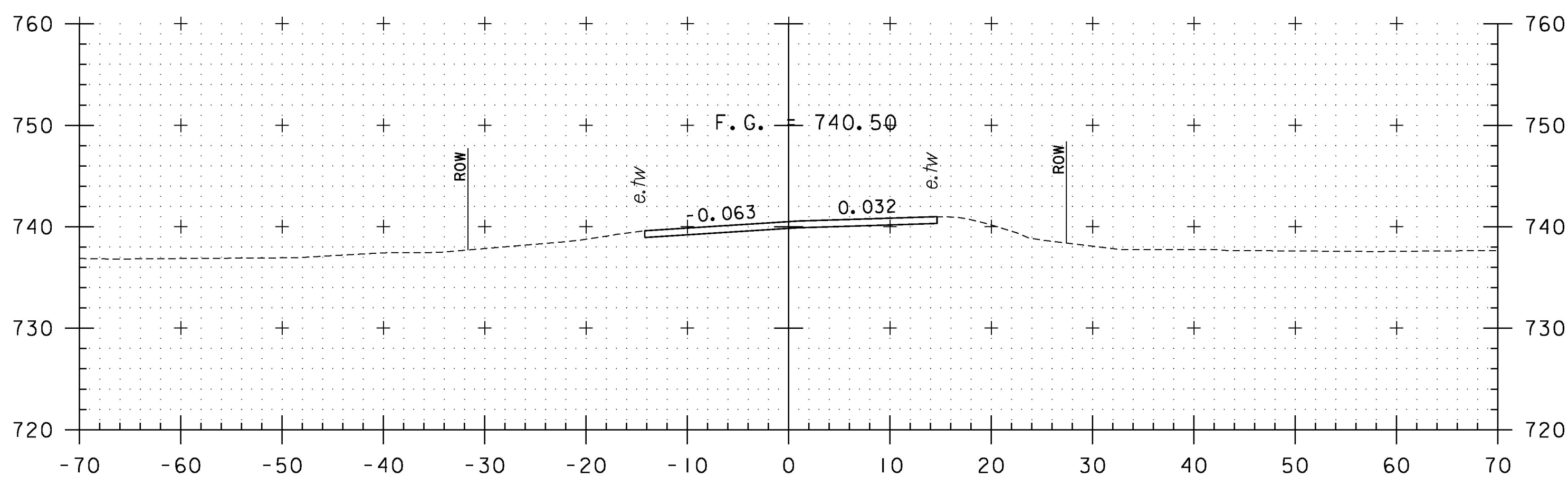
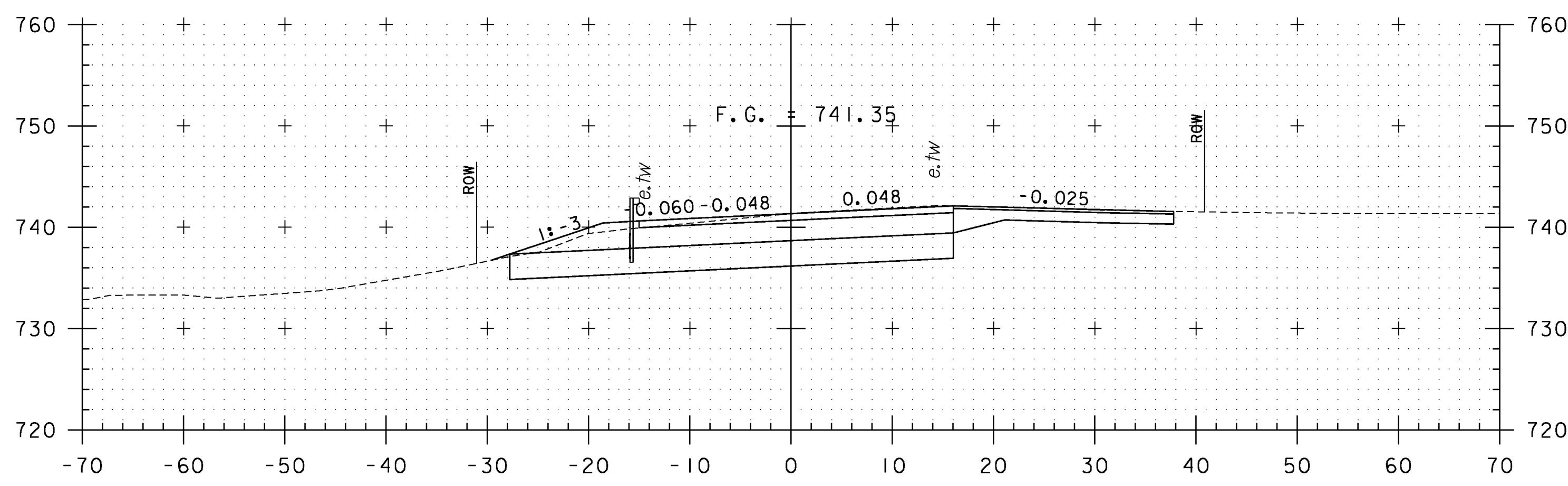


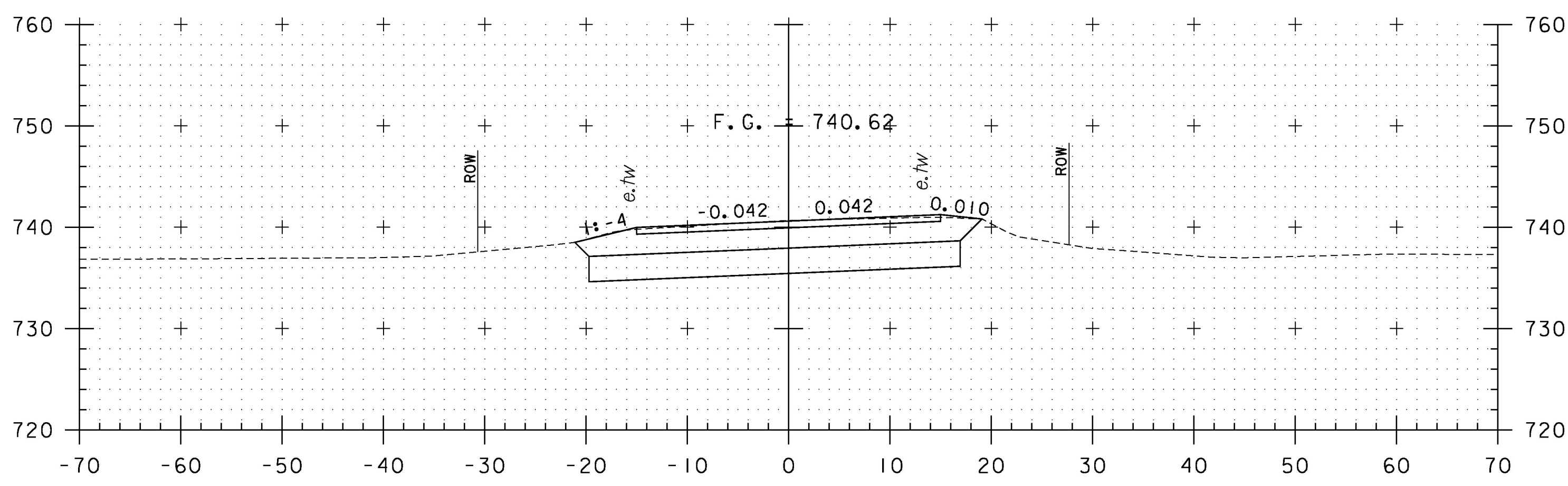
19+00



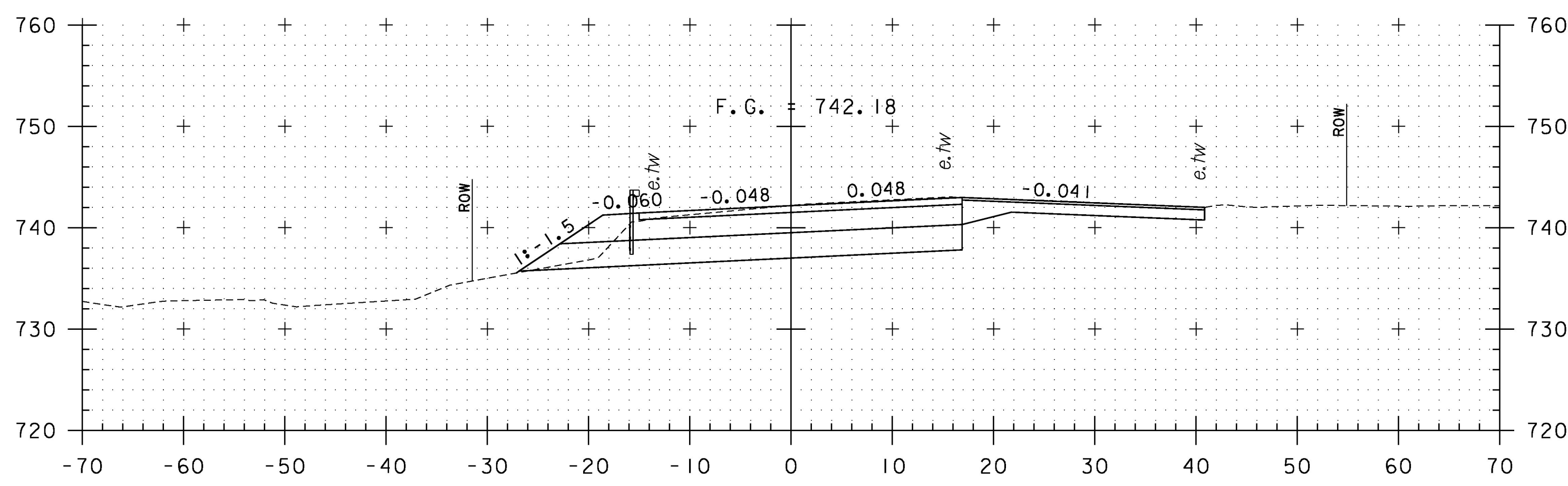
20+50



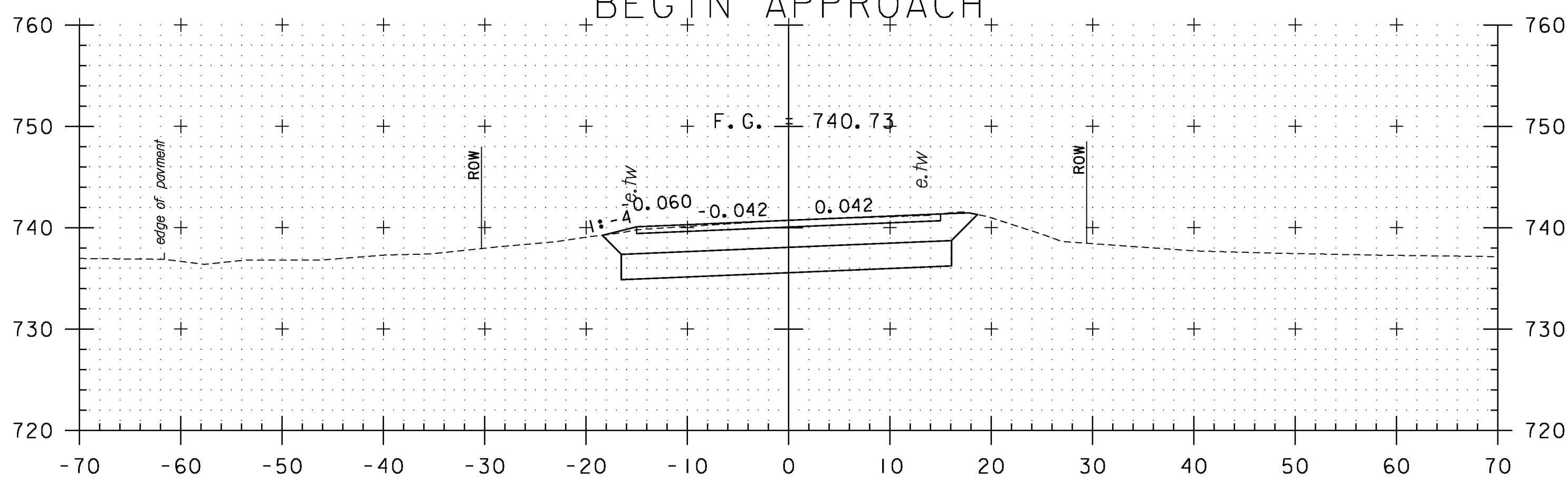
18+50



20+00
END PROJECT
BEGIN APPROACH



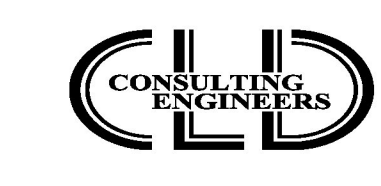
18+00



19+50

STA. 18+00 TO STA. 20+50

PROJECT NAME:	STOWE	PLOT DATE:	5/8/2015
PROJECT NUMBER:	BRF 0235(15)	DRAWN BY:	K. RUTTER
FILE NAME:	z88c190xsl.dgn	CHECKED BY:	C. GREGORY
PROJECT LEADER:	J. BYATT	VT 108 CROSS SECTIONS	SHEET 56 OF 79
DESIGNED BY:	K. RUTTER		



CLD 12-0120 MODEL: VT108 XS 4