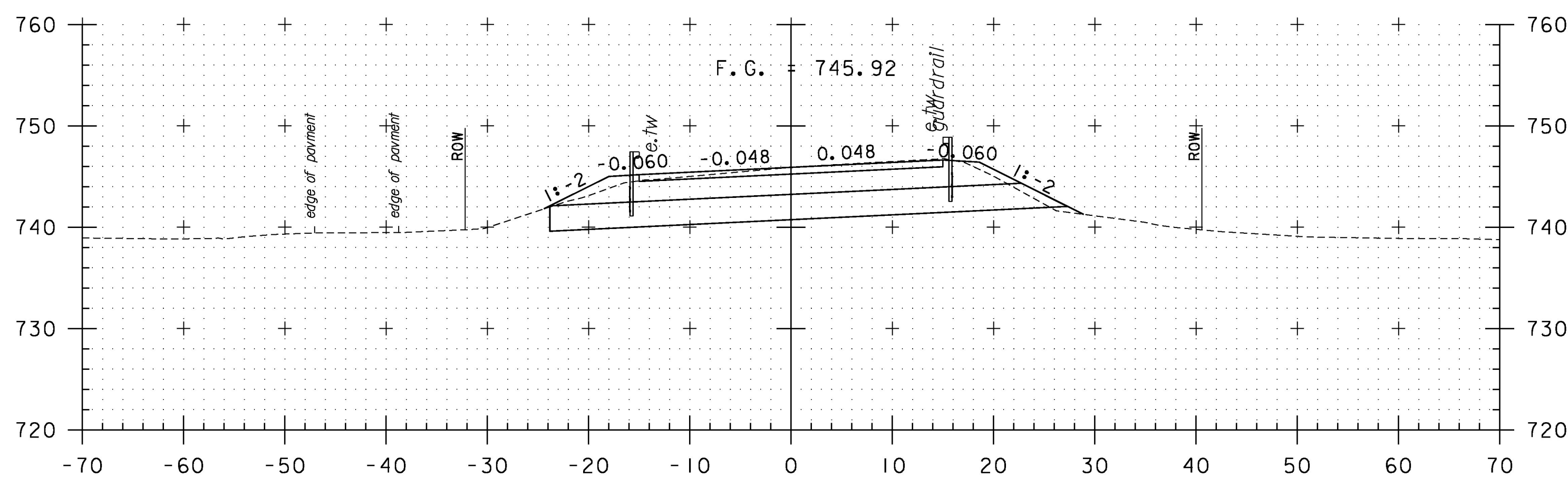
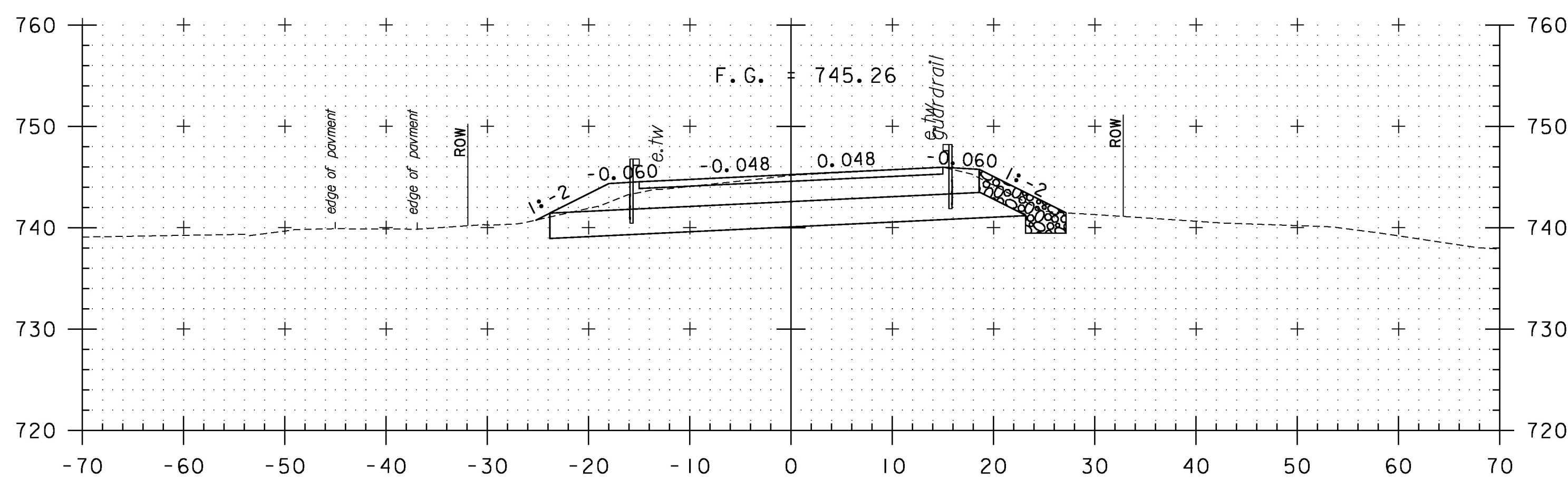


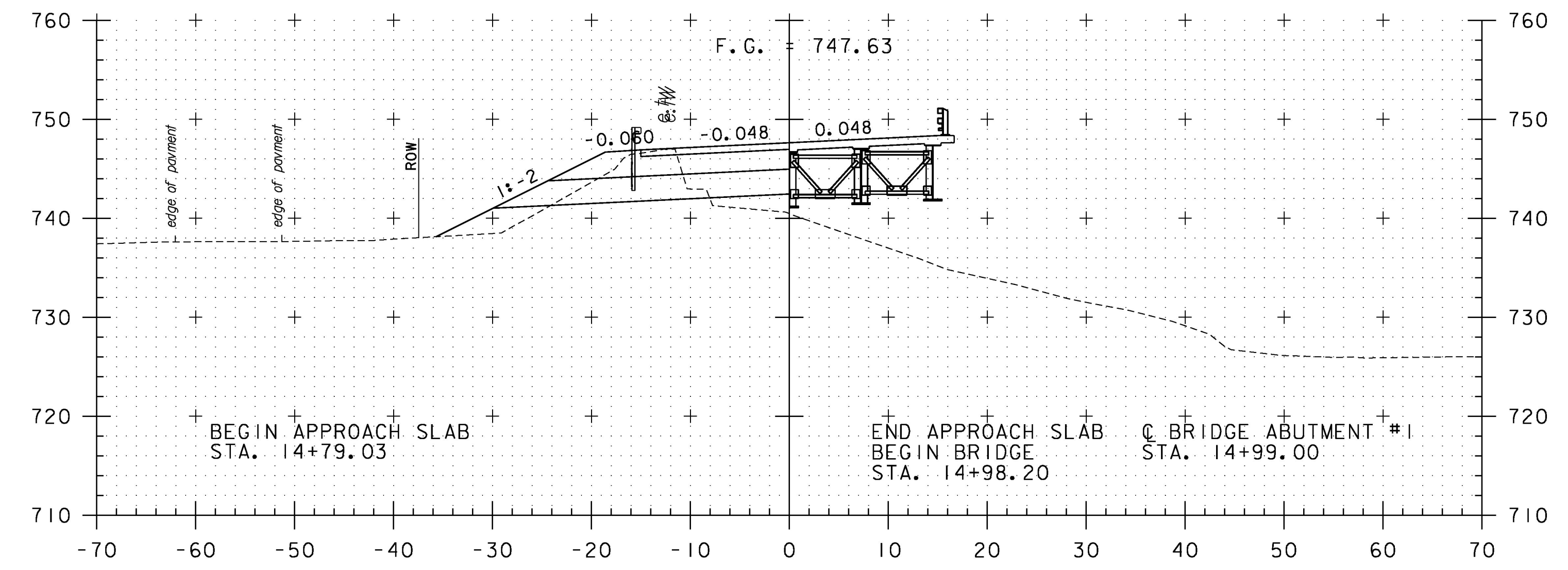
14+00



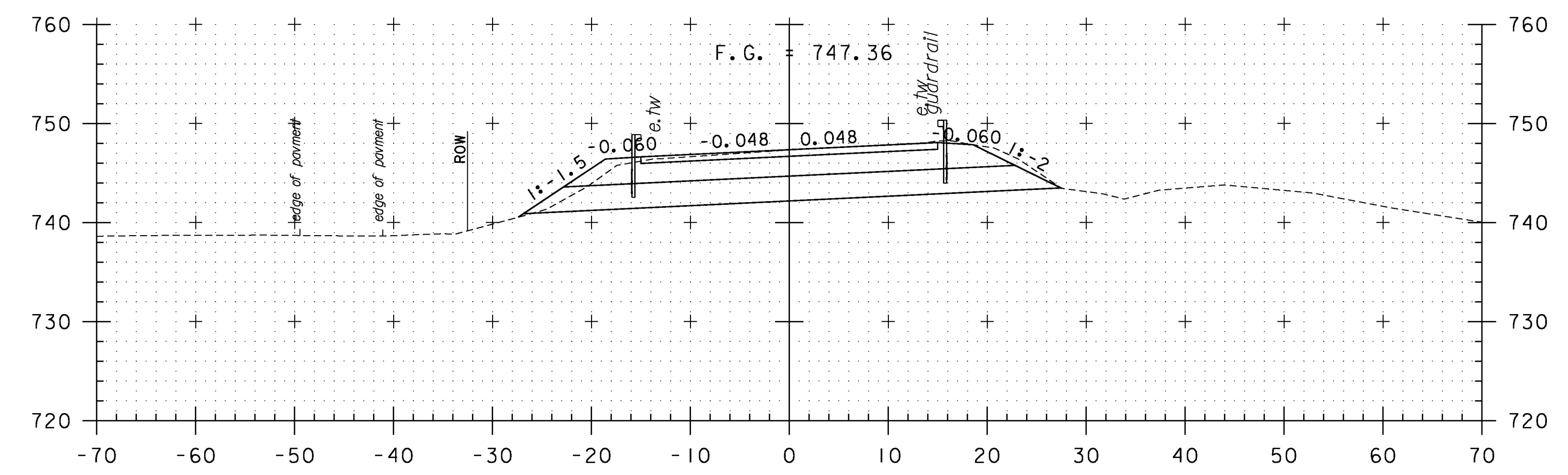
13+50



13+00



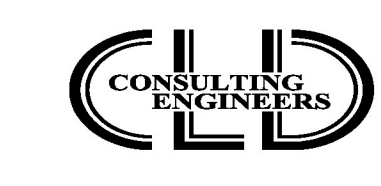
15+00



14+50

STA. 13+00 TO STA. 15+00

PROJECT NAME:	STOWE
PROJECT NUMBER:	BRF 0235(15)
FILE NAME:	z88c190xsl.dgn
PROJECT LEADER:	J. BYATT
DESIGNED BY:	K. RUTTER
VT 108 CROSS SECTIONS	
PLOT DATE:	5/8/2015
DRAWN BY:	K. RUTTER
CHECKED BY:	C. GREGORY
SHEET	54 OF 79



CLD 12-0120 MODEL: VT108 XS 2