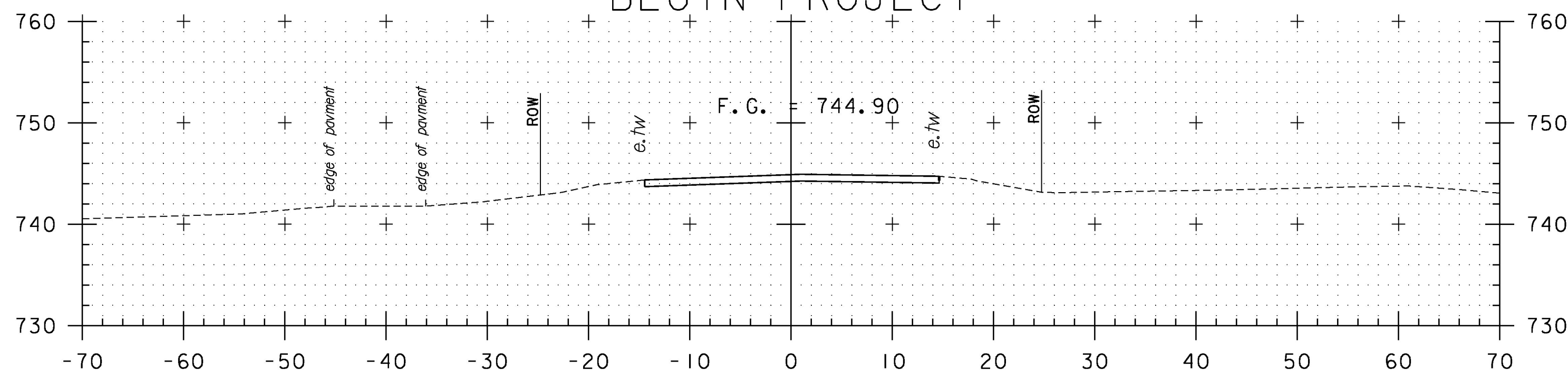
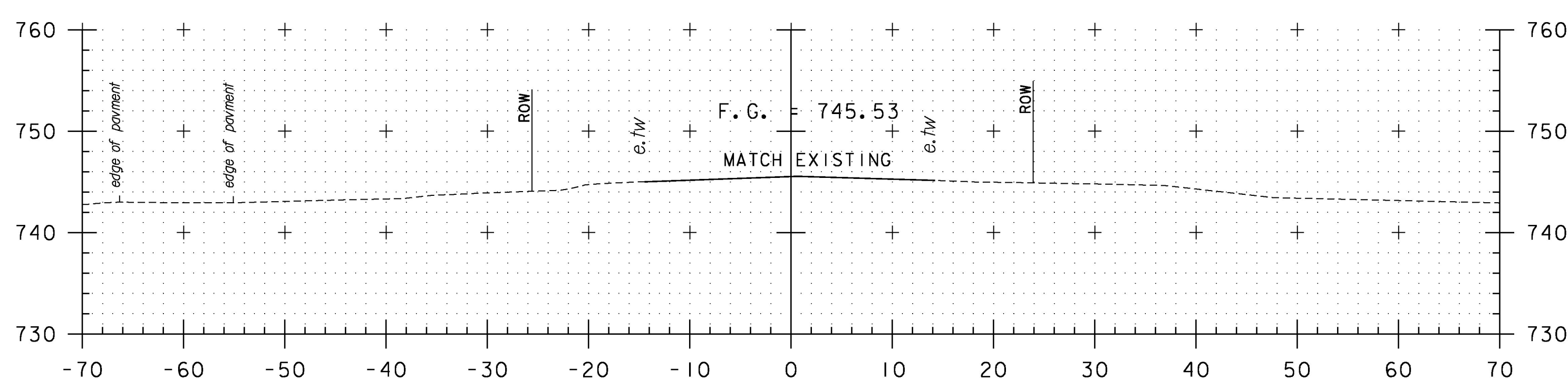


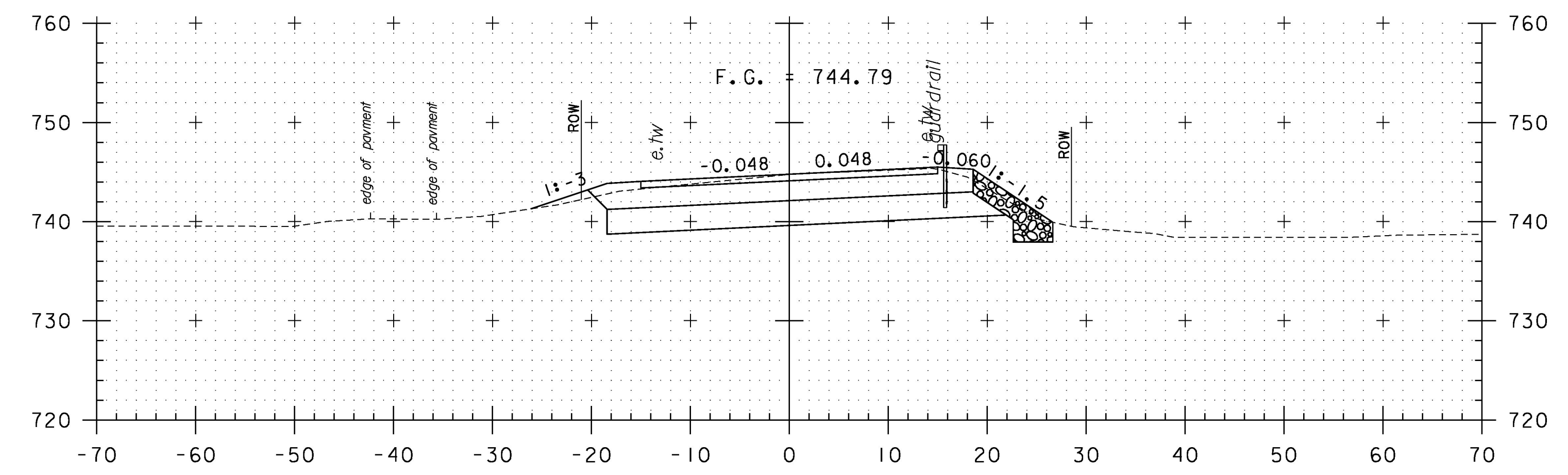
11+00
END APPROACH
BEGIN PROJECT



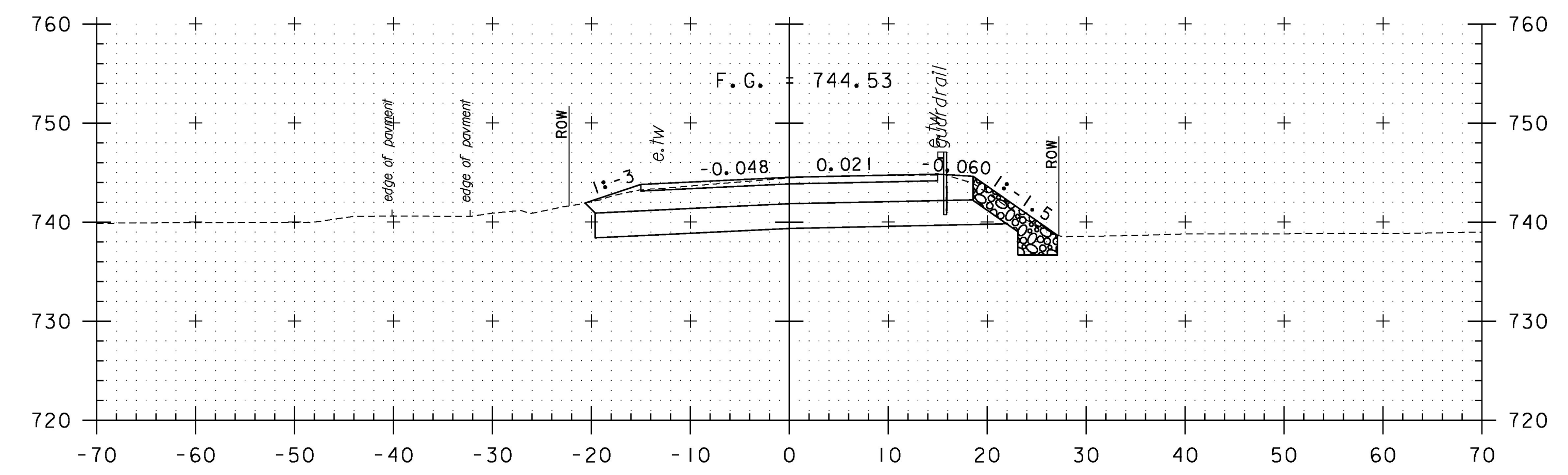
10+50



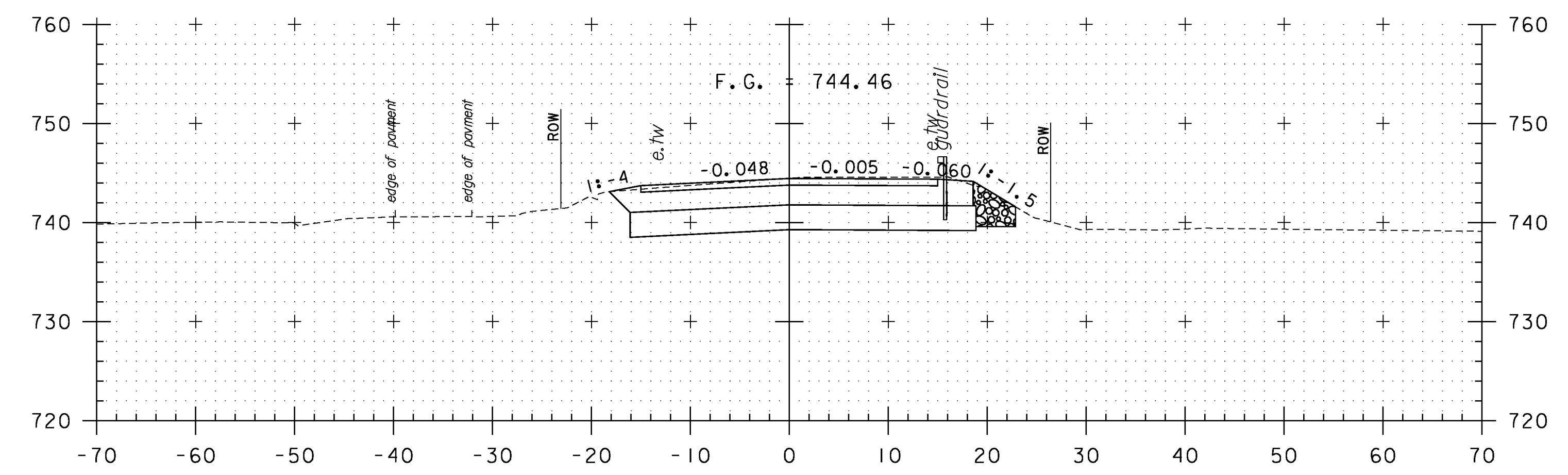
10+00
BEGIN APPROACH



12+50



12+00



11+50

STA. 10+00 TO STA. 12+50

PROJECT NAME:	STOWE	PLOT DATE:	5/8/2015
PROJECT NUMBER:	BRF 0235(15)	DRAWN BY:	K. RUTTER
FILE NAME:	z88c190xsl.dgn	DESIGNED BY:	K. RUTTER
PROJECT LEADER:	J. BYATT	CHECKED BY:	C. GREGORY
VT 108 CROSS SECTIONS		SHEET	53 OF 79

