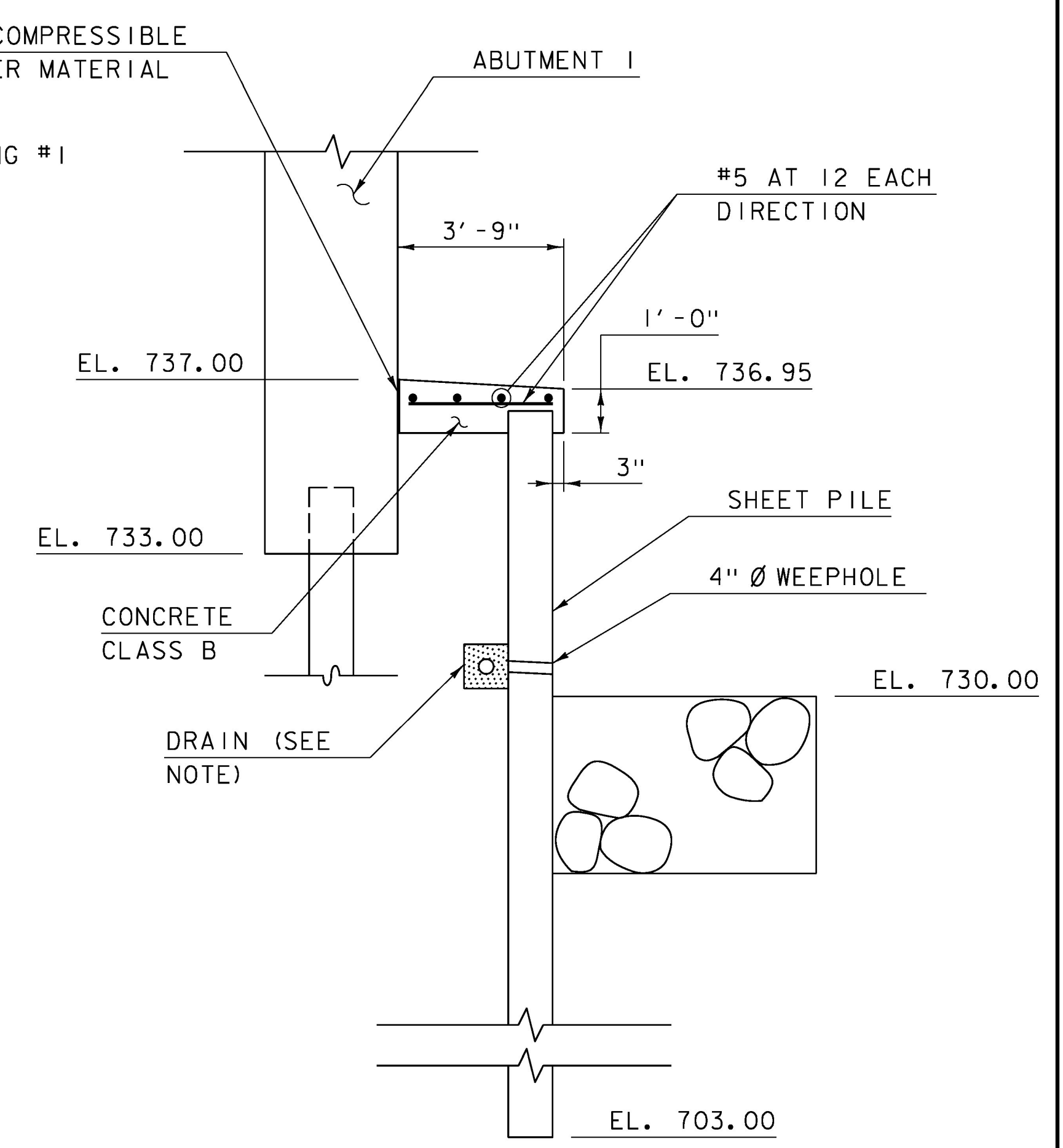
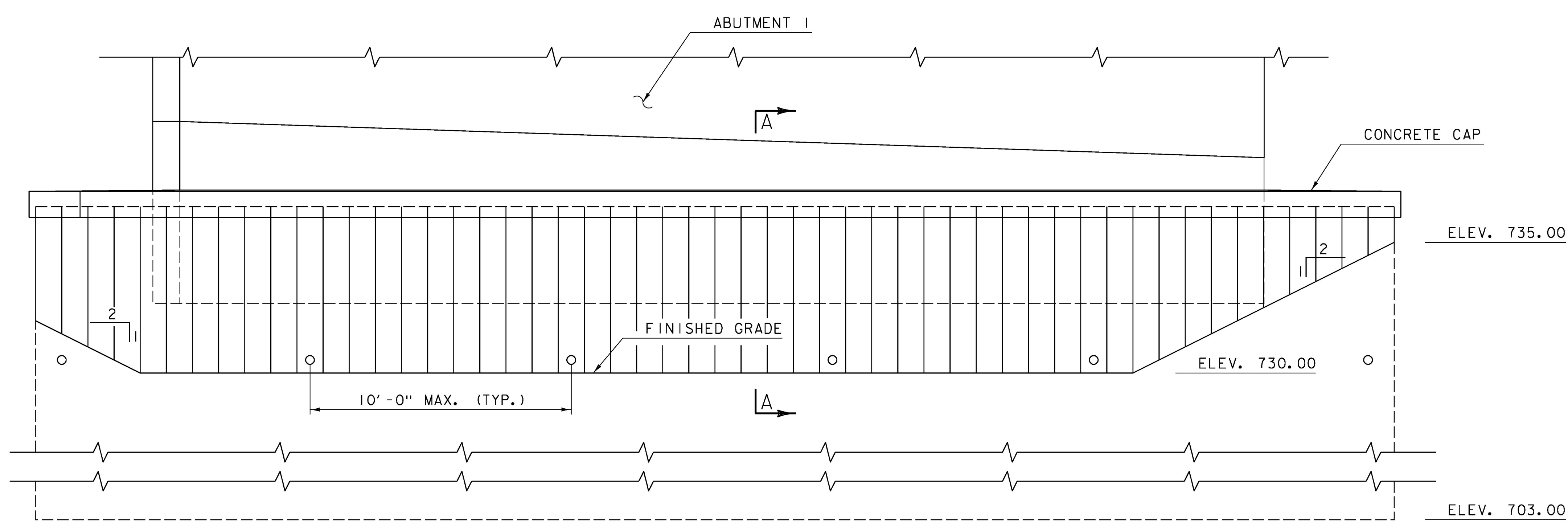


SHEET PILE RETAINING WALL PLAN  
SCALE: 3/8" = 1'-0"



SECTION A-A  
PERMANENT STEEL SHEET  
PILING WALL SECTION  
SCALE: 3/8" = 1'-0"

- NOTES:
1. PAYMENT FOR PERMANENT STEEL SHEET PILING SHALL BE UNDER ITEM 505.35.
  2. DRAIN SHALL CONSIST OF A 4" PERFORATED PIPE WITHIN A 12" ZONE OF 3/4" STONE WITH GEOTEXTILE. PAYMENT WILL BE INCIDENTAL TO ITEM 505.35.



SHEET PILE RETAINING WALL ELEVATION  
SCALE: 3/8" = 1'-0"

NOTE: SEE WINGWALL ELEVATIONS ON SHEET 46 FOR ADDITIONAL INFORMATION.

PROJECT NAME:	STOWE	PLOT DATE:	5/8/2015
PROJECT NUMBER:	BRF 0235(15)	DRAWN BY:	M. SMITH
FILE NAME:	z88cl90sub.dgn	DESIGNED BY:	J. FRENCH
PROJECT LEADER:	J. BYATT	CHECKED BY:	J. BYATT
SHEET PILE RETAINING WALL DETAILS		SHEET 49 OF 79	

CLD 12-0120 MODEL: Sheet Pile Wall

