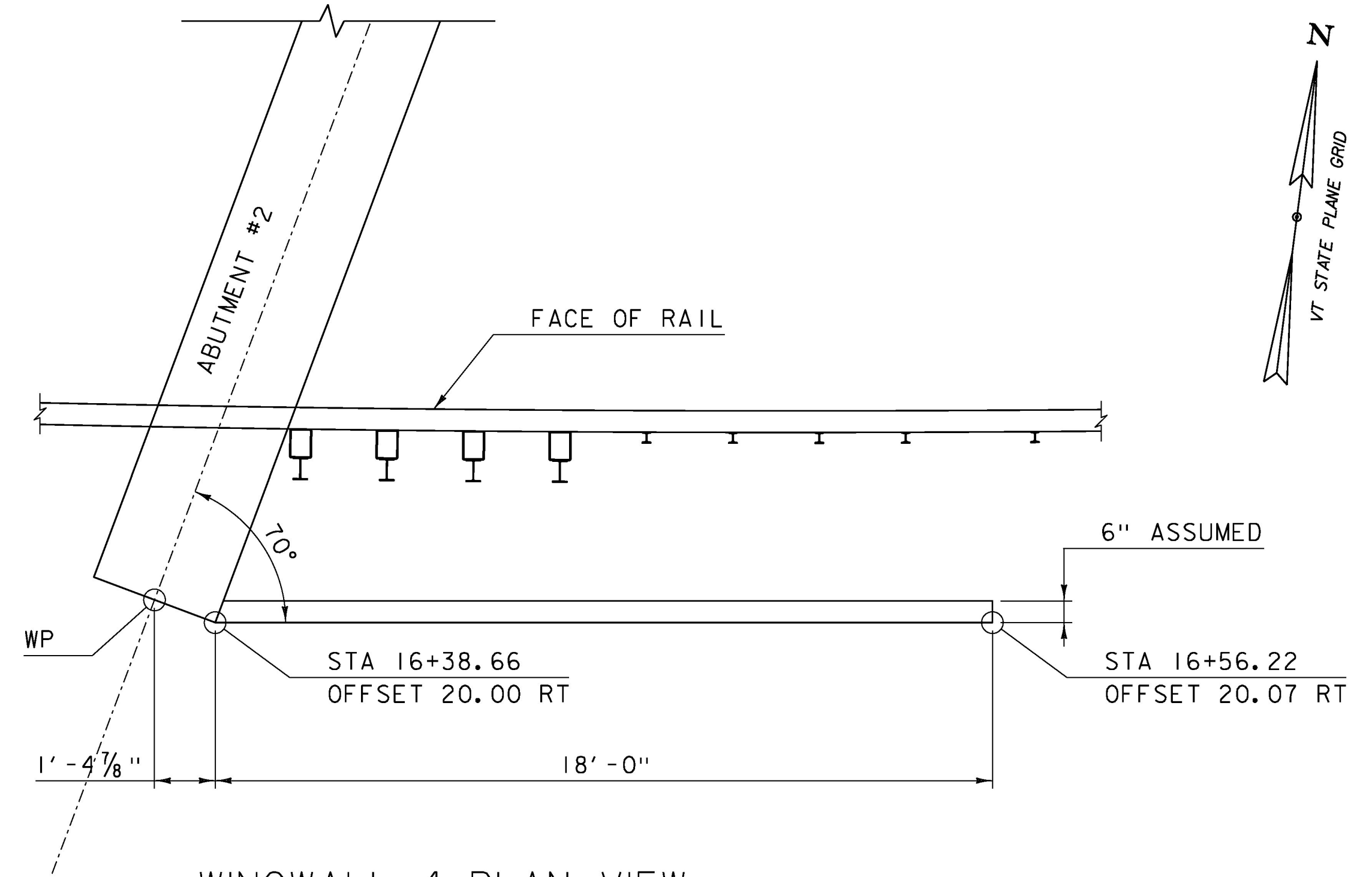
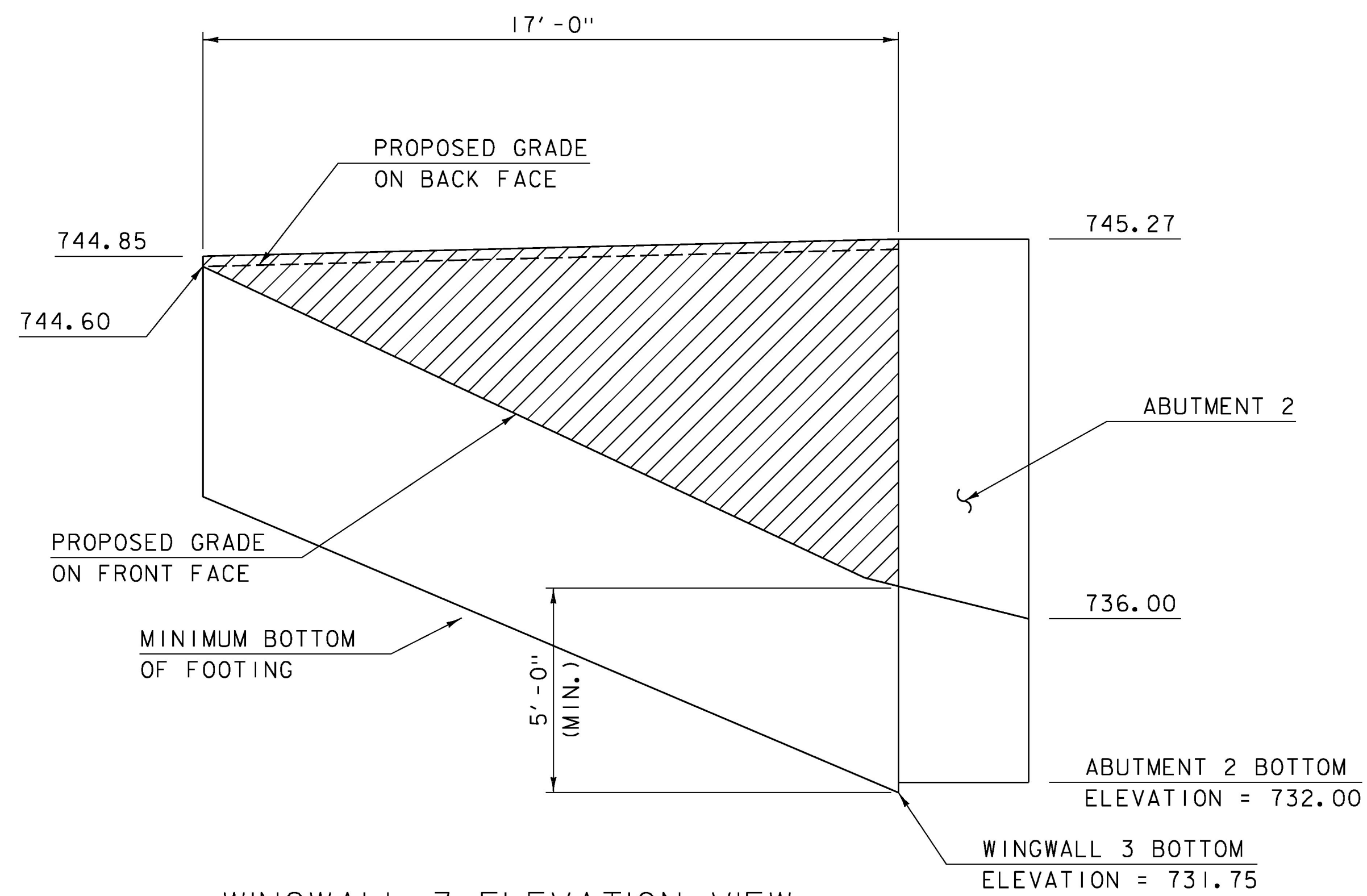


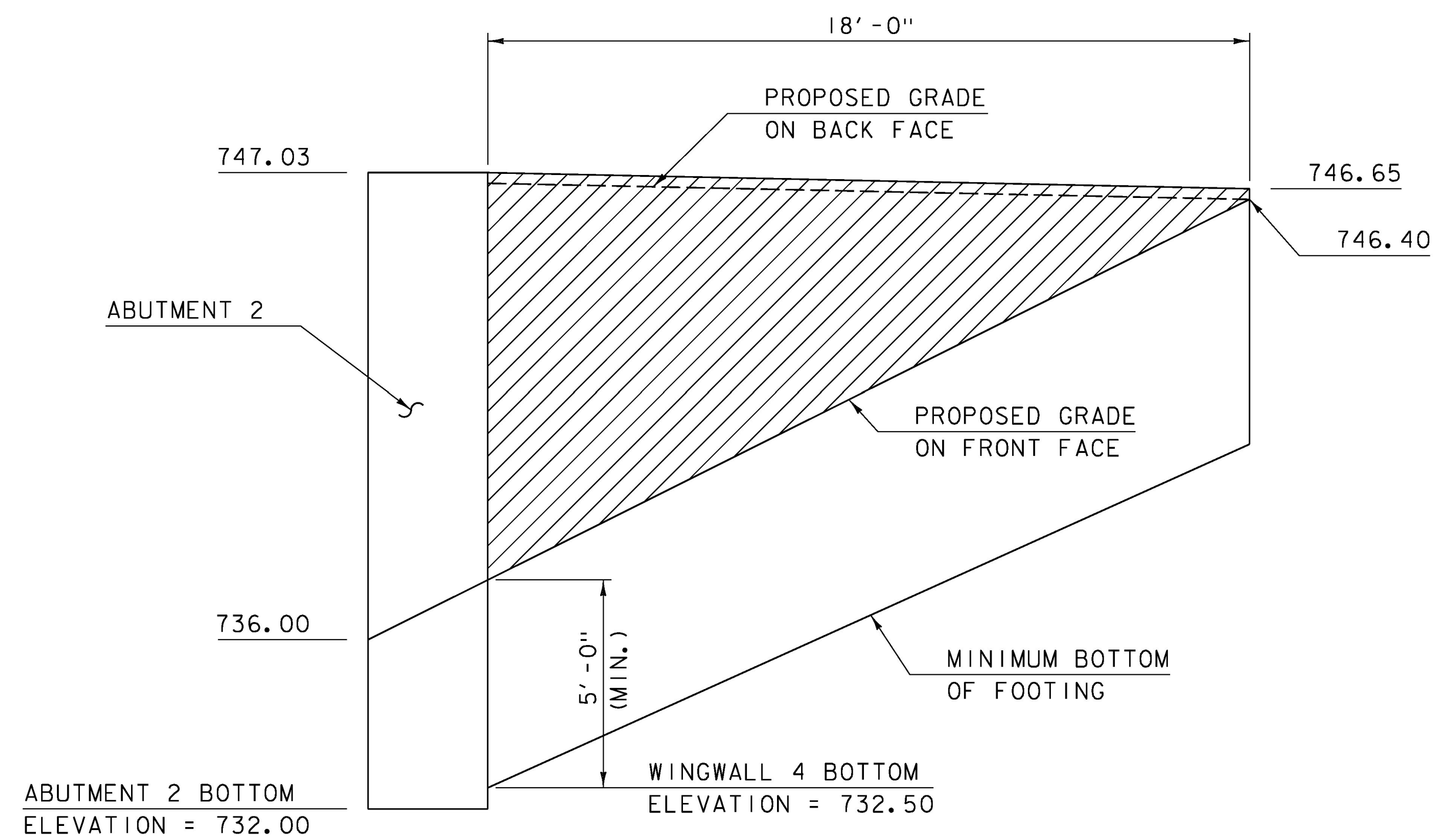
WINGWALL 3 PLAN VIEW
SCALE: 3/8" = 1'-0"



WINGWALL 4 PLAN VIEW
SCALE: 3/8" = 1'-0"



WINGWALL 3 ELEVATION VIEW
SCALE: 3/8" = 1'-0"



WINGWALL 4 ELEVATION VIEW
SCALE: 3/8" = 1'-0"

 PAY LIMITS OF 900.670
"SPECIAL PROVISION
(RETAINING WALL)"

PROJECT NAME:	STOWE	PLOT DATE:	5/8/2015
PROJECT NUMBER:	BRF 0235(15)	DRAWN BY:	M. SMITH
FILE NAME:	z88c190sub.dgn	DESIGNED BY:	J. FRENCH
PROJECT LEADER:	J. BYATT	CHECKED BY:	J. BYATT
WINGWALL PLAN AND ELEVATION (2 OF 2)		SHEET	47 OF 79



CLD 12-0120 MODEL: WINGWALL 3 AND 4