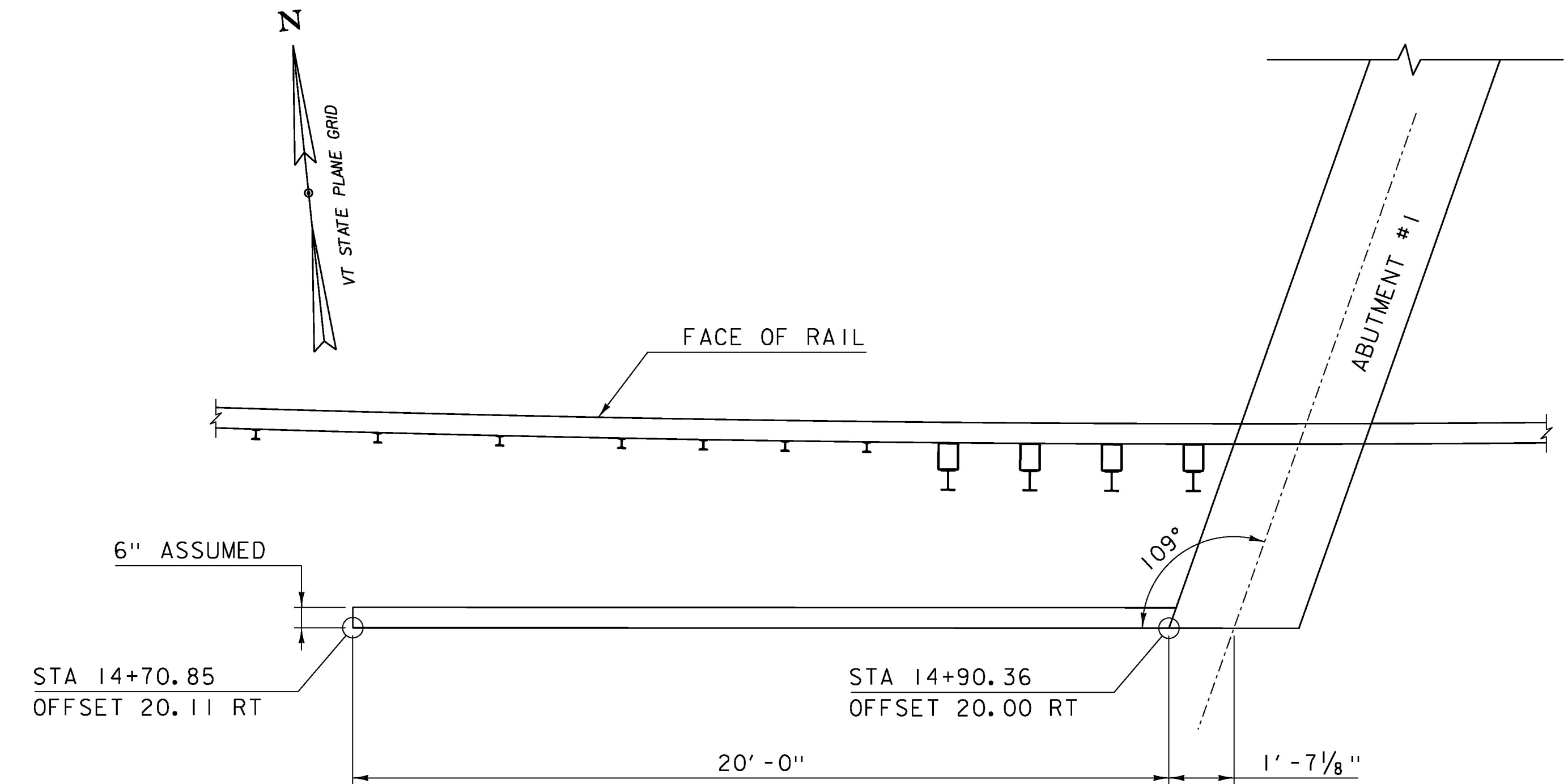
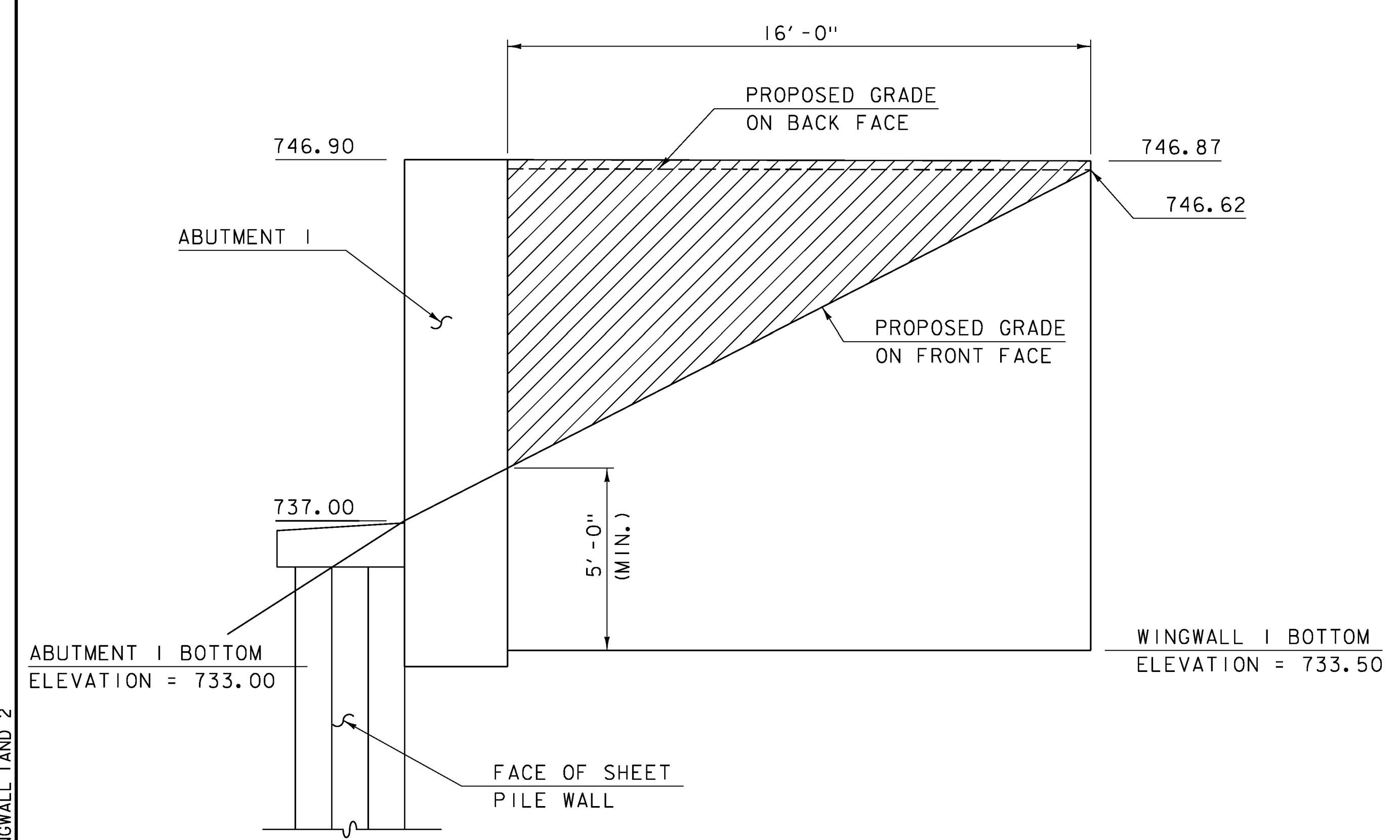


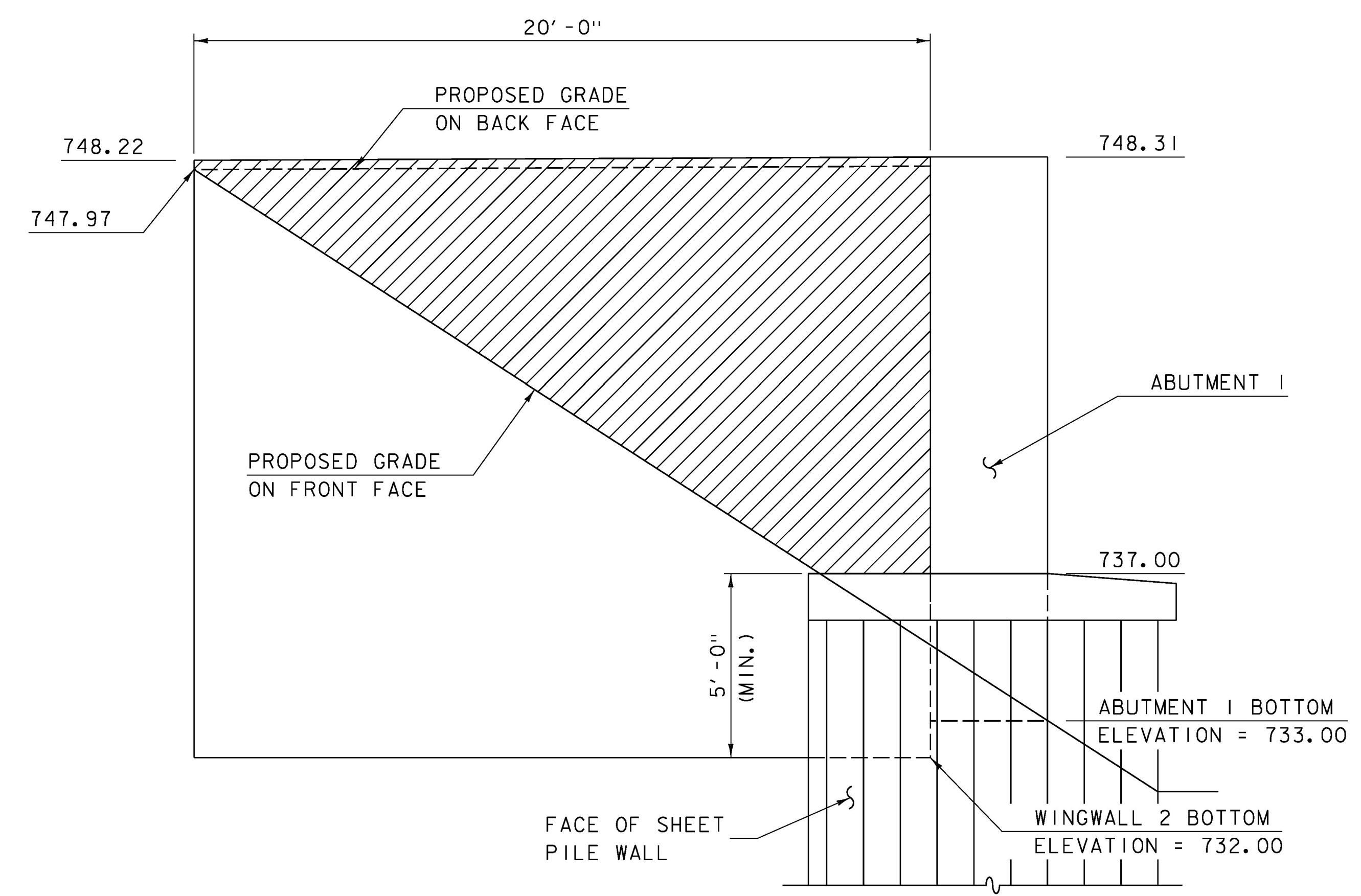
WINGWALL 1 PLAN VIEW  
SCALE: 3/8" = 1'-0"



WINGWALL 2 PLAN VIEW  
SCALE: 3/8" = 1'-0"



WINGWALL 1 ELEVATION VIEW  
SCALE: 3/8" = 1'-0"



WINGWALL 2 ELEVATION VIEW  
SCALE: 3/8" = 1'-0"

 PAY LIMITS OF 900.670  
"SPECIAL PROVISION  
(RETAINING WALL)"

CLD 12-0120 MODEL: WINGWALL 1 AND 2



PROJECT NAME:	STOWE	PLOT DATE:	5/8/2015
PROJECT NUMBER:	BRF 0235(15)	DRAWN BY:	M. SMITH
FILE NAME:	z88c190sub.dgn	DESIGNED BY:	J. FRENCH
PROJECT LEADER:	J. BYATT	CHECKED BY:	J. BYATT
WINGWALL PLAN AND ELEVATION (10 OF 2)		SHEET	46 OF 79