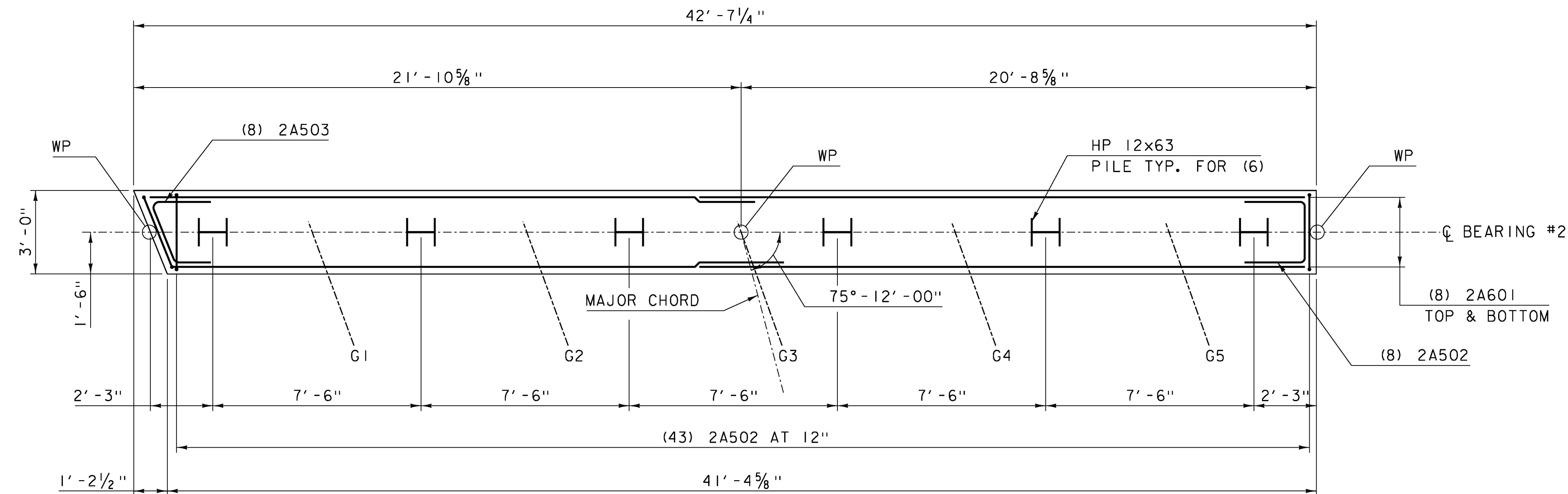


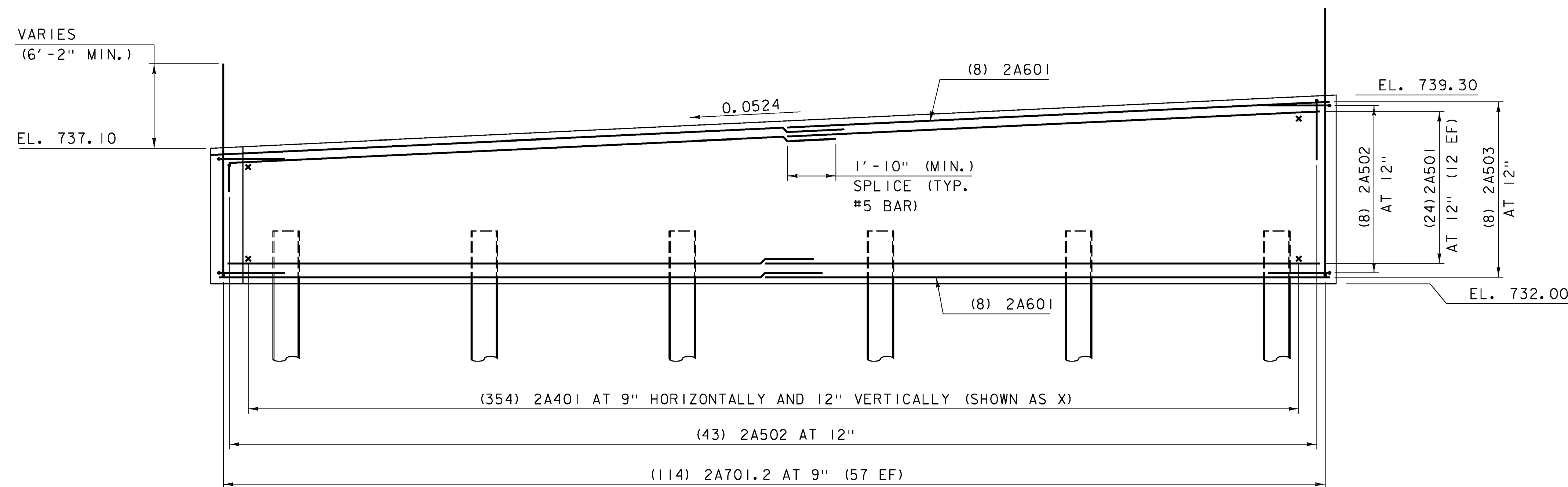
NOTE:

SEE PROJECT NOTES FOR ADDITIONAL FABRICATION, CONSTRUCTION, AND SEQUENCE NOTES.



ABUTMENT #2 PILE CAP PLAN

SCALE: 3/8" = 1'-0"



ABUTMENT #2 PILE CAP ELEVATION

SCALE: 3/8" = 1'-0"

NOTE:

- NF = NEAR FACE
- FF = FAR FACE
- EF = EACH FACE
- ▲ = CUT TO FIT IN FIELD
- 3" CLEAR, UNLESS OTHERWISE SPECIFIED ON THE PLANS.
- 2' - 2" BAR LAP UNLESS OTHERWISE SPECIFIED ON THE PLANS
- X = LATERAL TIE

PROJECT NAME: STOWE
PROJECT NUMBER: BRF 0235(15)

FILE NAME: z88cl90sub.dgn PLOT DATE: 5/8/2015
PROJECT LEADER: J. BYATT DRAWN BY: M. SMITH
DESIGNED BY: J. FRENCH CHECKED BY: J. BYATT
ABUTMENT 2 PILE CAP PLAN AND ELEVATION SHEET 45 OF 79

