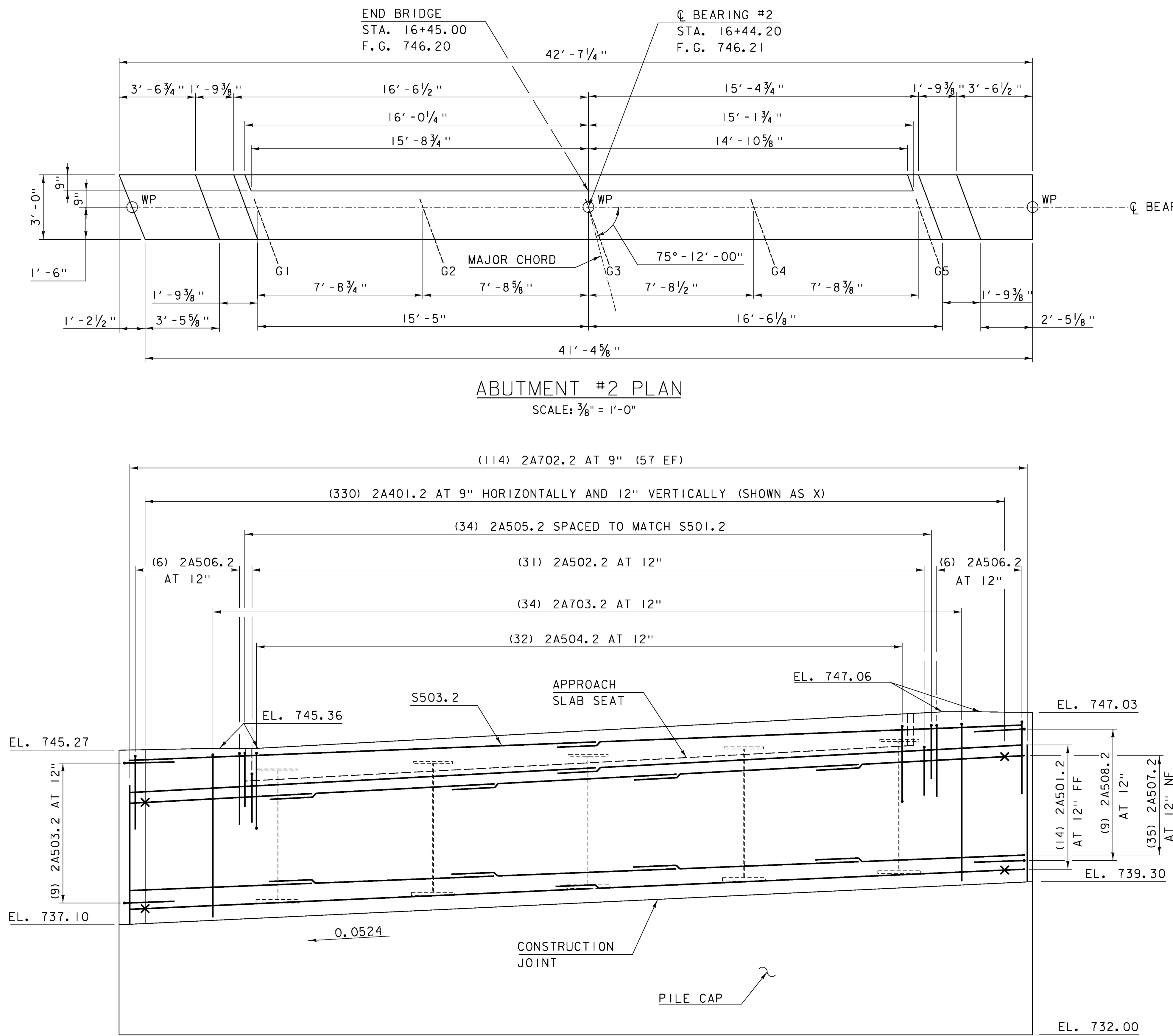


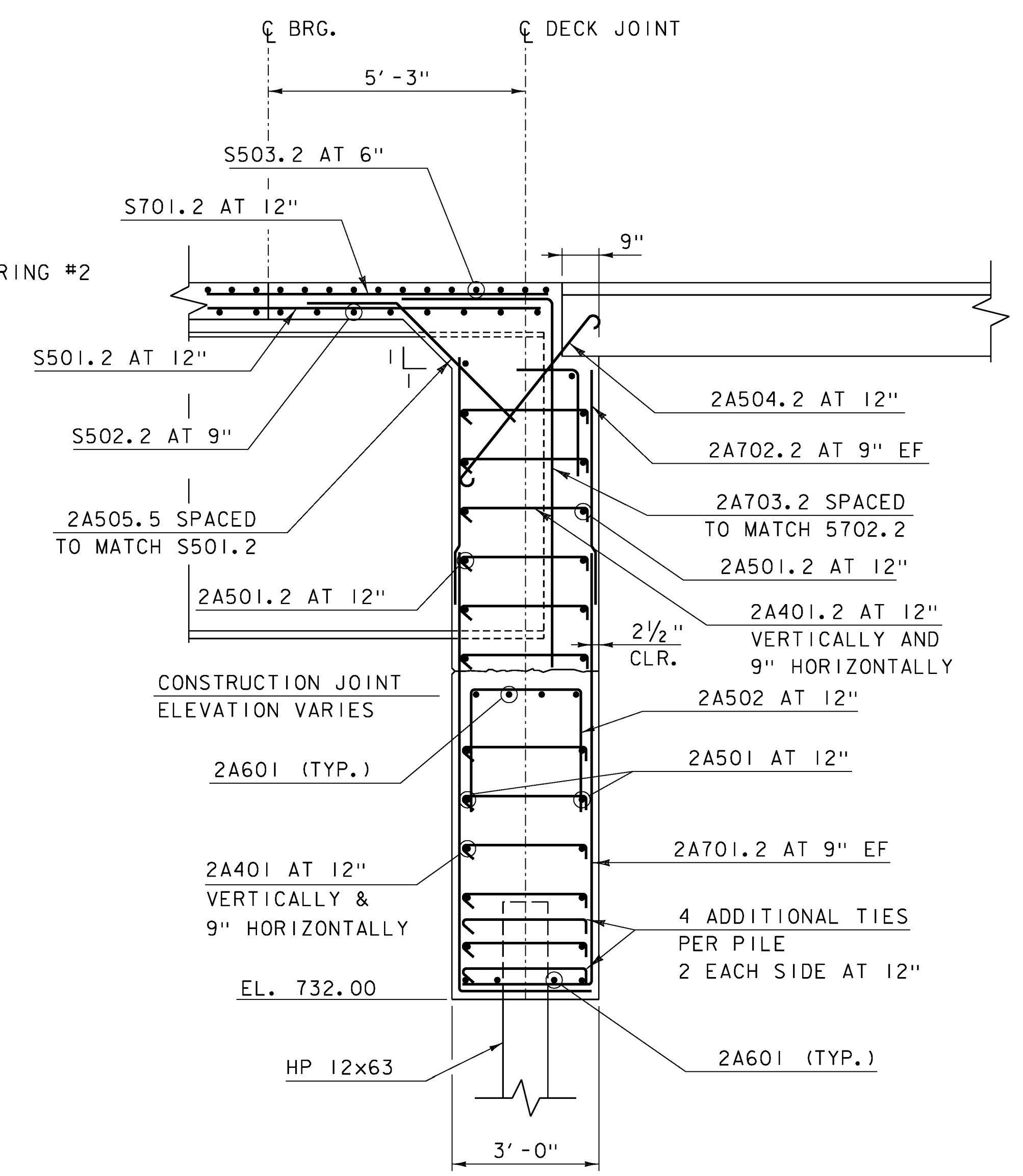
CLD 12-0120 MODEL: ABUTMENT 2



ABUTMENT #2 PLAN
SCALE: 3/8" = 1'-0"

ABUTMENT #2 ELEVATION
SCALE: 3/8" = 1'-0"

NOTE: ELEVATIONS SHOWN ARE AT ϕ OF BEARING.



ABUTMENT #2 TYPICAL REBAR SECTION
SCALE: 1/2" = 1'-0"

NOTE:
 NF = NEAR FACE
 FF = FAR FACE
 EF = EACH FACE
 ▲ = CUT TO FIT IN FIELD
 X = LATERAL TIES
 3" CLEAR, UNLESS OTHERWISE SPECIFIED ON THE PLANS.
 2' - 2" BAR LAP UNLESS OTHERWISE SPECIFIED ON THE PLANS

PROJECT NAME:	STOWE	PLOT DATE:	5/8/2015
PROJECT NUMBER:	BRF 0235(15)	DRAWN BY:	M. SMITH
FILE NAME:	z88cl90sub.dgn	CHECKED BY:	J. BYATT
PROJECT LEADER:	J. BYATT	ABUTMENT 2 PLAN AND ELEVATION	SHEET 43 OF 79
DESIGNED BY:	J. FRENCH		

