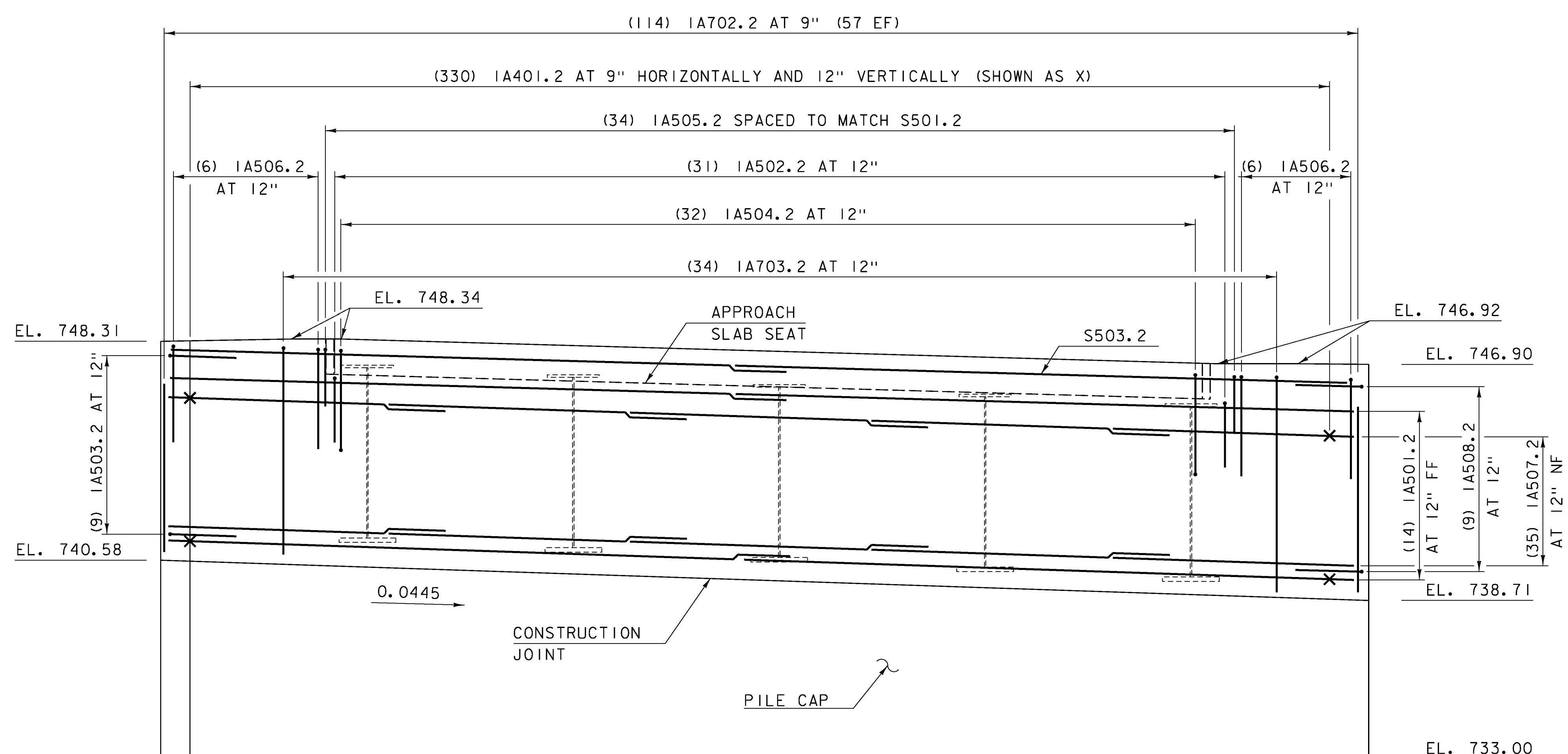
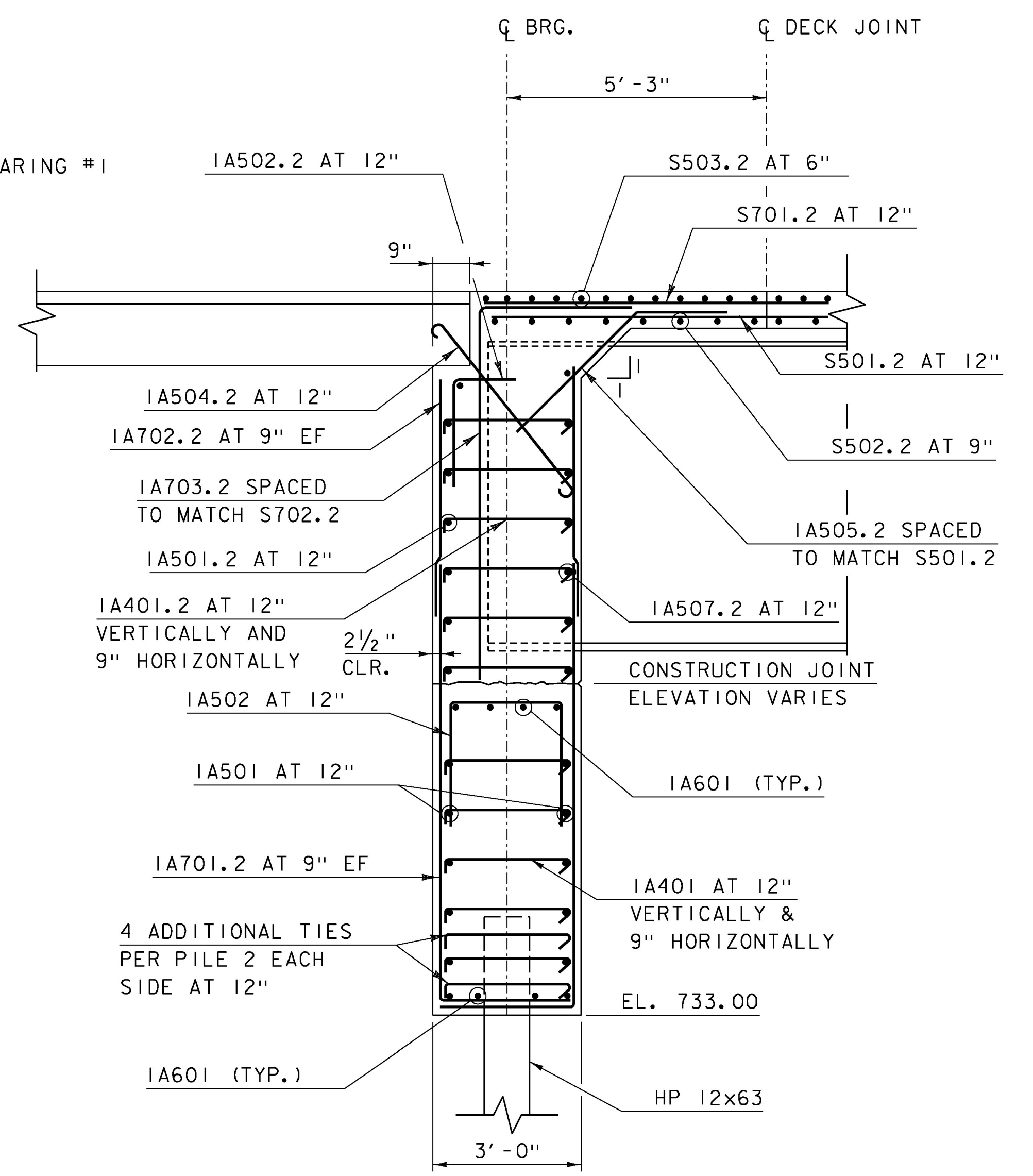


**ABUTMENT #1 PLAN**  
SCALE: 3/8" = 1'-0"



**ABUTMENT #1 ELEVATION**  
SCALE: 3/8" = 1'-0"

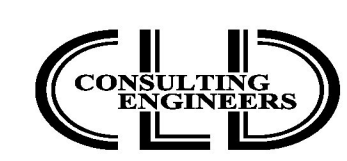
NOTE: ELEVATIONS SHOWN ARE AT CL OF BEARING.



**ABUTMENT #1 TYPICAL REBAR SECTION**  
SCALE: 1/2" = 1'-0"

**NOTE:**  
 NF = NEAR FACE  
 FF = FAR FACE  
 EF = EACH FACE  
 ▲ = CUT TO FIT IN FIELD  
 X = LATERAL TIES  
 3" CLEAR, UNLESS OTHERWISE SPECIFIED ON THE PLANS.  
 2' - 2" BAR LAP UNLESS OTHERWISE SPECIFIED ON THE PLANS

CLD 12-010 MODEL: ABUTMENT 1



PROJECT NAME: STOWE	PLOT DATE: 5/8/2015
PROJECT NUMBER: BRF 0235(15)	DRAWN BY: M. SMITH
FILE NAME: z88c190sub.dgn	CHECKED BY: J. BYATT
DESIGNED BY: J. FRENCH	ABUTMENT 1 PLAN AND ELEVATION
	SHEET 42 OF 79