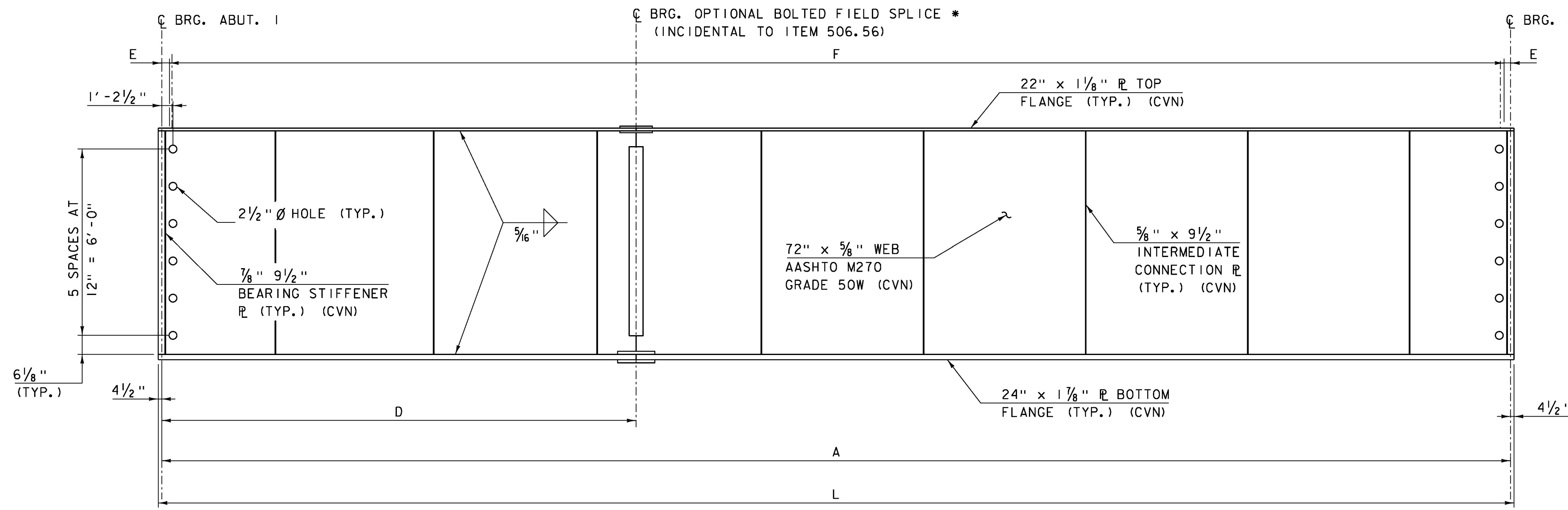


GIRDER	MAX SWEEP DISTANCE
G1	3' - 2 1/8"
G2	3' - 3 1/8"
G3	3' - 3 1/2"
G4	3' - 3 3/8"
G5	3' - 4 1/4"

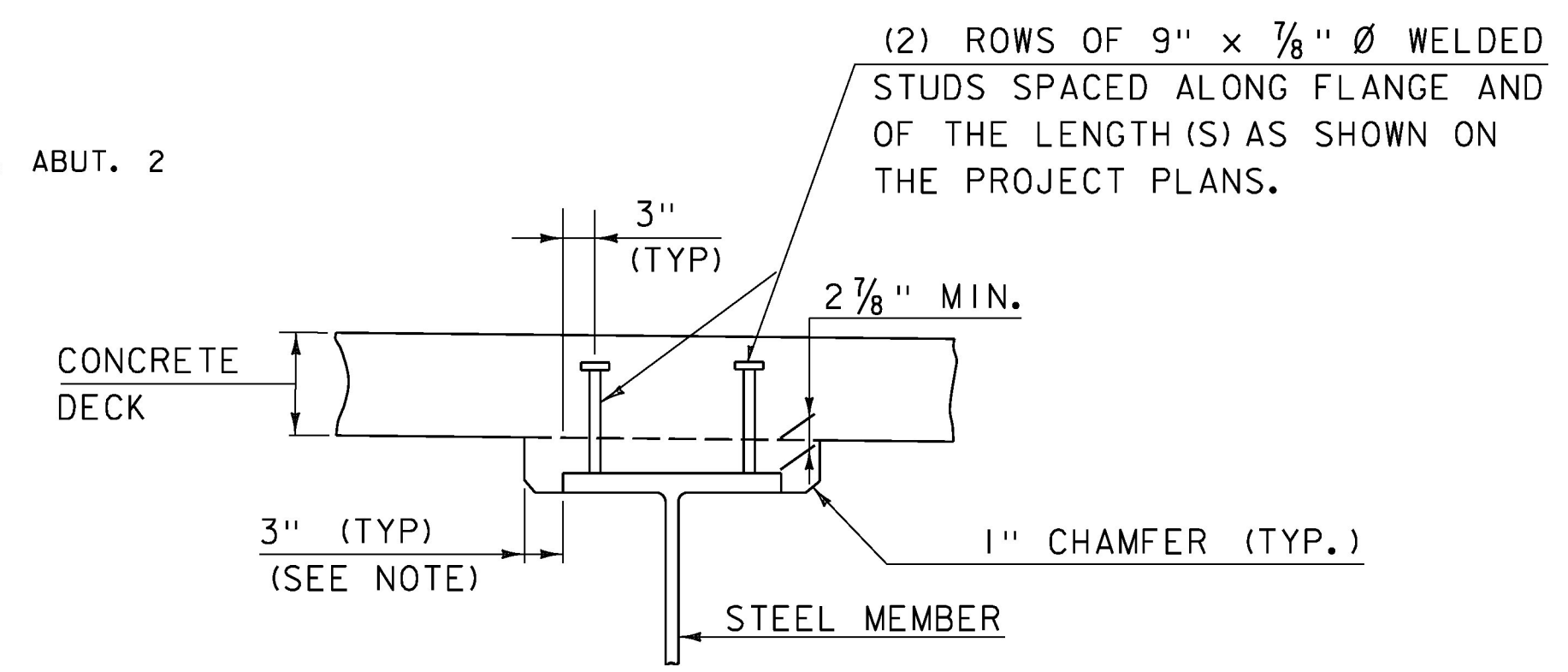
FRAMING PLAN
SCALE: 1/8" = 1'-0"



GIRDER ELEVATION
HORIZONTAL SCALE: 1/8" = 1'-0"
VERTICAL SCALE: 1/2" = 1'-0"

	GIRDER DIMENSIONS				SHEAR CONNECTOR SPACING		SHEAR CONNECTORS PER GIRDER
	A	L	D	RADIUS	E	F	
GIRDER 1	142.57'	143.32'	48'	785.50'	1 SP. AT 9 1/2" = 9 1/2"	117 SP. AT 15" = 146'-3"	240
GIRDER 2	143.88'	144.63'	48'	792.75'	1 SP. AT 9 1/8" = 9 1/8"	116 SP. AT 15" = 145'-0"	238
GIRDER 3	145.20'	145.95'	51'	800.00'	1 SP. AT 8 3/4" = 8 3/4"	115 SP. AT 15" = 143'-9"	236
GIRDER 4	146.51'	147.26'	45'	807.25'	1 SP. AT 8 1/4" = 8 1/4"	114 SP. AT 15" = 142'-6"	234
GIRDER 5	147.83'	148.58'	48'	814.50'	1 SP. AT 7 1/8" = 7 1/8"	113 SP. AT 15" = 141'-3"	232
							1180 TOTAL

* IF THE BOLTED FIELD SPLICE IS OMITTED THE GIRDER SHALL BE PROVIDED IN ONE CONTINUOUS LENGTH.

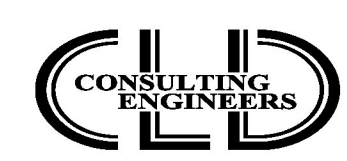


NOTES:

1. THE 3" HORIZONTAL SECTION MAY BE ELIMINATED FOR FORMING SYSTEMS DESIGNED FOR THE CONSTRUCTION OF VERTICAL HAUNCHES. ANY VOIDS RESULTING FROM FORMING SYSTEM ELEMENTS SHALL BE FILLED WITH JOINT SEALER, POLYURETHANE MEETING THE REQUIREMENTS OF SECTION 524. THE COST OF THE JOINT SEALER, POLYURETHANE SHALL BE INCIDENTAL TO THE ADJACENT CONCRETE.
2. SHEAR CONNECTORS AT THE FIELD SPLICE SHALL BE ARRANGED TO CLEAR FASTENERS AND SHALL BE WELDED TO THE SPLICE PLATE.

HAUNCH AND SHEAR CONNECTOR DETAIL
SCALE: 3/4" = 1'-0"

CLD 12-0120 MODEL: Framing Plan



PROJECT NAME: STOWE	PLOT DATE: 5/13/2015
PROJECT NUMBER: BRF 0235(15)	DRAWN BY: M. SMITH
FILE NAME: z88c190sup.dgn	CHECKED BY: J. BYATT
PROJECT LEADER: J. BYATT	SHEET 37 OF 79
DESIGNED BY: J. FRENCH	
FRAMING PLAN AND DETAILS (10F 2)	