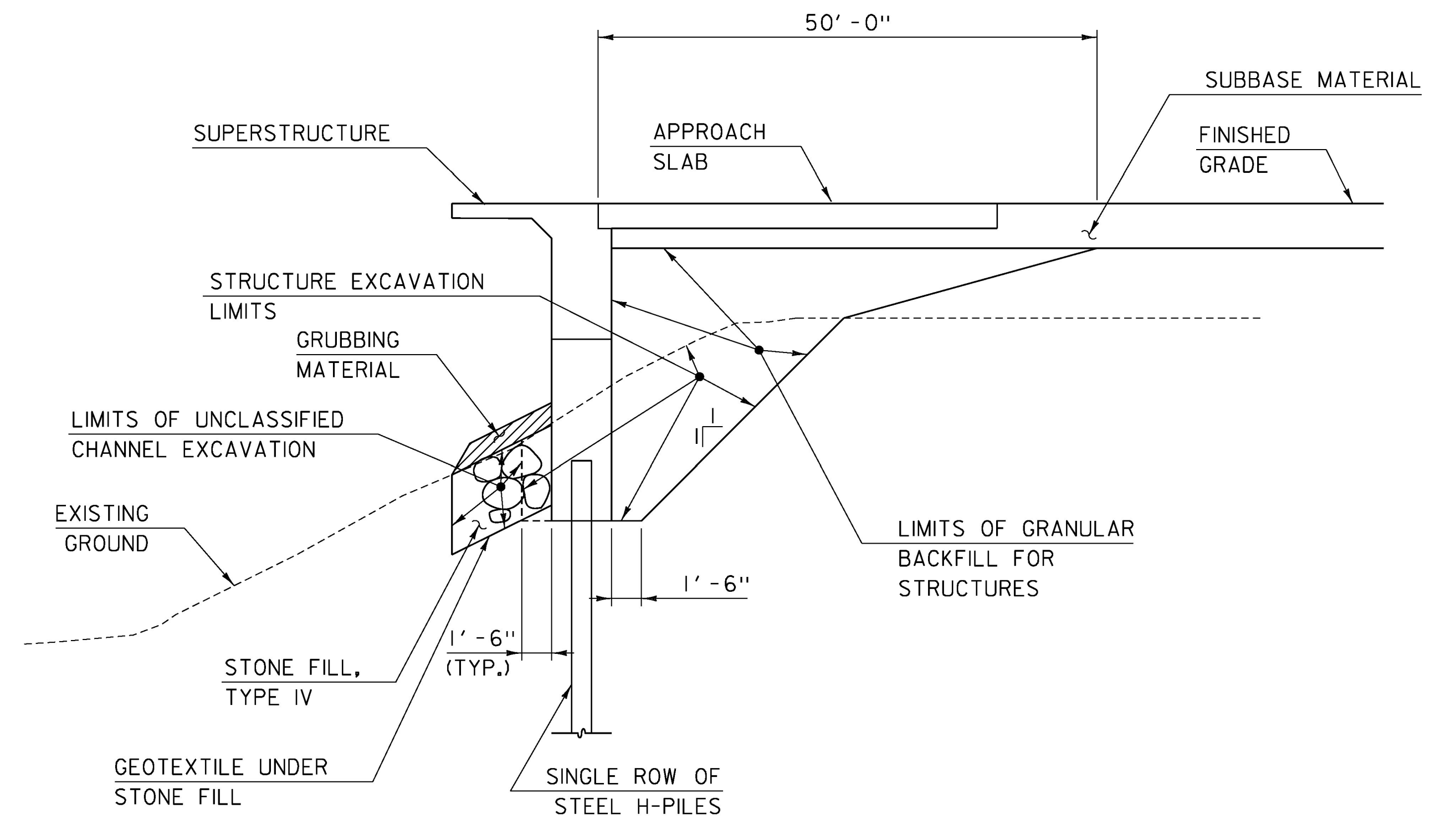


TYPICAL ABUT. 1 EARTHWORK SECTION

SCALE: 3/16" = 1'-0"

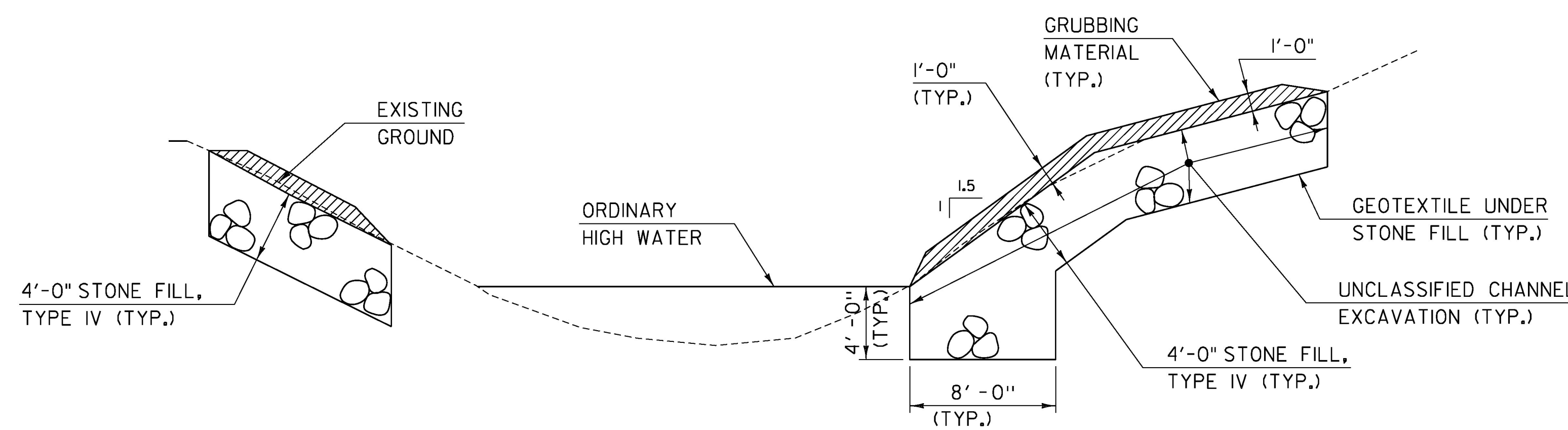
- 1. ACTUAL EXCAVATION LIMITS SHALL BE DETERMINED BY THE CONTRACTOR. HOWEVER, PAYMENT UNDER CONTRACT ITEM 204.25 WILL ONLY BE MADE TO THE LIMITS SHOWN.



TYPICAL ABUT. 2 EARTHWORK SECTION

SCALE: 3/16" = 1'-0"

- 1. ACTUAL EXCAVATION LIMITS SHALL BE DETERMINED BY THE CONTRACTOR. HOWEVER, PAYMENT UNDER CONTRACT ITEM 204.25 WILL ONLY BE MADE TO THE LIMITS SHOWN.



TYPICAL CHANNEL SECTION

SCALE: 3/16" = 1'-0"

- WHENEVER CHANNEL SLOPE INTERSECTS ROADWAY SUBBASE, GRUBBING MATERIAL SHALL BEGIN AT THE BOTTOM OF SUBBASE.

CLD 12-010 MODEL: TYPICAL EARTH WORKS



PROJECT NAME: STOWE	PLOT DATE: 5/8/2015
PROJECT NUMBER: BRF 0235(15)	DRAWN BY: M. SMITH
FILE NAME: z88cl90sub.dgn	DESIGNED BY: J. FRENCH
TYPICAL EARTHWORK SECTIONS	CHECKED BY: J. BYATT
	SHEET 7 OF 79