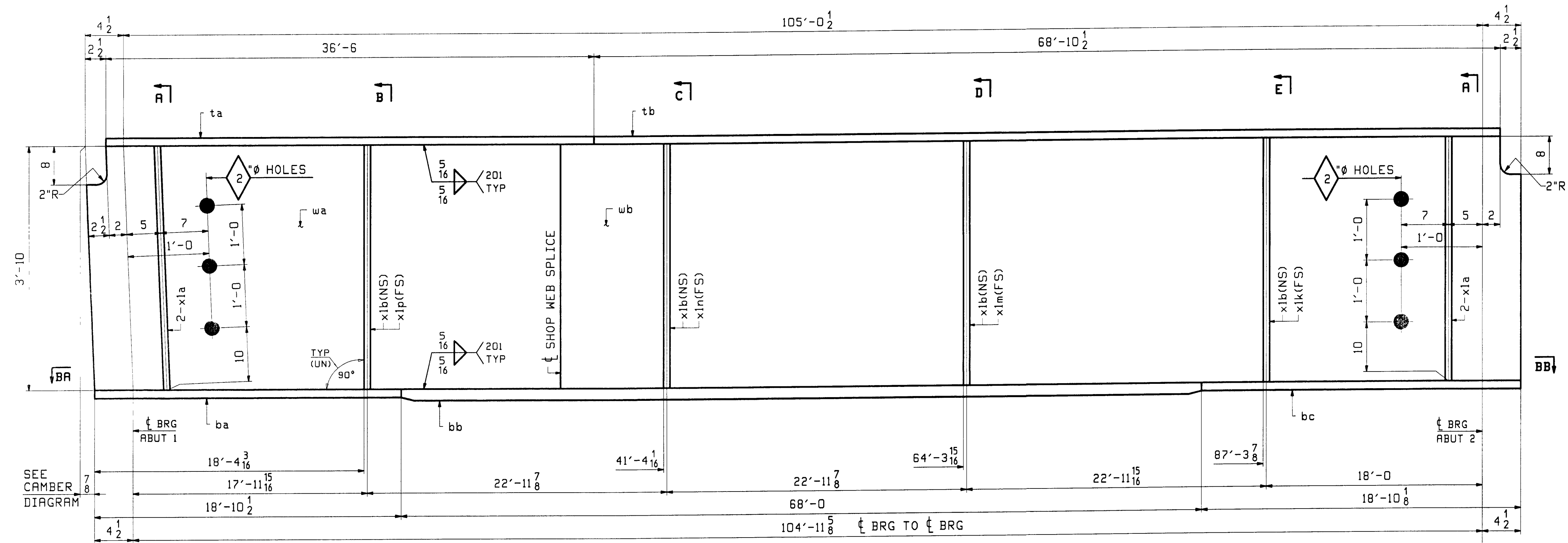
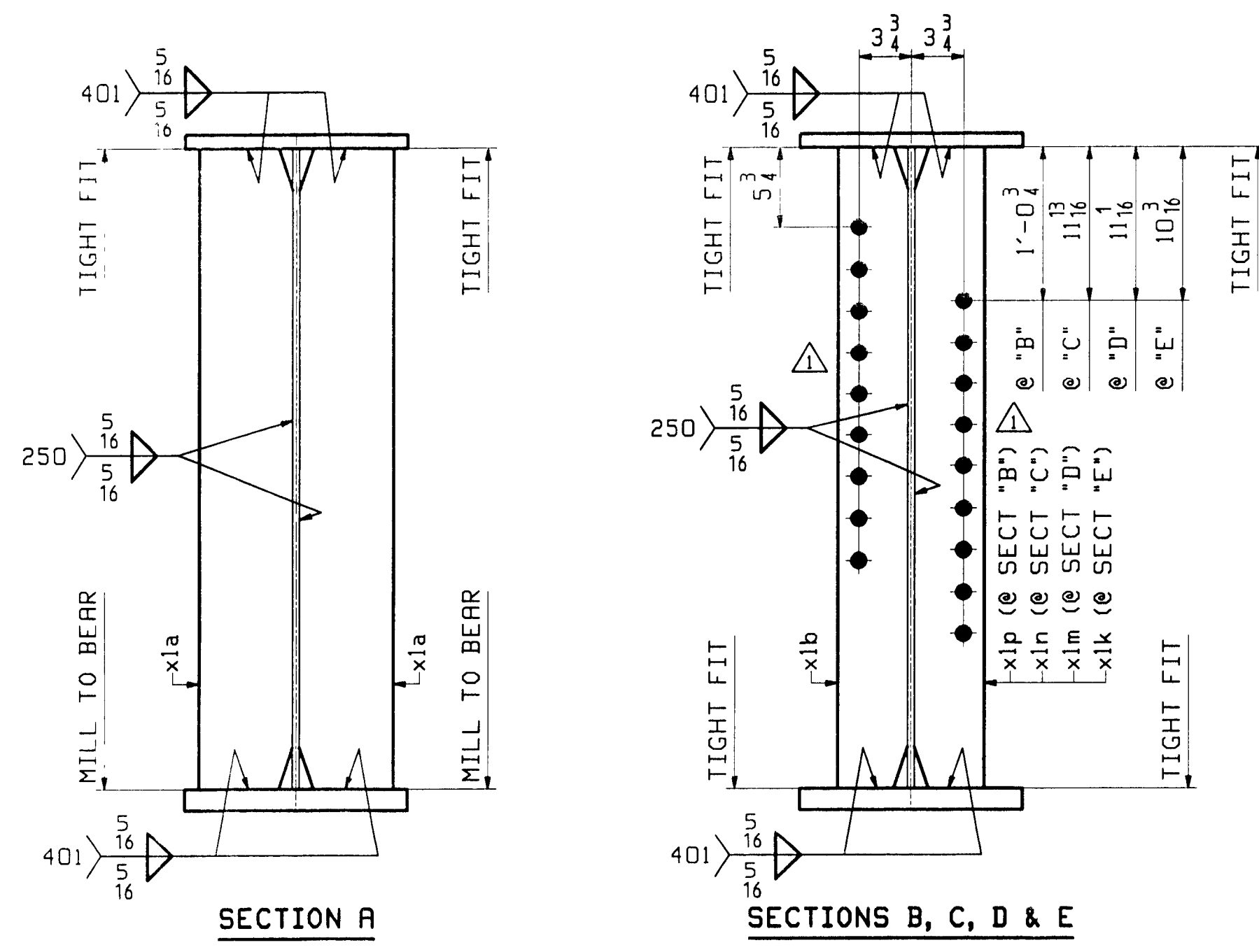
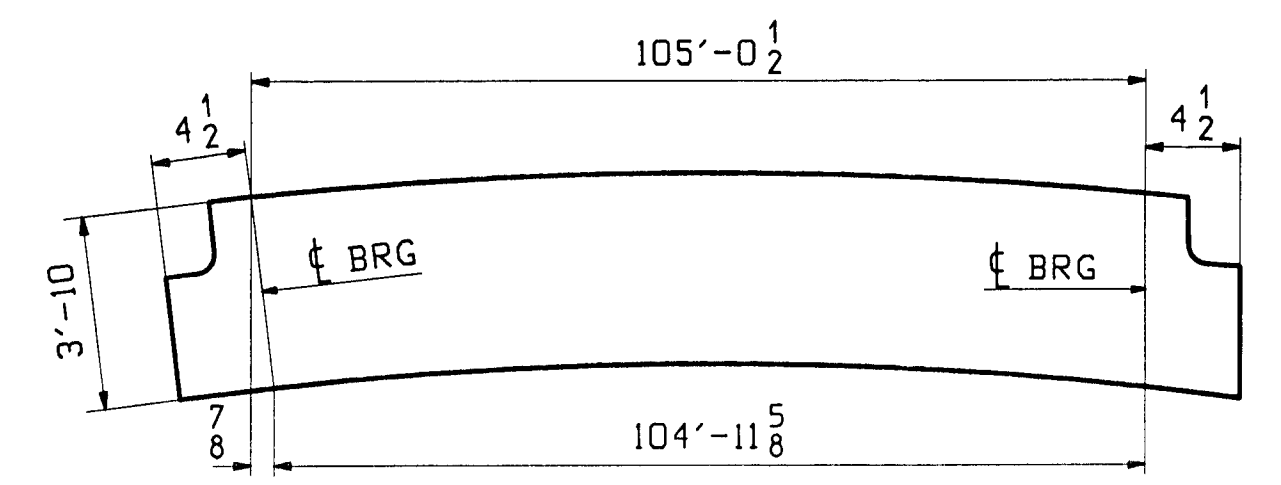
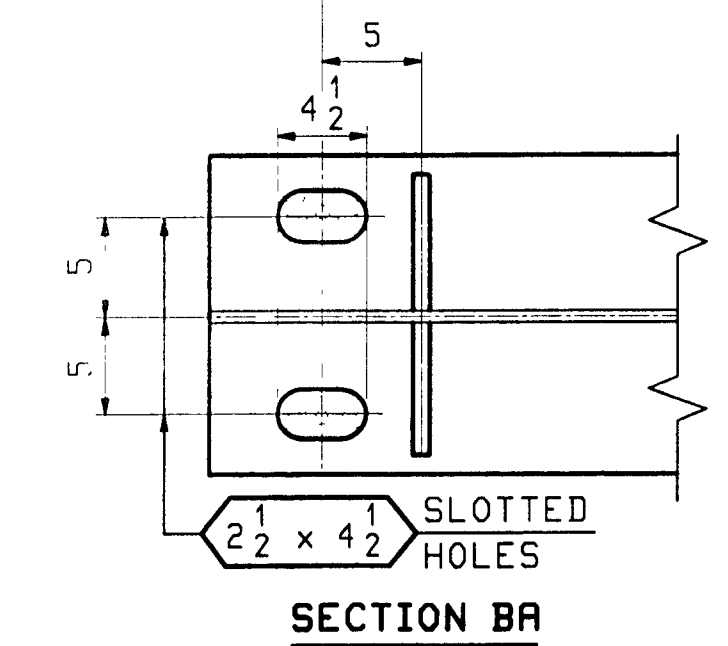
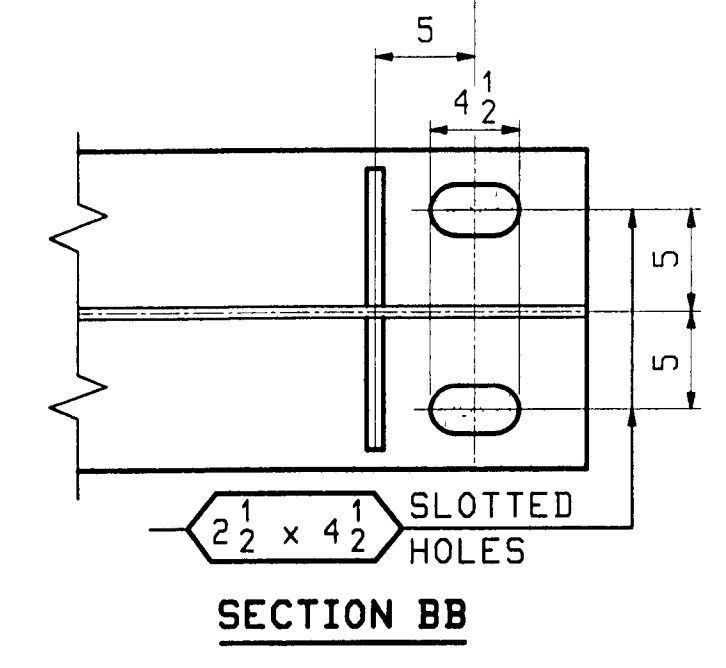


ABM INFO		SHIP				BILL OF MATERIAL		JOB NO.	DRAWING NO.	REV.
								369	2	
PRGE LINE	MARK	QTY	MARK	MATERIAL	LENGTH		REMARKS	WT	PROCUREMENT NOTES	
					FT	INCHES				
	2G2	1		GIRDER				2345		
1	L	1	wa	PL 1/2 x 4 1/2	33	6 7/8	(A709-50WT2) (42-3)			
1	J	1	wb	PL 1/2 x 4 1/2	72	2 7/8	(A709-50WT2) (42-3)			
1	E	1	ta	PL 1x16	36	6	(A709-50WT2) (42-3)			
1	C	1	tb	PL 1x16	68	10 1/2	(A709-50WT2) (42-3)			
1	G	1	ba	PL 1x16	18	10 1/2	(A709-50WT2) (42-3)			
1	A	1	bb	PL 1 7/8 x 16	68	0	(A709-50WT2) (42-3)			
1	G	1	bc	PL 1x16	18	10 1/2	(A709-50WT2) (42-3)			
2	B	4	x1a	PL 1/2 x 5 1/2	3	10	MJE			
2	C	4	x1b	PL 1/2 x 5	3	10				
2	C	1	x1k	PL 1/2 x 5	3	10				
2	C	1	x1m	PL 1/2 x 5	3	10				
2	C	1	x1n	PL 1/2 x 5	3	10				
2	C	1	x1p	PL 1/2 x 5	3	10				



**ONE - GIRDER - 2G2**

FOR GIRDER STANDARDS SEE DRAWING X1.  
 FOR CAMBER & FLANGE DIAGRAMS SEE DRAWING C1.  
 FOR GENERAL NOTES & WELD PROCEDURES SEE DRAWING GNI.  
 H2-3 DENOTES MATERIAL SUBJECT TO CHARPY V-NOTCH TESTING.



REV.	DATE	REMARKS	DWN	CHK	APVL	SHOP
6/18		ADDED HOLES (STIFFENER)	ZAD	WL		5/28/08
						6/28/08
MATERIAL:		SURFACE PREP & PAINT.	HOLES:		SHOP BOLTS:	
A709-50W (UN)		SEE DWG GNI	1 1/2" Ø		NONE	
DESCRIPTION: GIRDER - 2G2						
CASCO BAY STEEL STRUCTURES, INC.						
75 SPRING HILL ROAD			SACO, MAINE 04072			
PHONE (207) 282-7360			FAX. (207) 282-1179			
STRUCTURE: ROUTE No. VT 11 MINOR ARTERIAL BRIDGE NO. 43 OVER MIDDLE BRANCH OF WILLIAMS RIVER TOWN OF CHESTER COUNTY OF WINDSOR				DRWN:	JTB	DATE: 05/01
				CHKD:	JF	DATE: 05/21
LOCATION: CHESTER, VT				JOB NO.	369	
PROJ NO. BRF 016-1(25)				DWG NO.		2
CUSTOMER: VT ROT				REV.		2