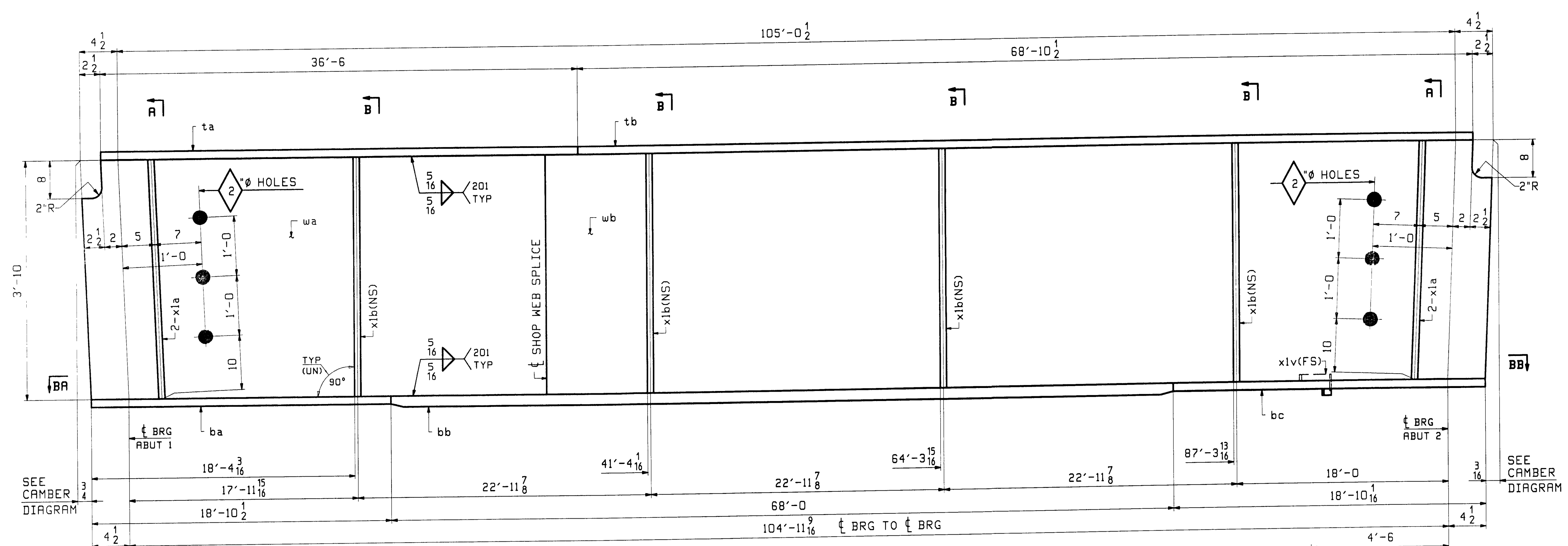
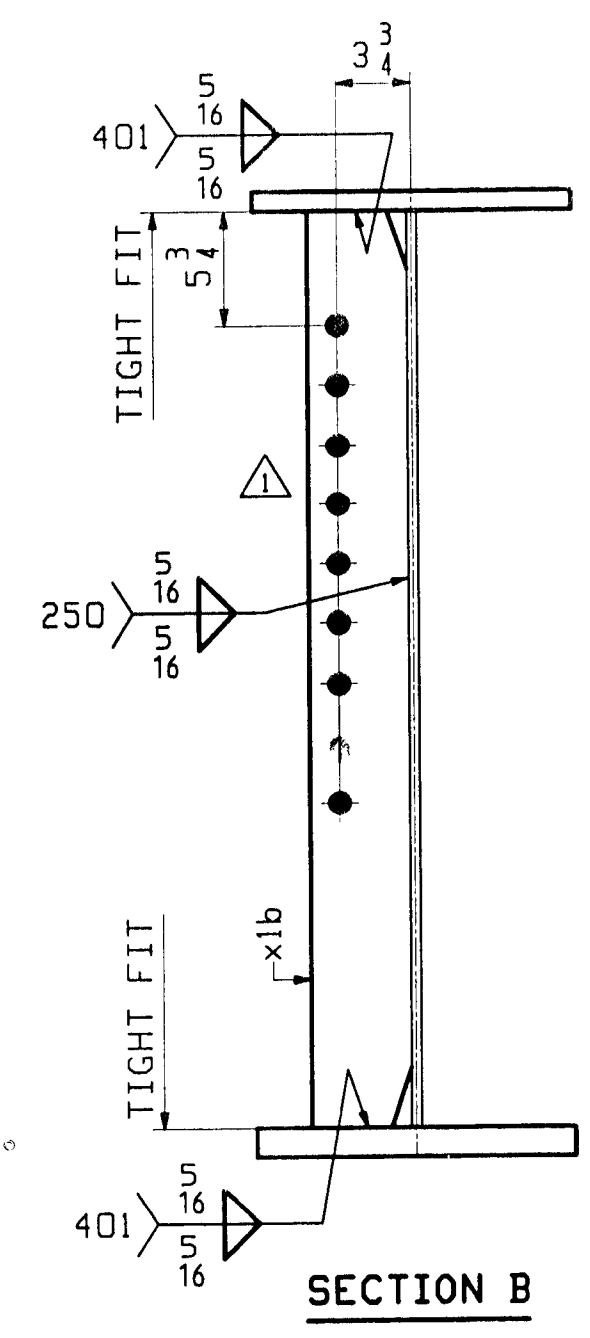
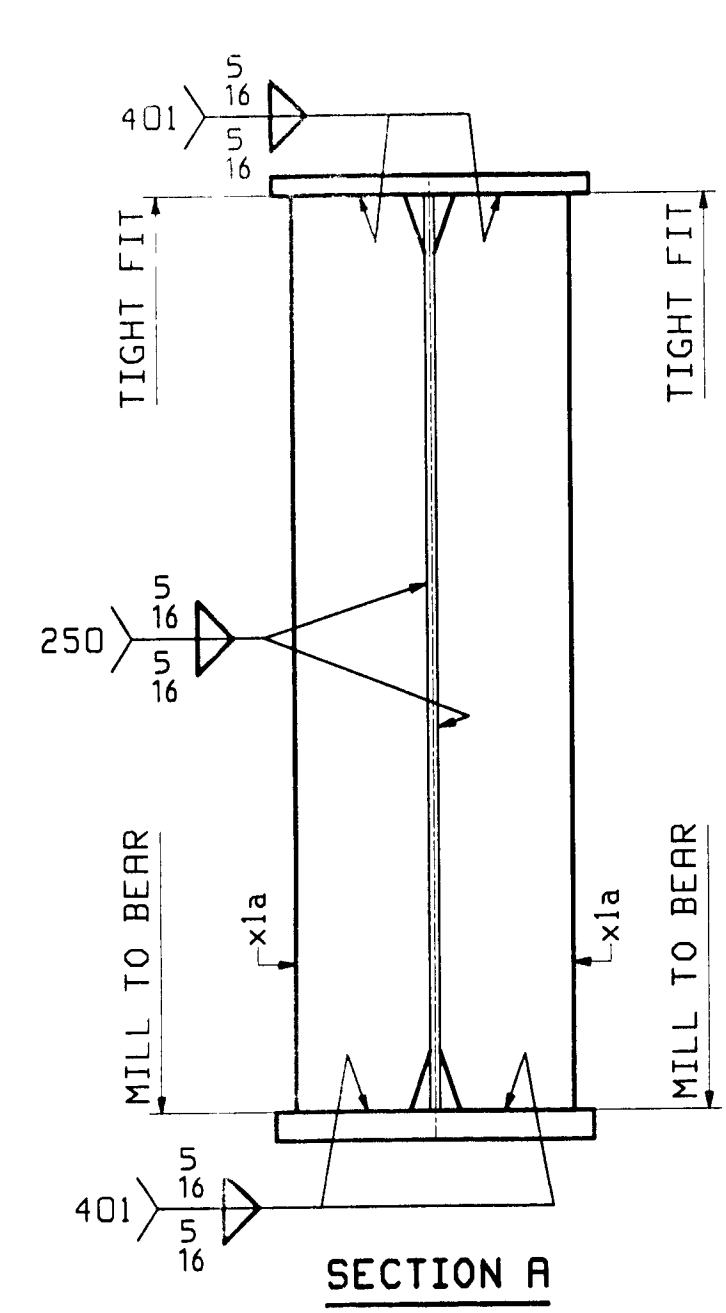
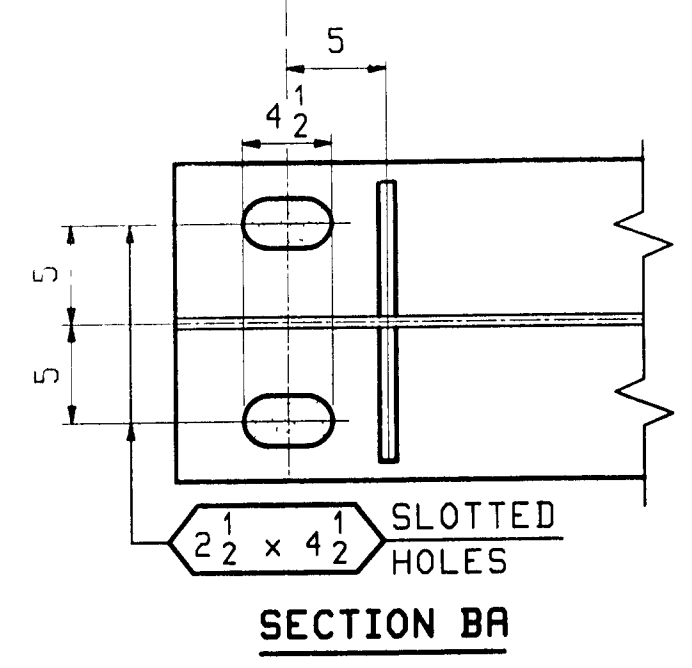
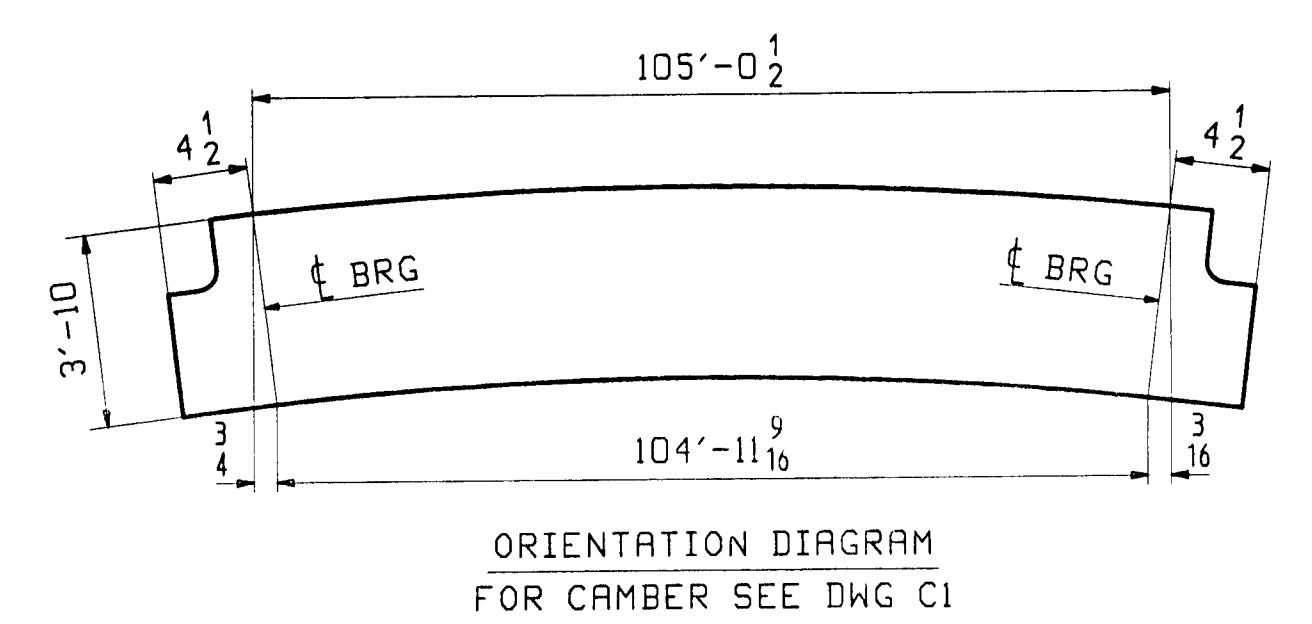
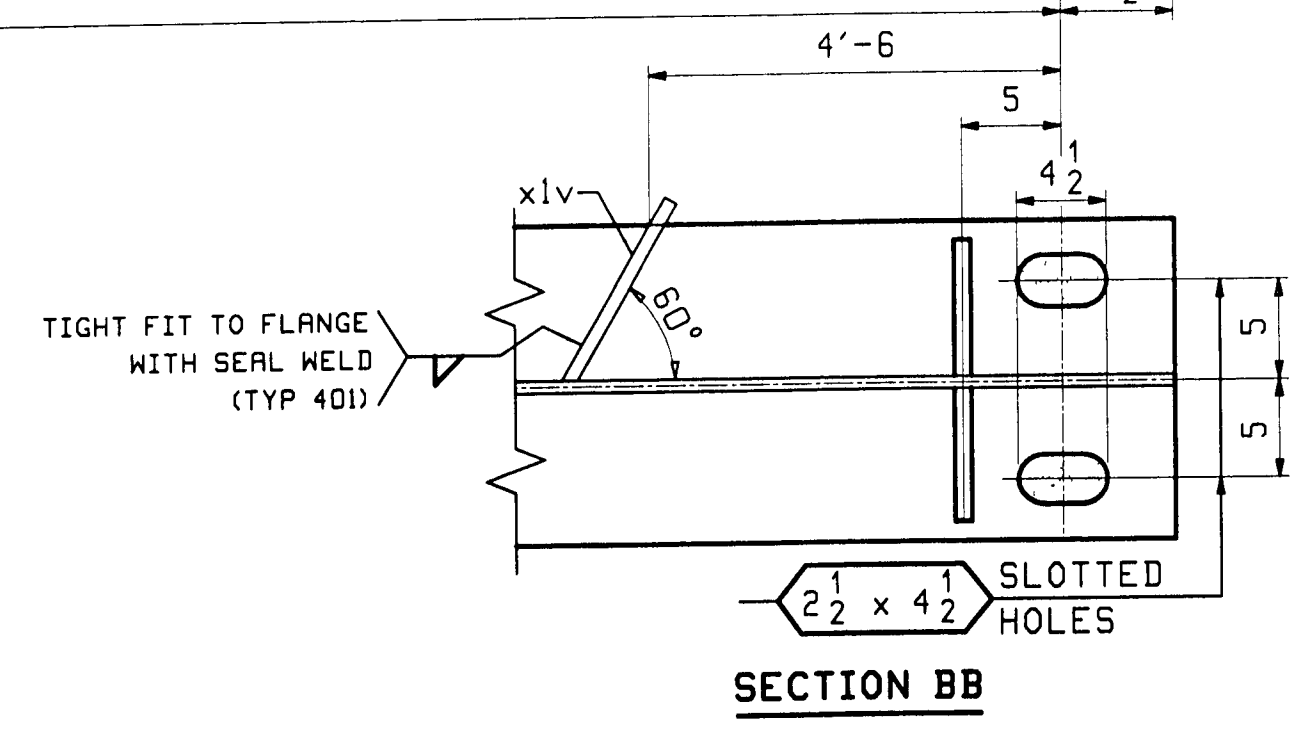


JOB NO.		DRAWING NO.		REV.			
369		1					
ABM INFO	SHIP	BILL OF MATERIAL		REMARKS	HT	PROCUREMENT NOTES	
PAGE	LINE	MARK	QTY	MARK	MATERIAL	LENGTH FT INCHES	
		IG1	1		GIRDER		2332
1	L		1	wa	PL 1/2 x 46	33 6 3/4	(A709-50WT2) (H2-3)
1	J		1	wb	PL 1/2 x 46	72 2 13/16	(A709-50WT2) (H2-3)
1	E		1	ta	PL 1x16	36 6	(A709-50WT2) (H2-3)
1	C		1	tb	PL 1x16	68 10 1/2	(A709-50WT2) (H2-3)
1	G		1	ba	PL 1x16	18 10 1/2	(A709-50WT2) (H2-3)
1	A		1	bb	PL 1 7/8 x 16	68 0	(A709-50WT2) (H2-3)
1	G		1	bc	PL 1x16	18 10 1/4	(A709-50WT2) (H2-3)
2	B		4	x1a	PL 1/2 x 6 3/4	3 10	MIE
2	C		4	x1b	PL 1/2 x 5	3 10	
2	D		1	x1v	PL 1/4 x 3	0 11 1/16	



ONE - GIRDER - IG1

FOR GIRDER STANDARDS SEE DRAWING X1.
 FOR CAMBER & FLANGE DIAGRAMS SEE DRAWING C1.
 FOR GENERAL NOTES & WELD PROCEDURES SEE DRAWING GNI.
 H2-3 DENOTES MATERIAL SUBJECT TO CHARPY V-NOTCH TESTING.



REV.	DATE	REMARKS	DWN	CHK	APVL	SHOP
6/18		ADDED HOLES (STIFFENER)	ZAD	WL		5/25/08
						6/20/08
MATERIAL		SURFACE PREP & PAINT	HOLES		SHOP BOLTS.	
A709-50W (UN)		SEE DWG GNI	15-φ		NONE	
DESCRIPTION: GIRDER - IG1						
CASCO BAY STEEL STRUCTURES, INC. 75 SPRING HILL ROAD SACO, MAINE 04072 PHONE (207) 282-7360 FAX (207) 282-1179						
STRUCTURE: ROUTE No. VT 11 MINOR ARTERIAL BRIDGE NO 43 OVER MIDDLE BRANCH OF WILLIAMS RIVER TOWN OF CHESTER COUNTY OF WINDSOR				DRAWN: JTB	DATE: 05/01	
LOCATION: CHESTER, VT				CHKD: JF	DATE: 05/21	
PROJ NO. BRF D16-1(25)		JOB NO. 369		DWG NO. 1		
CUSTOMER: VT AOT				REV. Δ		

Z10 Wed Jun 16 09:54:50 PM 2009 p:\a\2785\1 Rev1