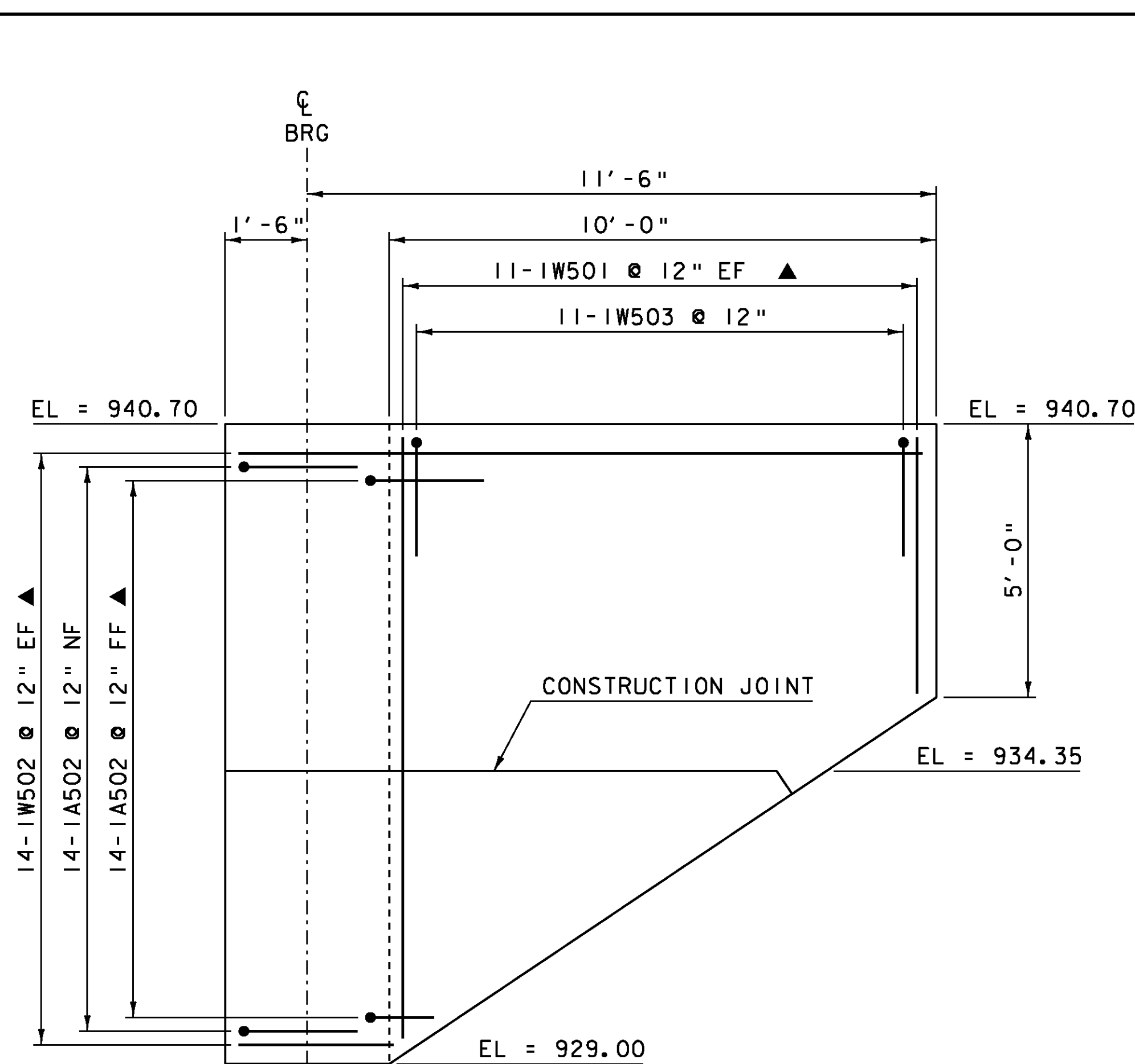
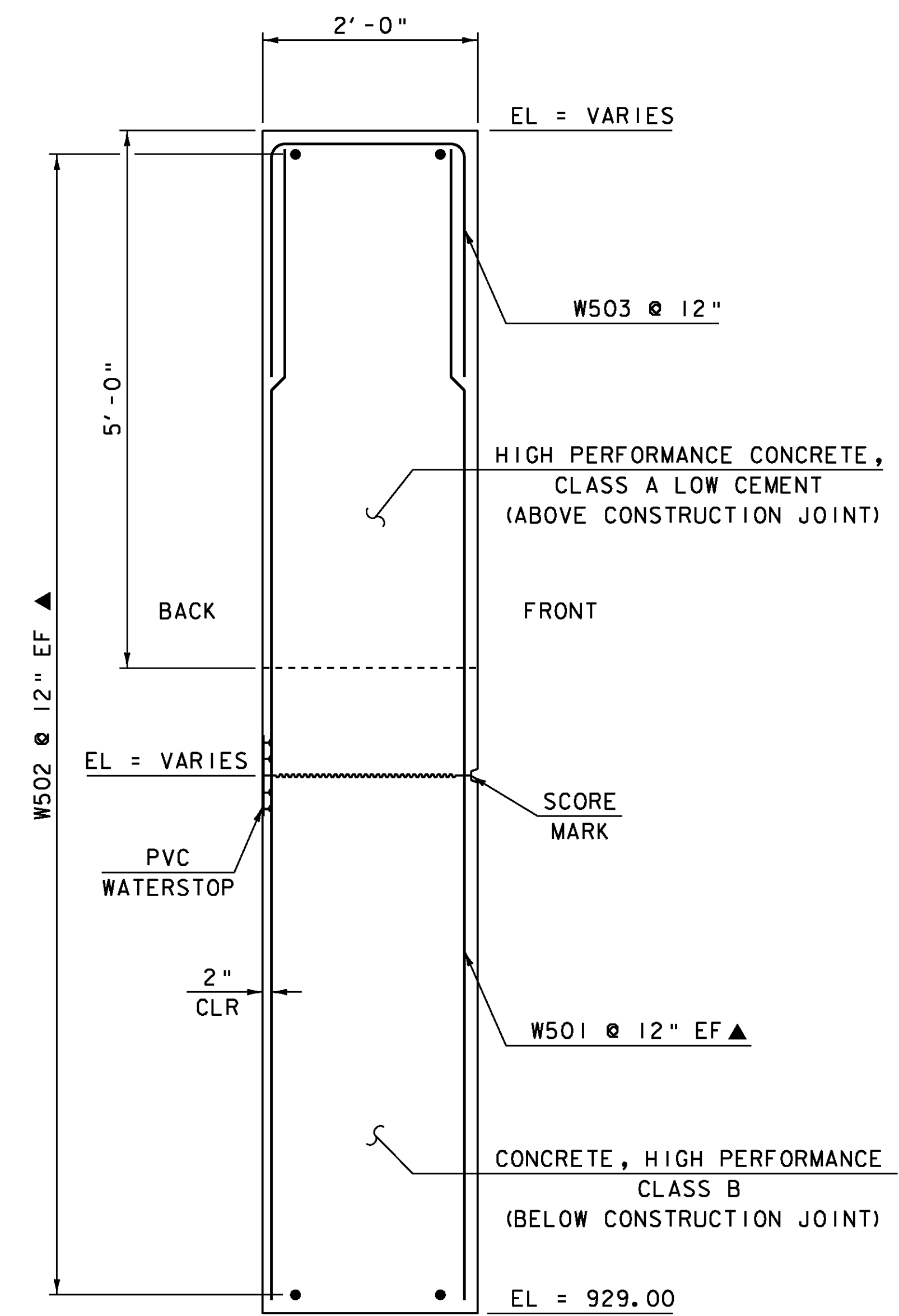


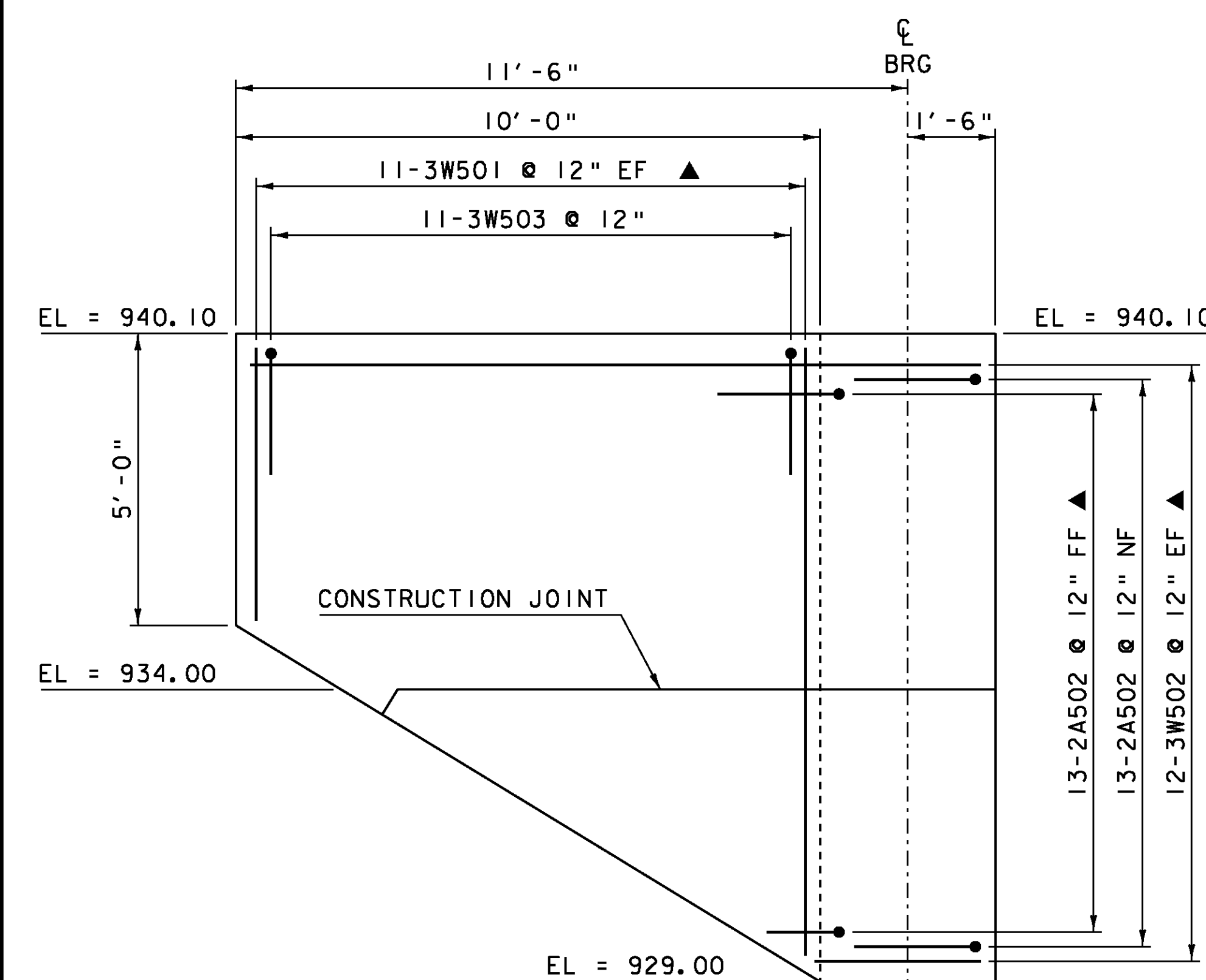
**WINGWALL #2 ELEVATION**  
SCALE 1/2" = 1'-0"



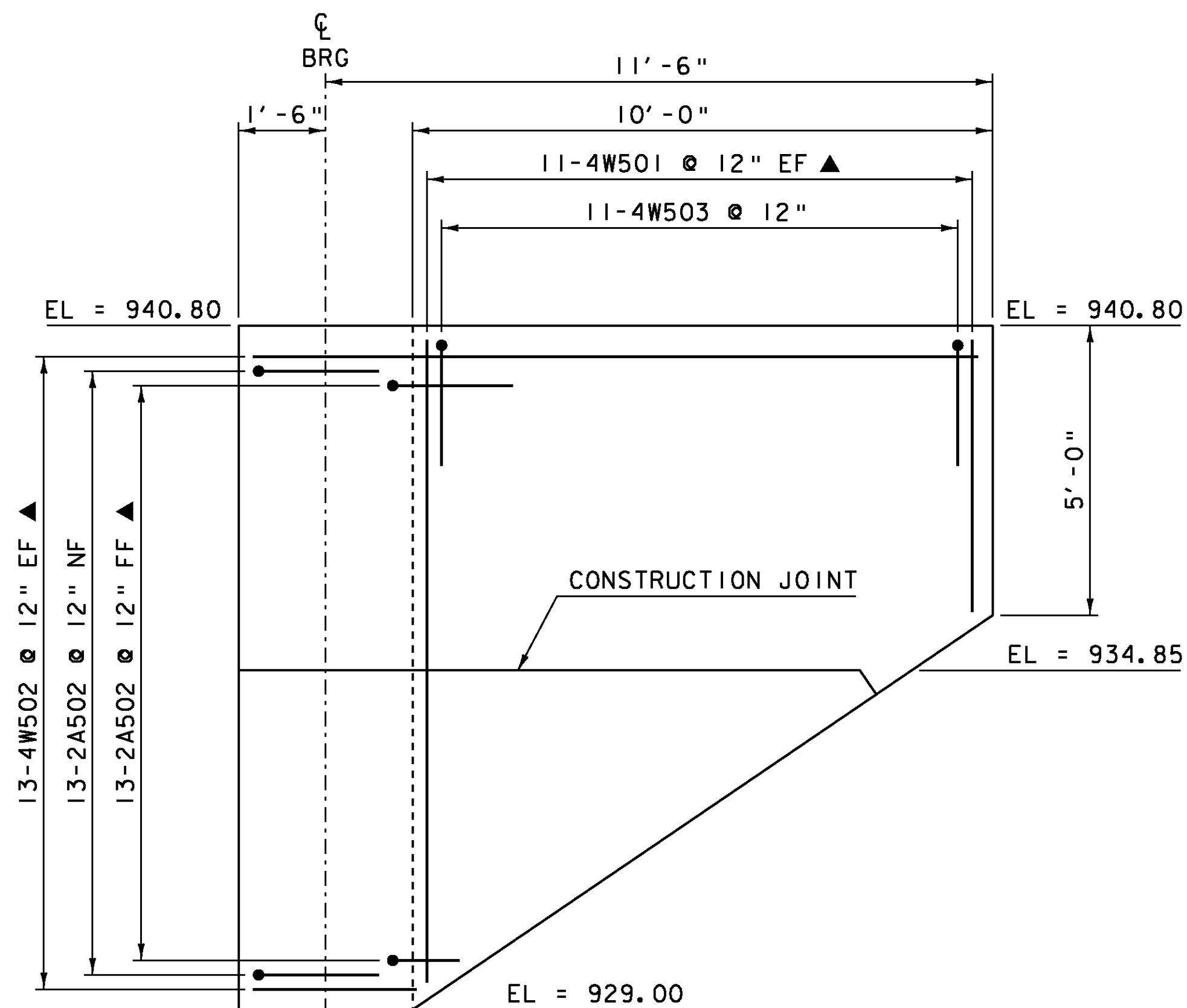
**WINGWALL #1 ELEVATION**  
SCALE 1/2" = 1'-0"



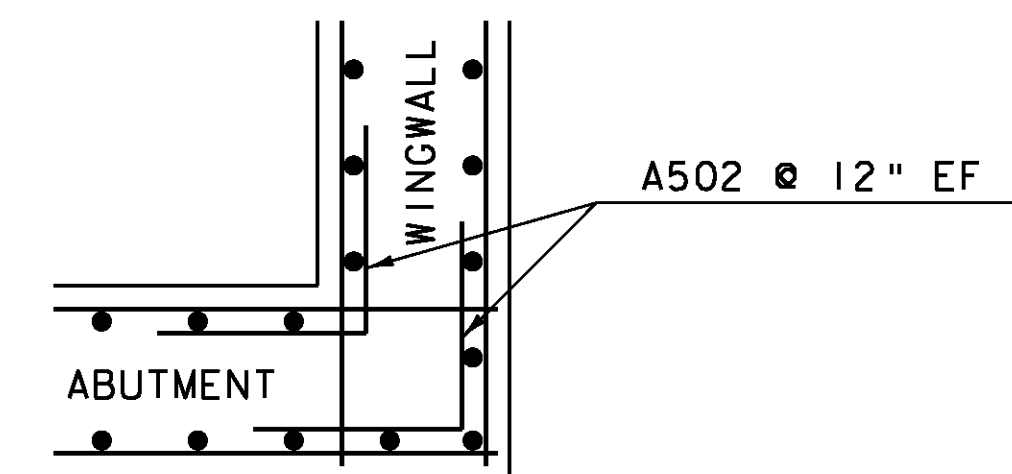
**WINGWALL TYPICAL SECTION**  
SCALE 1" = 1'-0"



**WINGWALL #3 ELEVATION**  
SCALE 1/2" = 1'-0"



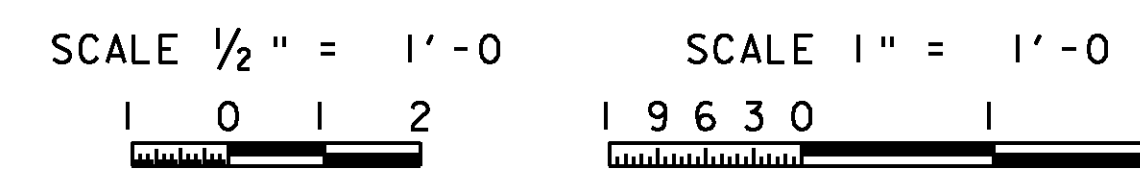
**WINGWALL #4 ELEVATION**  
SCALE 1/2" = 1'-0"



**TYPICAL CORNER DETAIL**  
SCALE 1/2" = 1'-0"

**NOTES:**

- NF = NEAR FACE
- FF = FAR FACE
- EF = EACH FACE
- ▲ = CUT TO FIT IN FIELD
- 3" CLEAR UNLESS OTHERWISE SPECIFIED ON THE PLANS
- ALL LAPS 2'-2" UNLESS OTHERWISE NOTED.
- ALL REINFORCING STEEL SHALL BE EPOXY COATED.



PROJECT: <b>CHESTER</b>	PROJECT NO.: <b>BRF 016-1 (25)</b>
DESIGN FILE NAME: s88b194\Structures\s88b194sub.dgn	PLOT DATE: 16-MAR-2011
IPARM FILE NAME: s88b194wwdet.i	DRAWN BY: E.L.RUSTAY
DESIGNED BY: E.L.RUSTAY	CHECKED BY: R.S.YOUNG
SQUAD LEADER: C.P.WILLIAMS	WINGWALL DETAILS
	SHEET: 30 OF 50