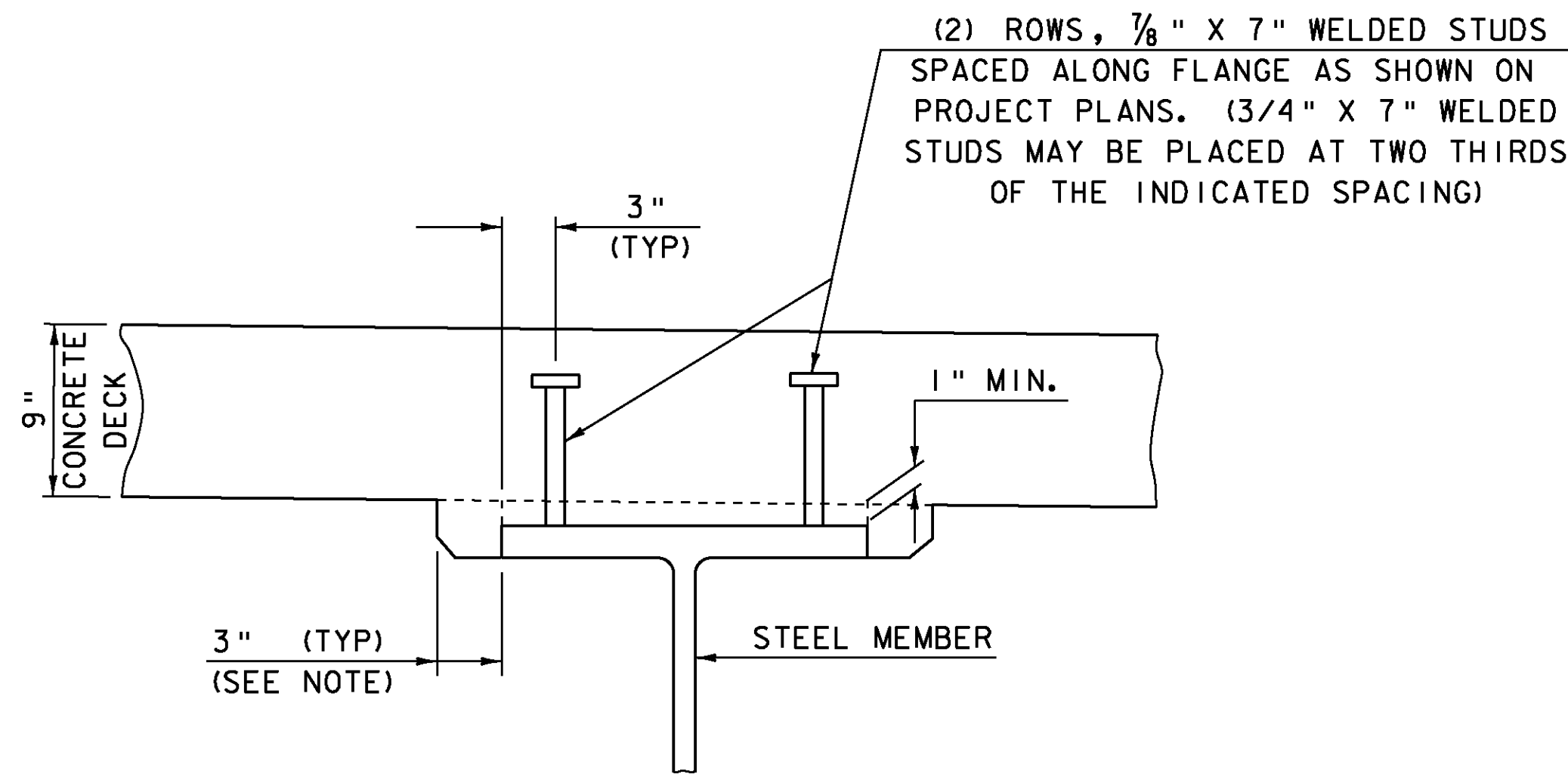


**ABUTMENT
BEARING STIFFENERS
FOR WELDED PLATE GIRDERS**

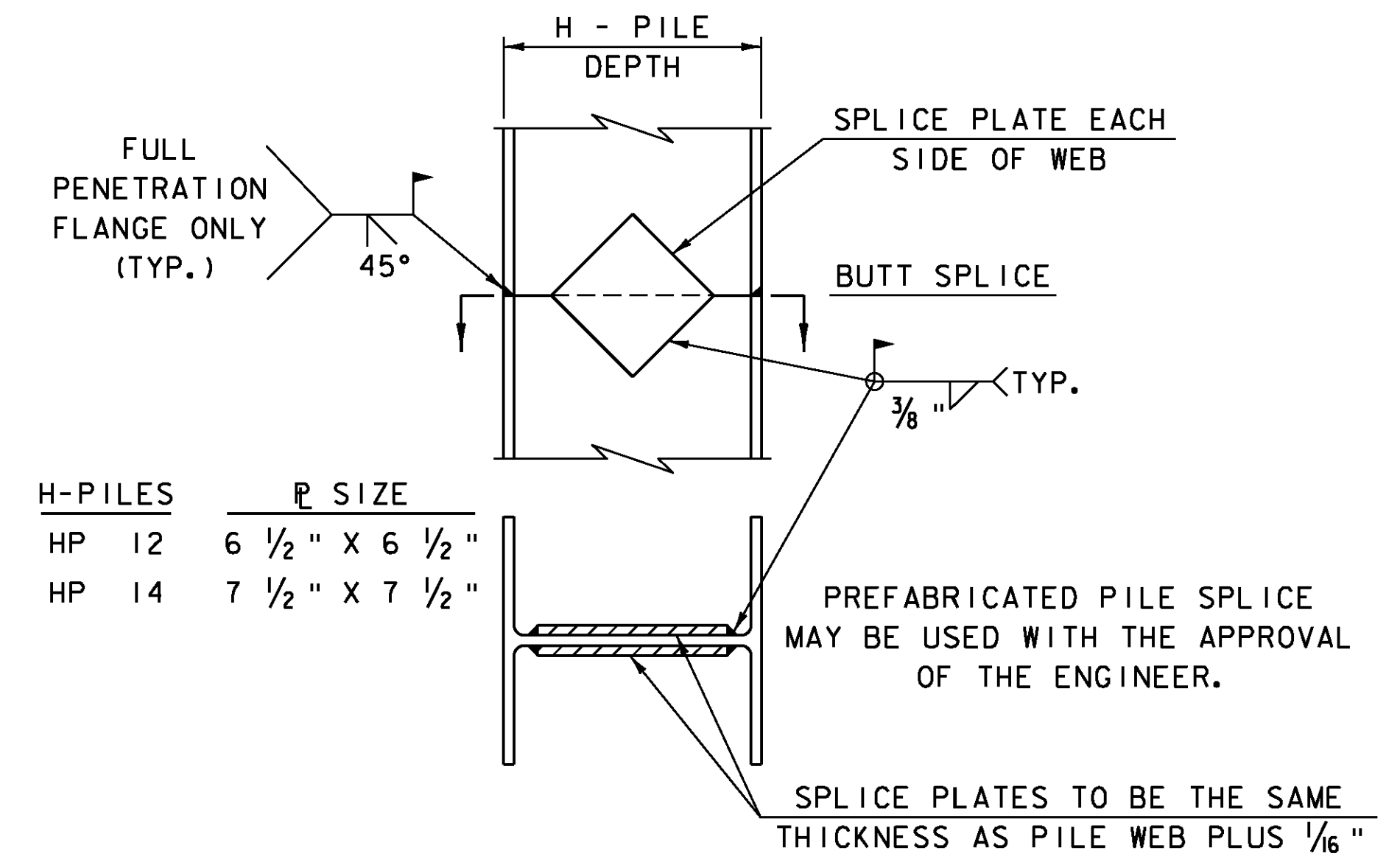
NTS



NOTE: THE 3" HORIZONTAL SECTION MAY BE ELIMINATED FOR FORMING SYSTEMS DESIGNED FOR THE CONSTRUCTION OF VERTICAL HAUNCHES. SYSTEMS SHALL BE SUBMITTED FOR APPROVAL TO THE STRUCTURES ENGINEER. ALL VOIDS SHALL BE FILLED WITH MORTAR, TYPE IV OR AN EQUIVALENT PRODUCT FROM THE APPROVED PRODUCTS LIST.

**HAUNCH AND SHEAR
CONNECTOR DETAILS**

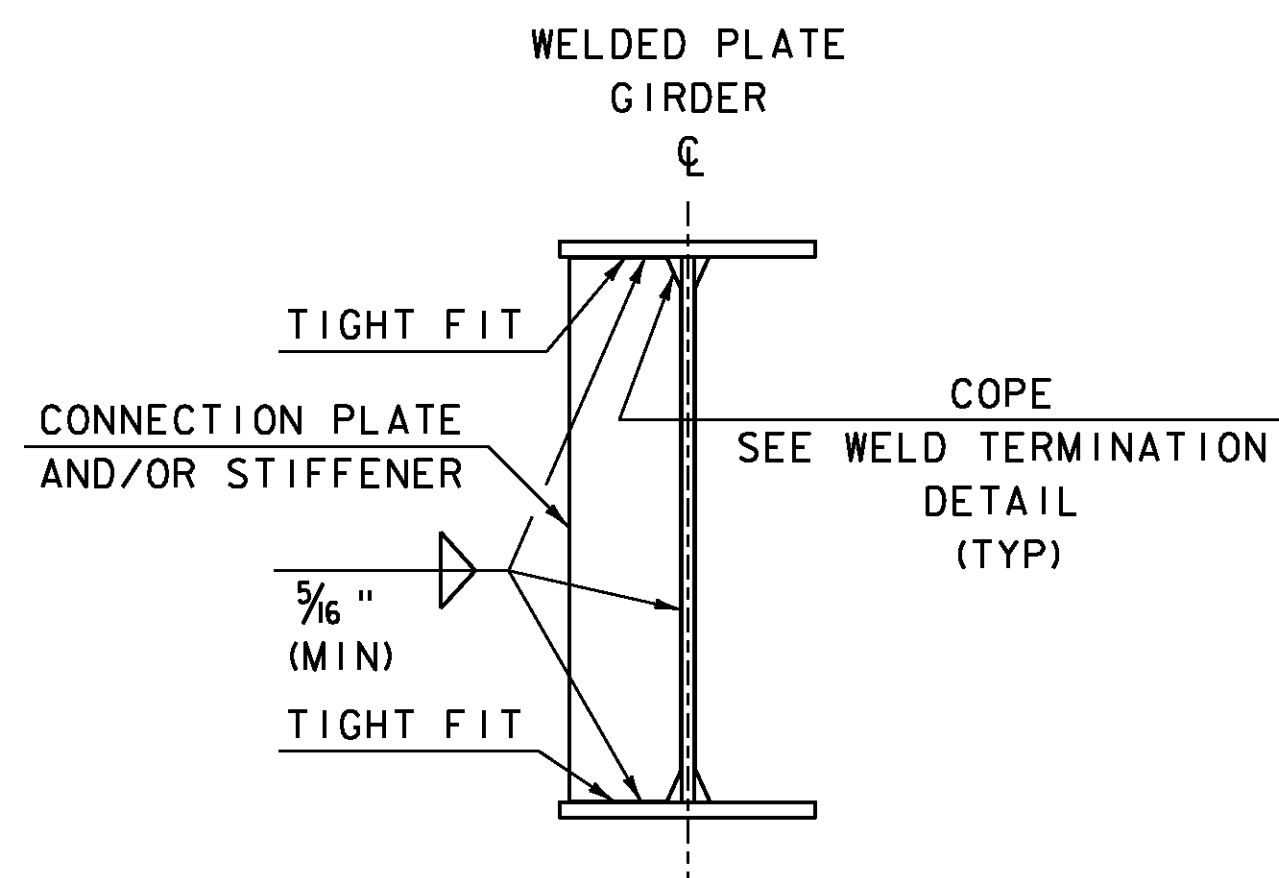
NTS



H-PILES	P SIZE
HP 12	6 1/2" X 6 1/2"
HP 14	7 1/2" X 7 1/2"

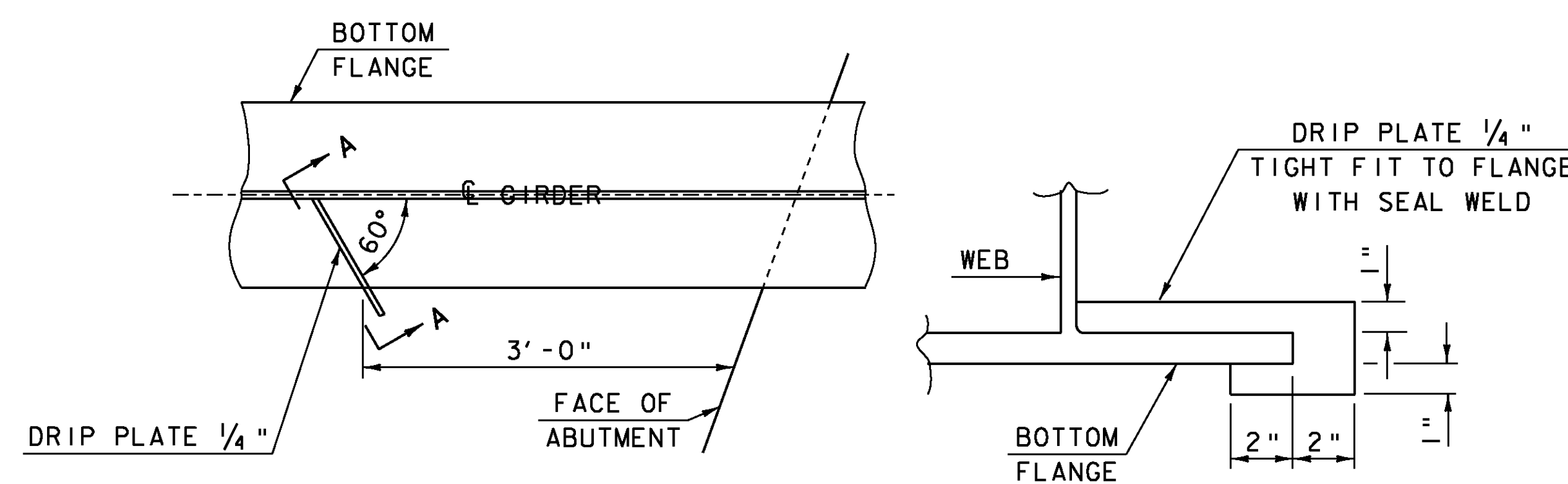
DETAIL OF PILE SPLICE

NTS



**INTERMEDIATE CONNECTION
PLATES AND/OR STIFFENERS
FOR WELDED PLATE GIRDERS**

NTS



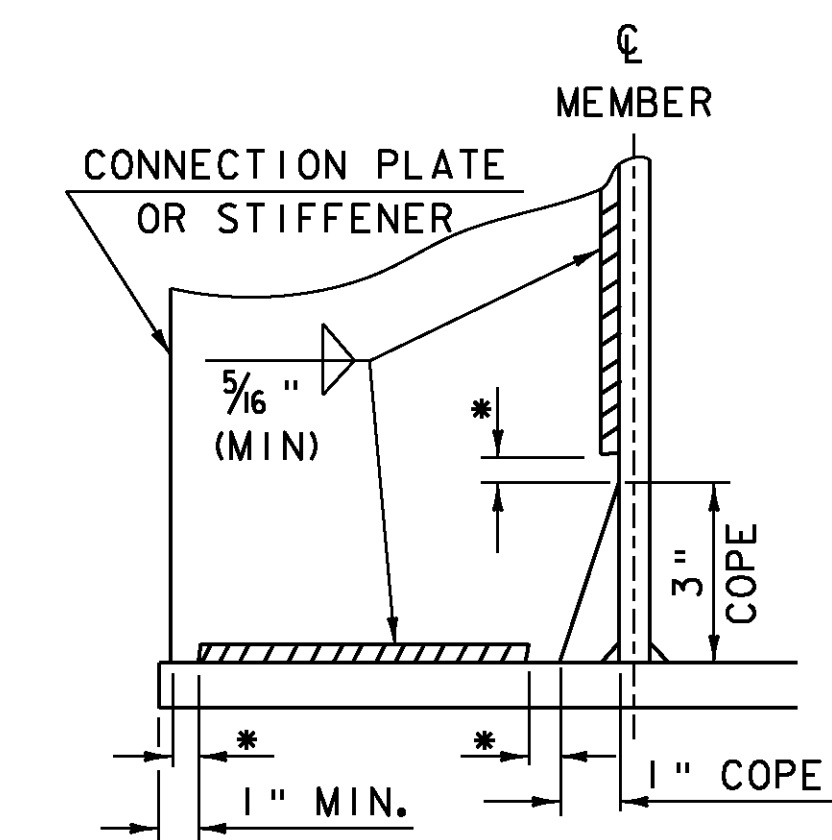
PLAN DRIP PLATE

NTS

SECTION A-A

NTS

NOTE: DRIP PLATES SHALL BE PLACED ON OUTSIDE EDGE OF FASCIA GIRDERS ON THE HIGH SIDE OF ALL PIERS AND ABUTMENTS OR AS INDICATED ON PROJECT PLANS.



**WELD TERMINATION AND COPING
DETAILS FOR STEEL MEMBERS**

NTS

* NO WELD FOR 3/8" MIN. 7/8" MAX. (EXCEPT MUST MAINTAIN 1" MINIMUM FROM EDGE OF FLANGE)

PROJECT: CHESTER	PROJECT NO.: BRF 016-1 (25)
DESIGN FILE NAME: Projects/88b194/structures/s88b194def.dgn	PLOT DATE: 16-MAR-2011
IPARM FILE NAME: s88b194ssd.i	DRAWN BY: H. I. SALLS
DESIGNED BY: H. I. SALLS	CHECKED BY: R. S. YOUNG
SQUAD LEADER: C. P. WILLIAMS	STRUCTURAL STEEL DETAILS
	SHEET: 26 OF 50