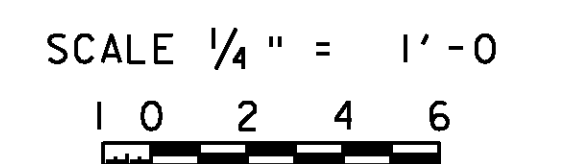
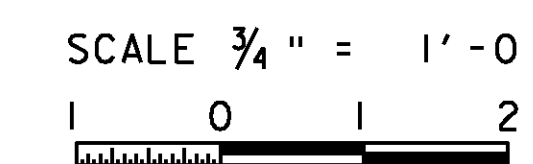
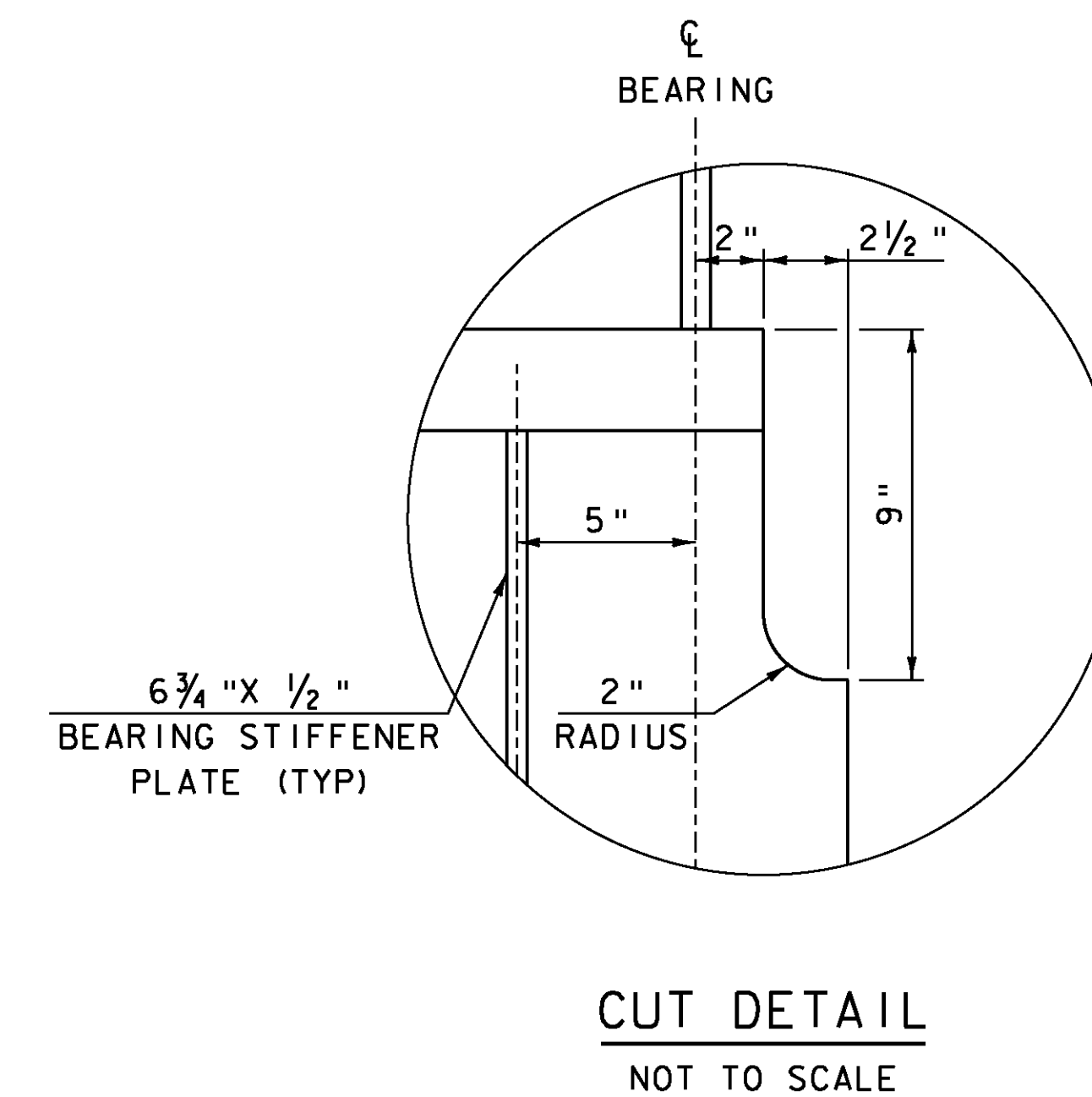
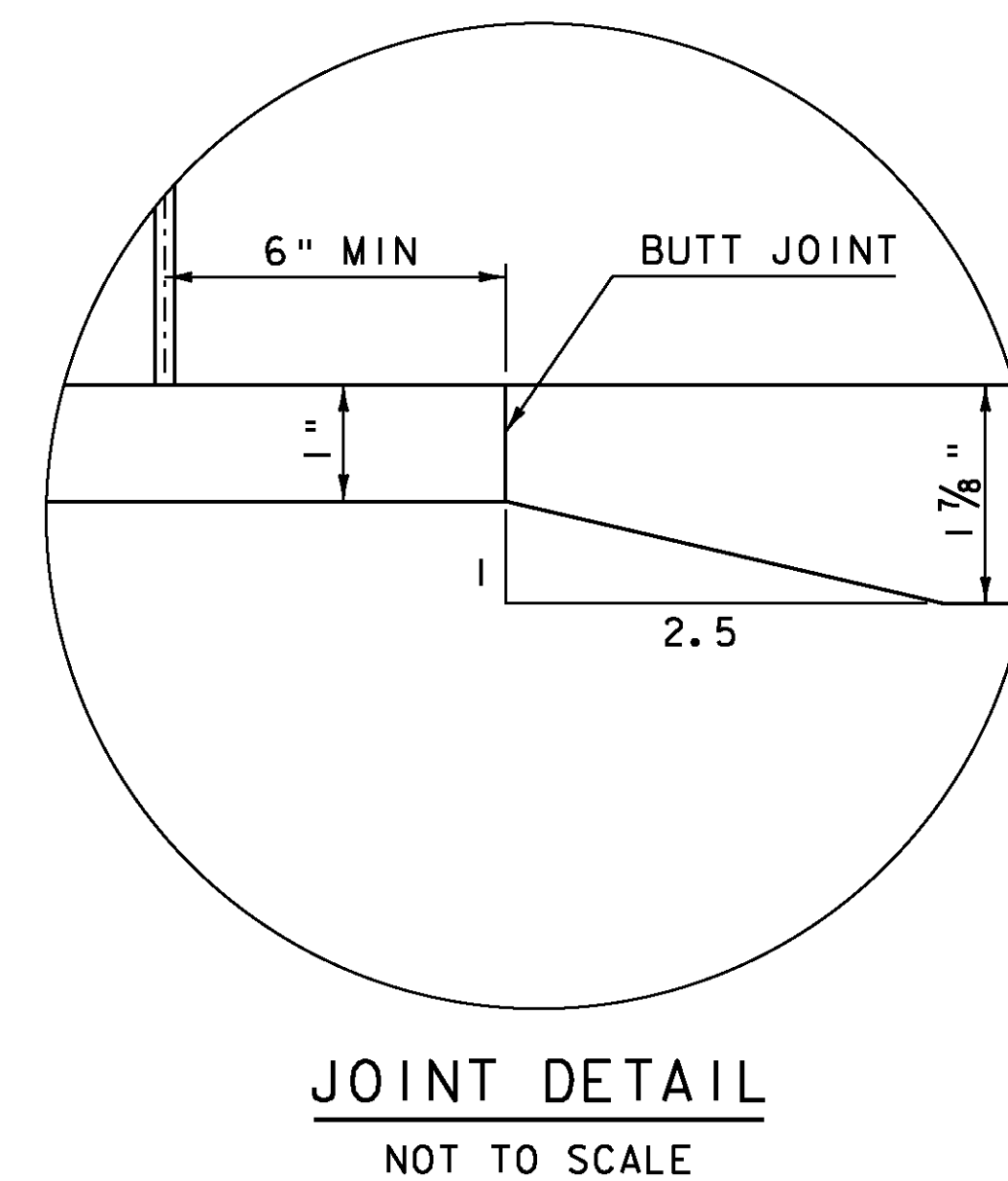
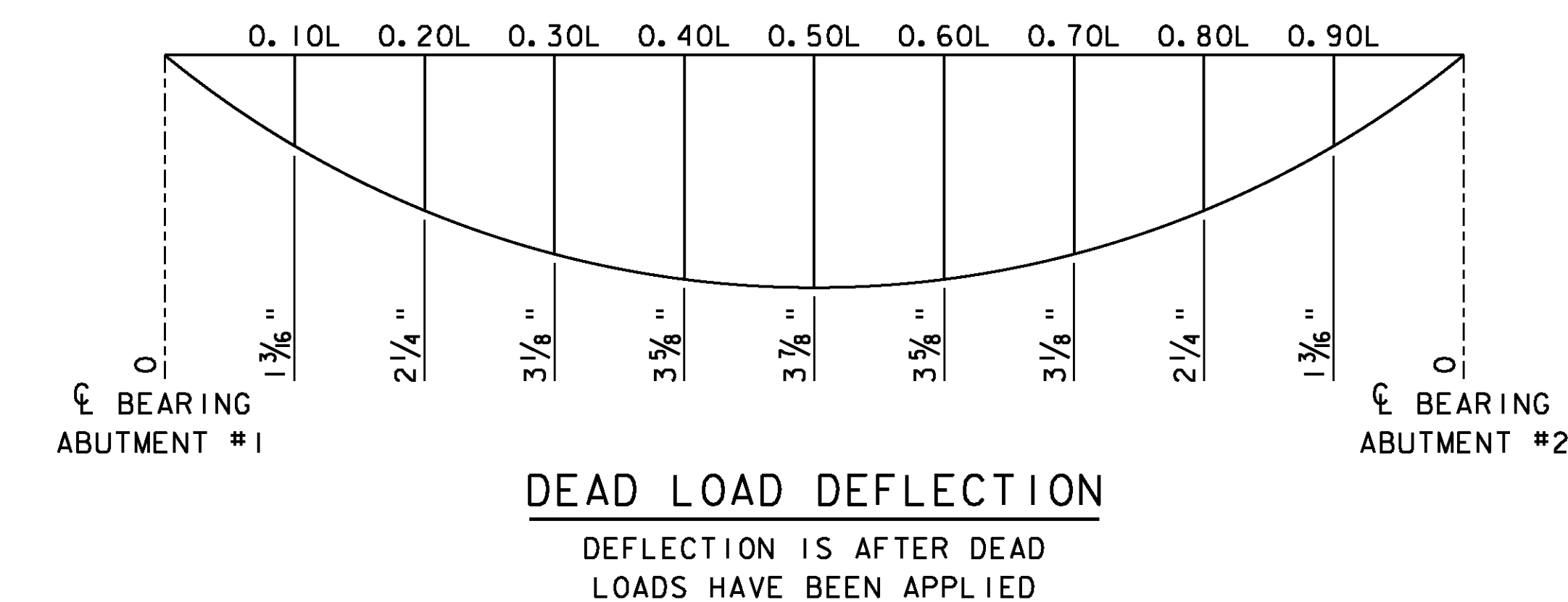
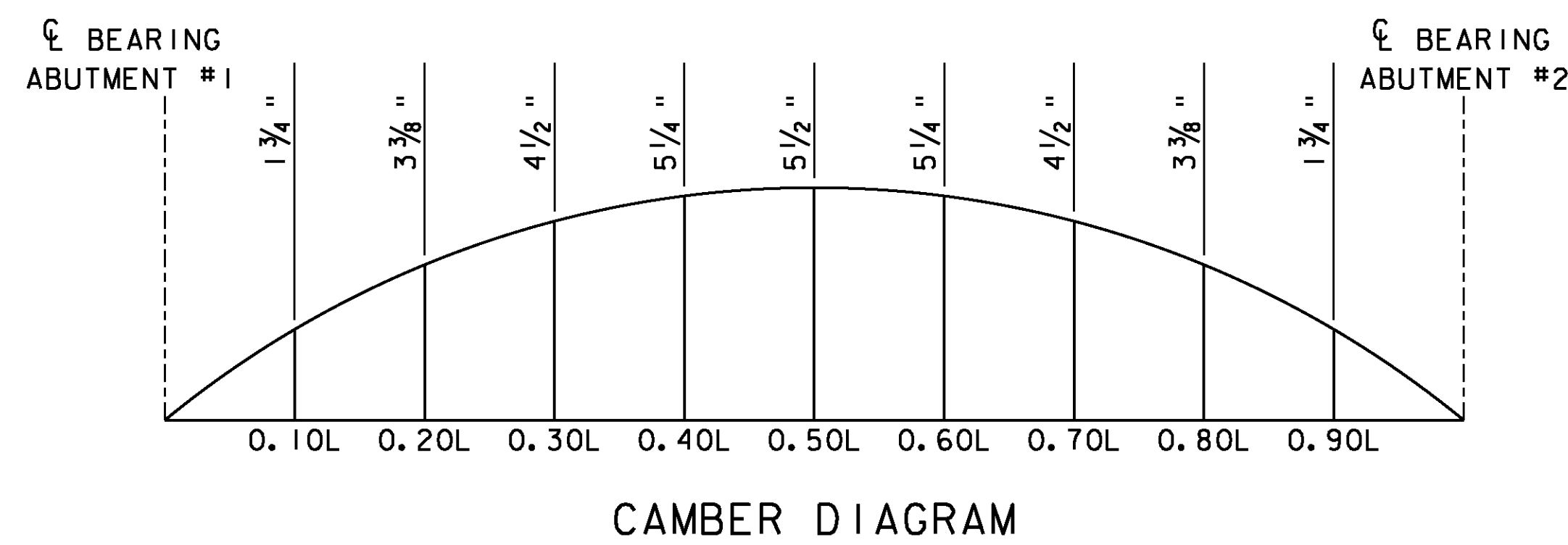


GIRDER ELEVATION
VERTICAL SCALE: 3/4" = 1'-0"
HORIZONTAL SCALE: 1/4" = 1'-0"



- NOTES**
- * (CVN) REQUIRES CHARPY V-NOTCH TESTING. SEE NOTE 11 ON GENERAL NOTES SHEET.

PROJECT: CHESTER	PROJECT NO.: BRF 016-1 (25)
DESIGN FILE NAME: 88b194\Structures\s88b194sup.dgn	PLOT DATE: 16-MAR-2011
IPARM FILE NAME: s88b194girder.i	DRAWN BY: D.D.BEARD
DESIGNED BY: E.L.RUSTAY	CHECKED BY: R.S.YOUNG
SQUAD LEADER: C.P.WILLIAMS	SHEET: 25 OF 50
GIRDER ELEVATION & CAMBER	