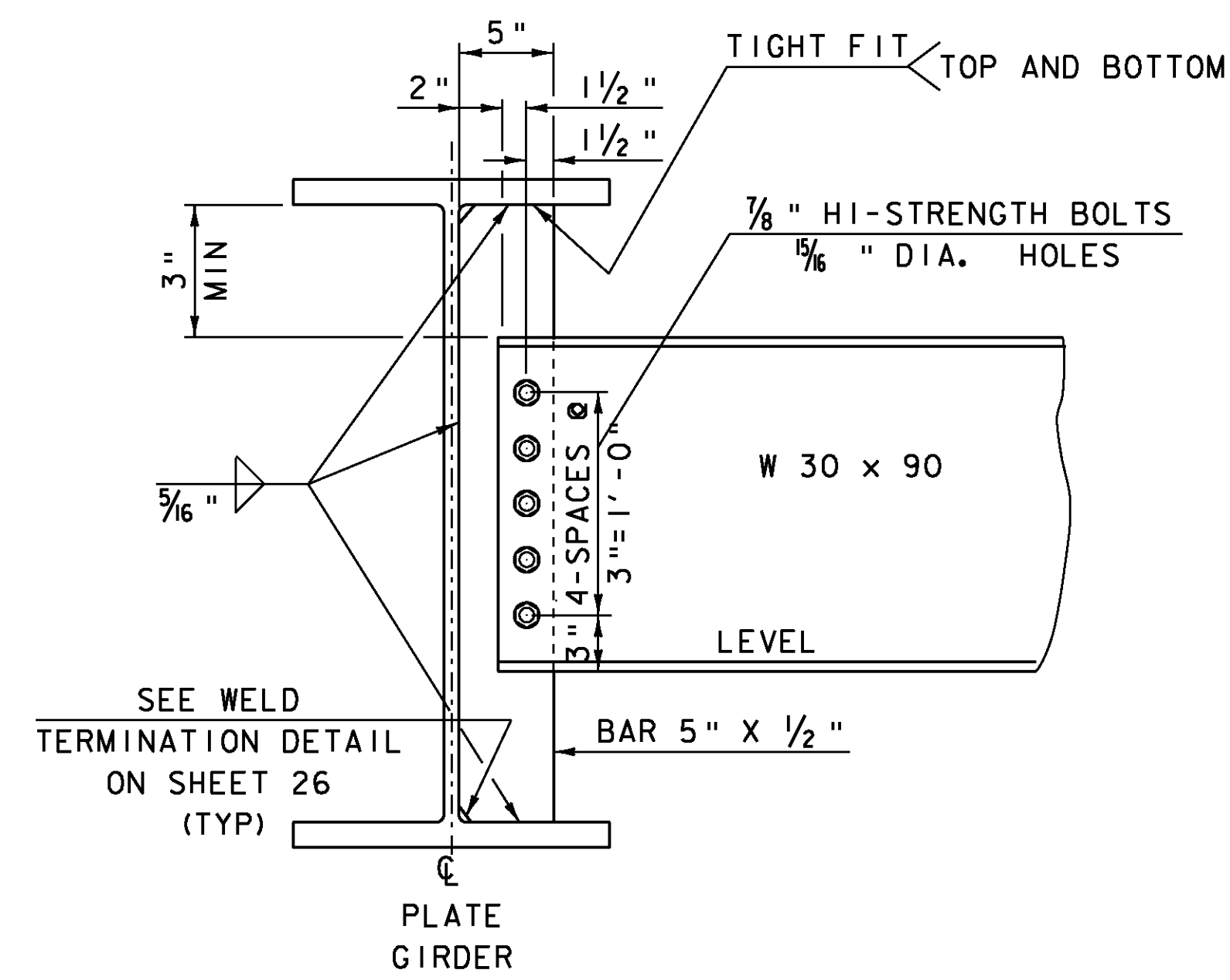
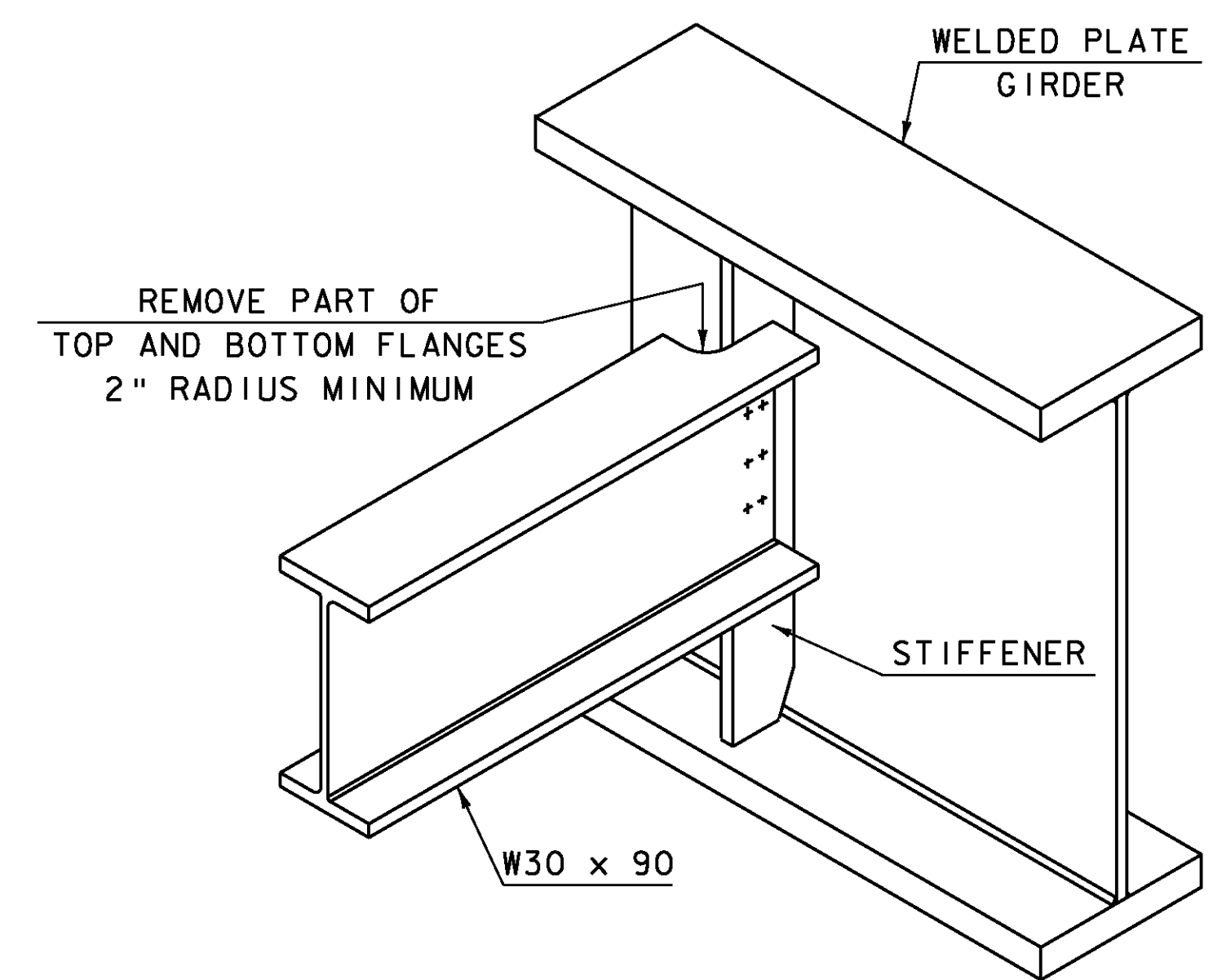


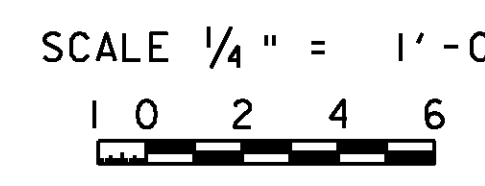
**FRAMING PLAN**  
SCALE 1/4" = 1'-0"



**INTERMEDIATE DIAPHRAGM DETAIL**  
NOT TO SCALE



**DIAPHRAGM CLIP DETAIL**  
NOT TO SCALE



PROJECT: <b>CHESTER</b>	PROJECT NO.: <b>BRF 016-1 (25)</b>
DESIGN FILE NAME: 88b194\Structures\88b194sup.dgn	PLOT DATE: 16-MAR-2011
IPARM FILE NAME: 88b194frame.i	DRAWN BY: D.D.BEARD
DESIGNED BY: E.L.RUSTAY	CHECKED BY: R.S.YOUNG
SQUAD LEADER: C.P.WILLIAMS	SHEET: 24 OF 50
FRAMING PLAN	