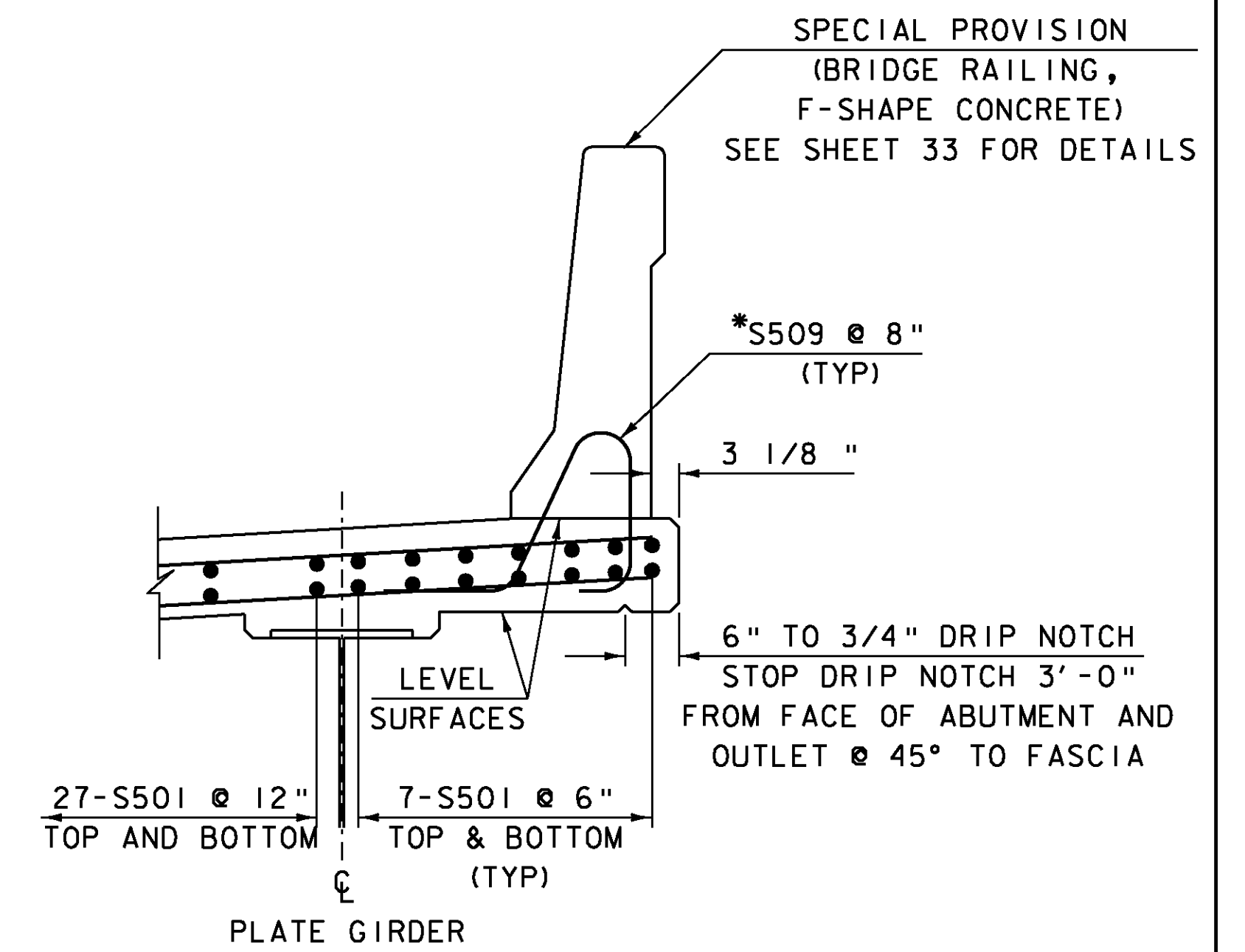


BRIDGE TYPICAL SECTION

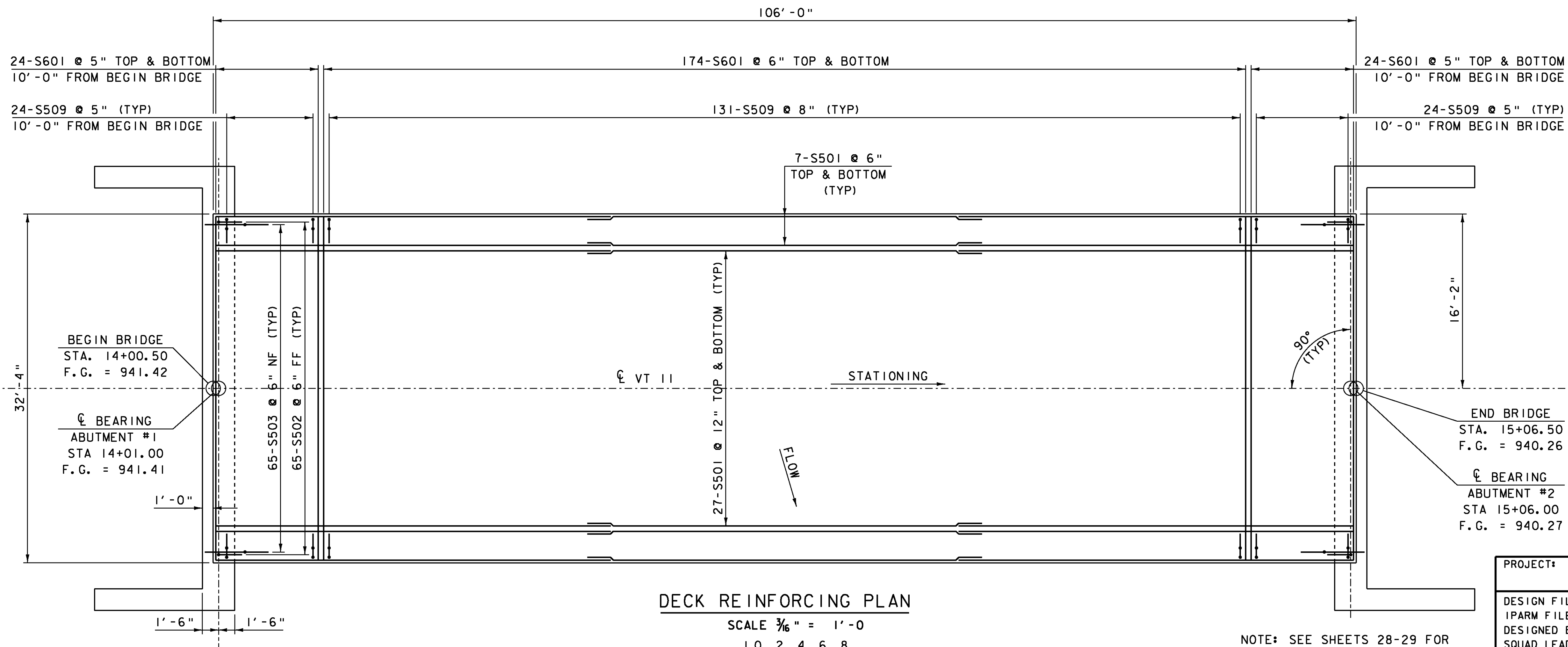
SCALE 3/8" = 1'-0"
 1 0 1 2 3 4

*REDUCED SPACING IN DECK PLAN.



EDGE DETAIL

SCALE 3/4" = 1'-0"
 1 0 1 2



DECK REINFORCING PLAN

SCALE 3/16" = 1'-0"
 1 0 2 4 6 8

NOTES:

- NF = NEAR FACE
- FF = FAR FACE
- EF = EACH FACE
- ▲ = CUT TO FIT IN FIELD
- 3" CLEAR UNLESS OTHERWISE SPECIFIED ON THE PLANS
- ALL LAPS 2'-2" UNLESS OTHERWISE NOTED.
- ALL REINFORCING STEEL SHALL BE EPOXY COATED.

NOTE: SEE SHEETS 28-29 FOR STEM STEEL REINFORCEMENT

PROJECT:	CHESTER	PROJECT NO.:	BRF 016-1 (25)
DESIGN FILE NAME:	88b194\Structures\s88b194sup.dgn	DRAWN BY:	H. I. SALLS
IPARM FILE NAME:	s88b194deck rein. i	CHECKED BY:	R. S. YOUNG
DESIGNED BY:	H. I. SALLS	DECK REINFORCING DETAILS	SHEET: 23 OF 50