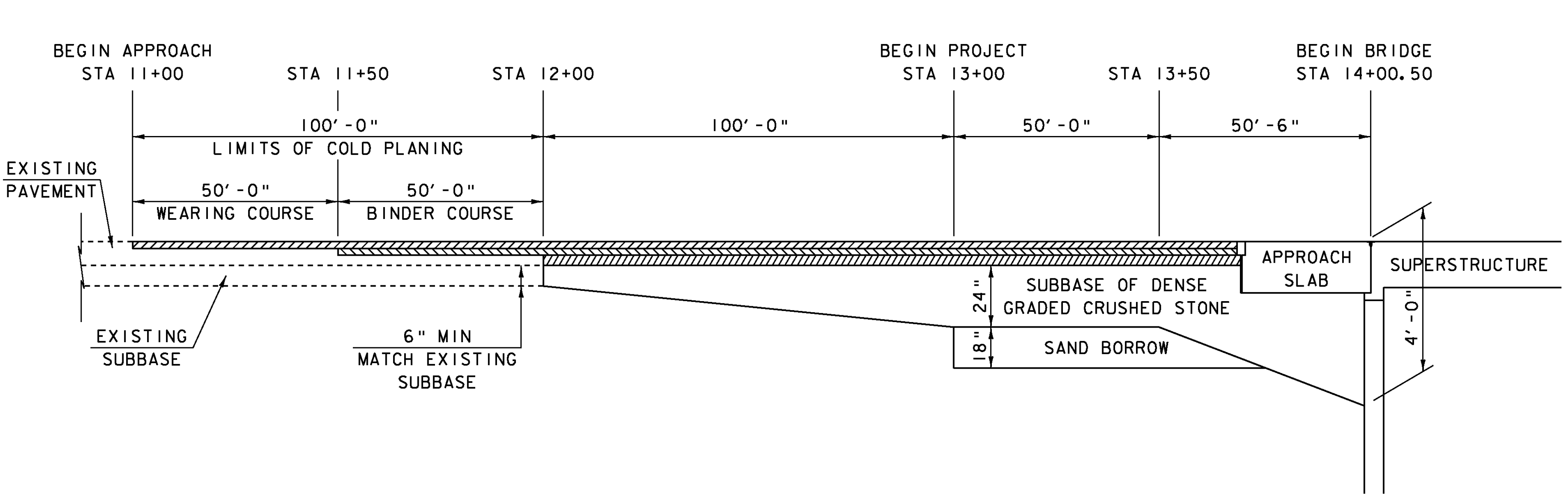
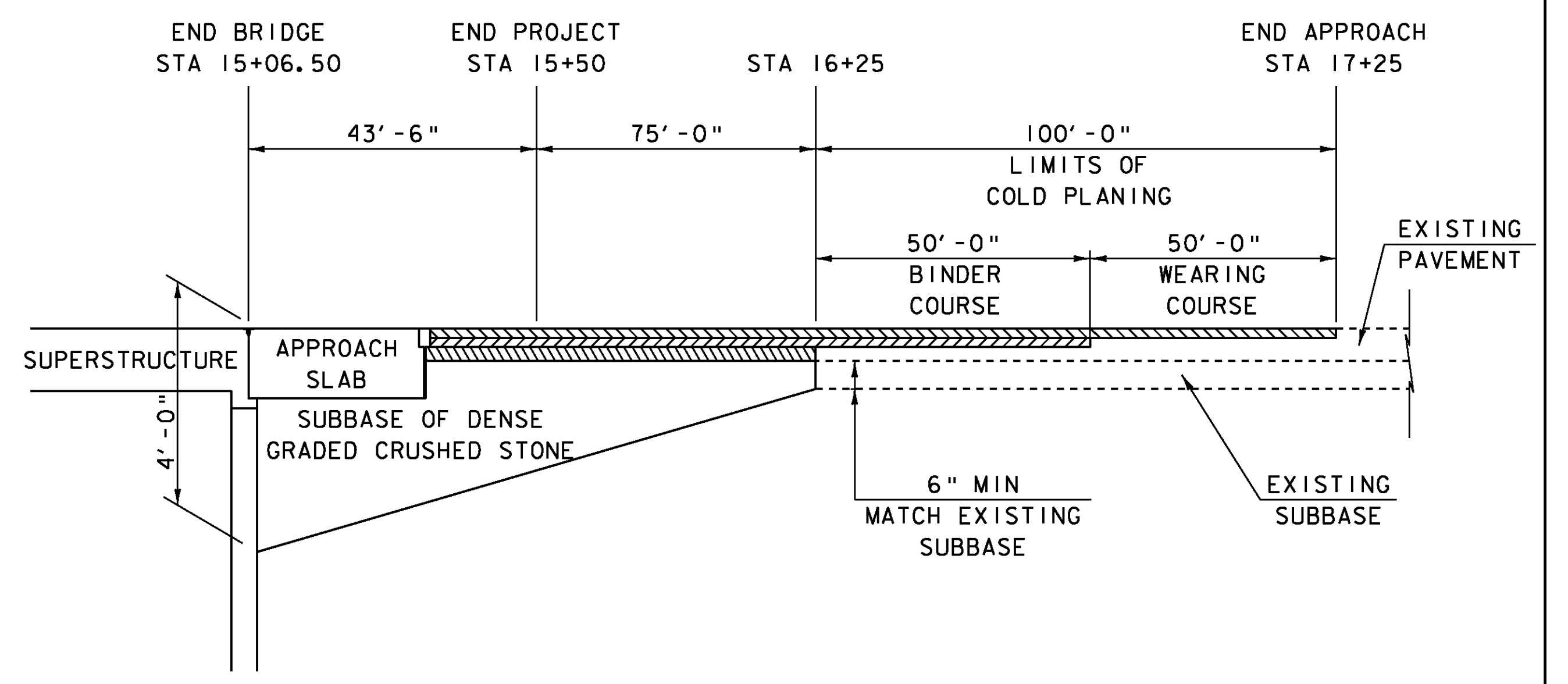


BANKING DIAGRAM
 HORIZONTAL SCALE: 1" = 20'-0"
 VERTICAL SCALE: 1" = .040'/'



BEGIN PROJECT MATERIAL TRANSITION
 NOT TO SCALE



END PROJECT MATERIAL TRANSITION
 NOT TO SCALE

SCALE 1" = 20'-0"
 20 0 20

PROJECT:	PROJECT NO.:
CHESTER	BRF 016-1 (25)
DESIGN FILE NAME: 88b194/structures/s88b194pro1.dgn	PLOT DATE: 16-MAR-2011
IPARM FILE NAME: s88b194bank.dgn	DRAWN BY: E.L. RUSTAY
DESIGNED BY: E.L. RUSTAY	CHECKED BY: R.S. YOUNG
SQUAD LEADER: C.P. WILLIAMS	SHEET: 10 OF 50
BANKING DIAGRAM & TRANSITIONS	