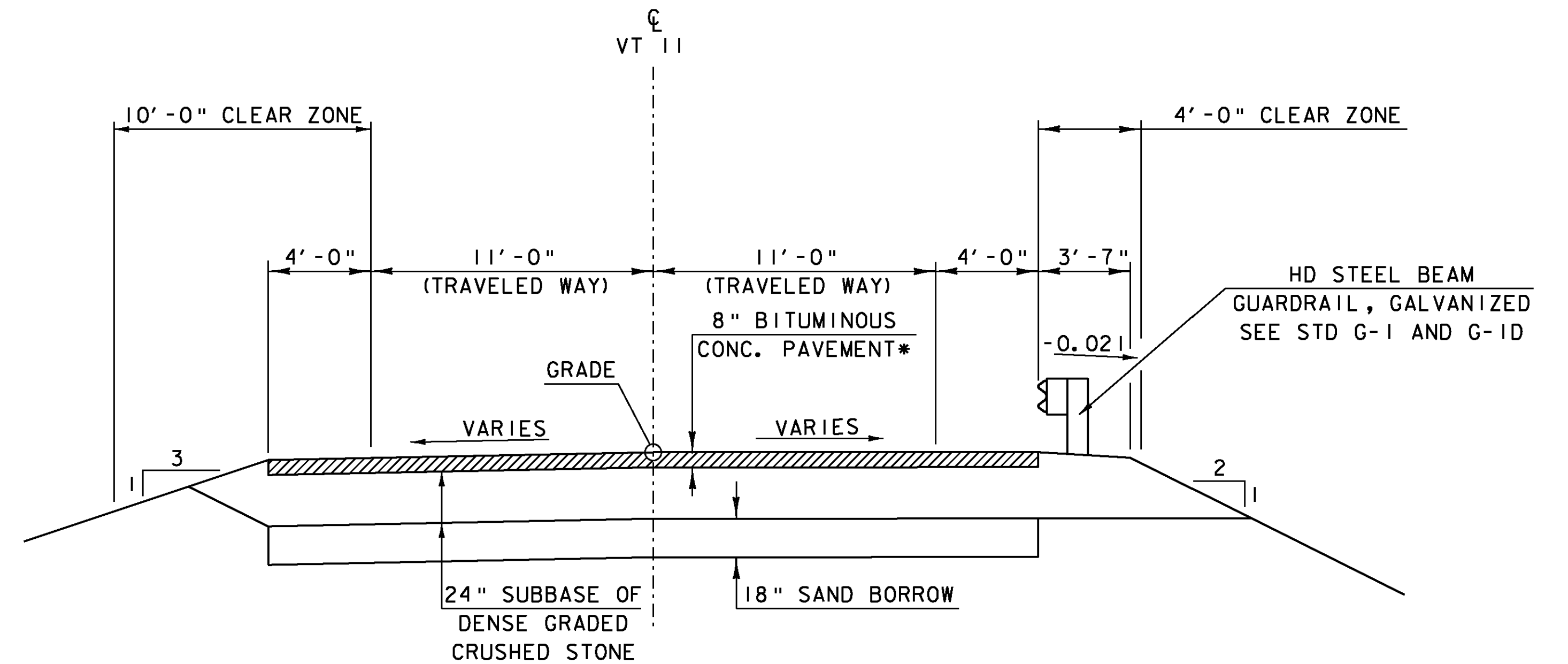


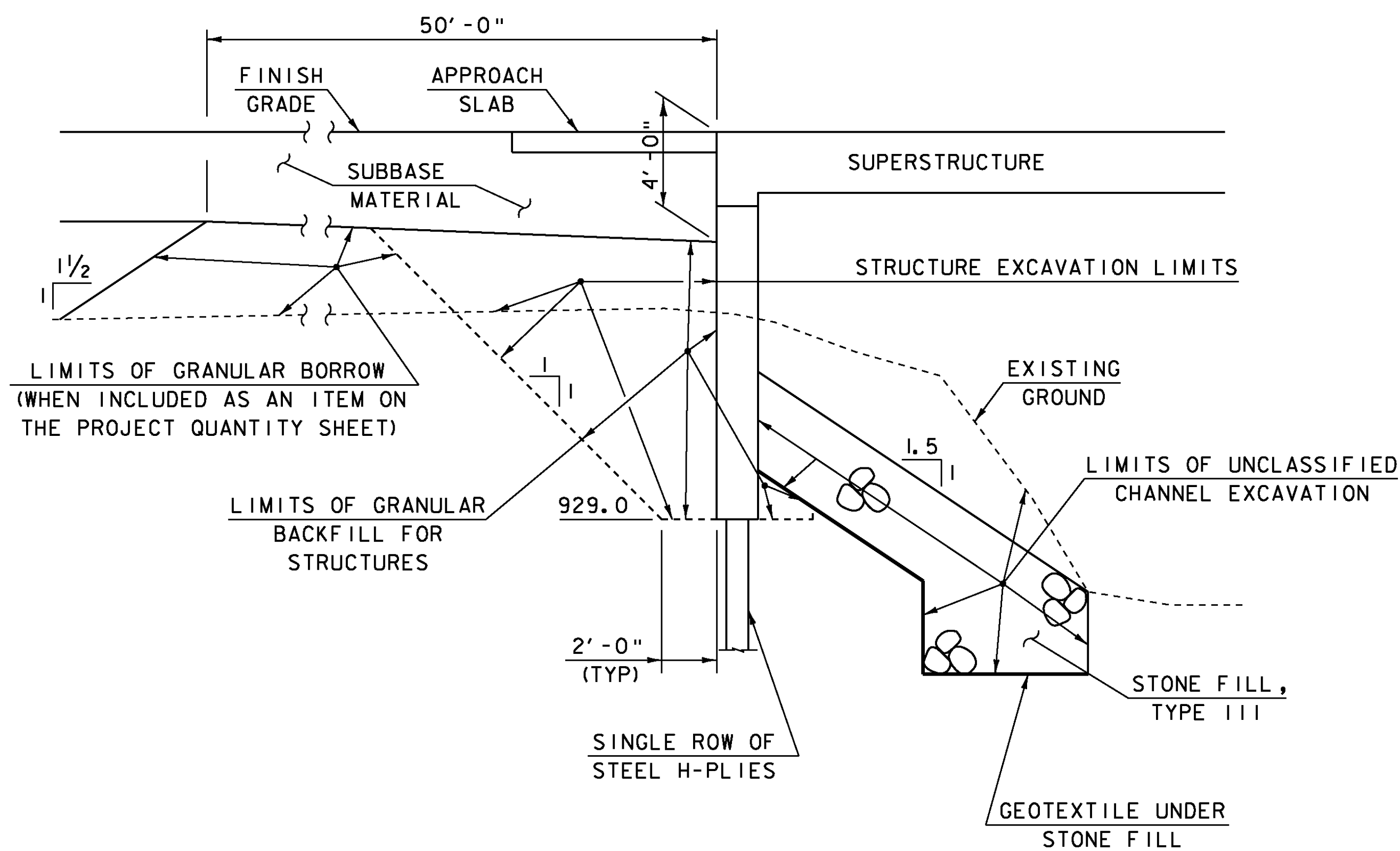
BRIDGE TYPICAL SECTION

SCALE 1/4" = 1'-0"



VT RTE. 11 TYPICAL SECTION

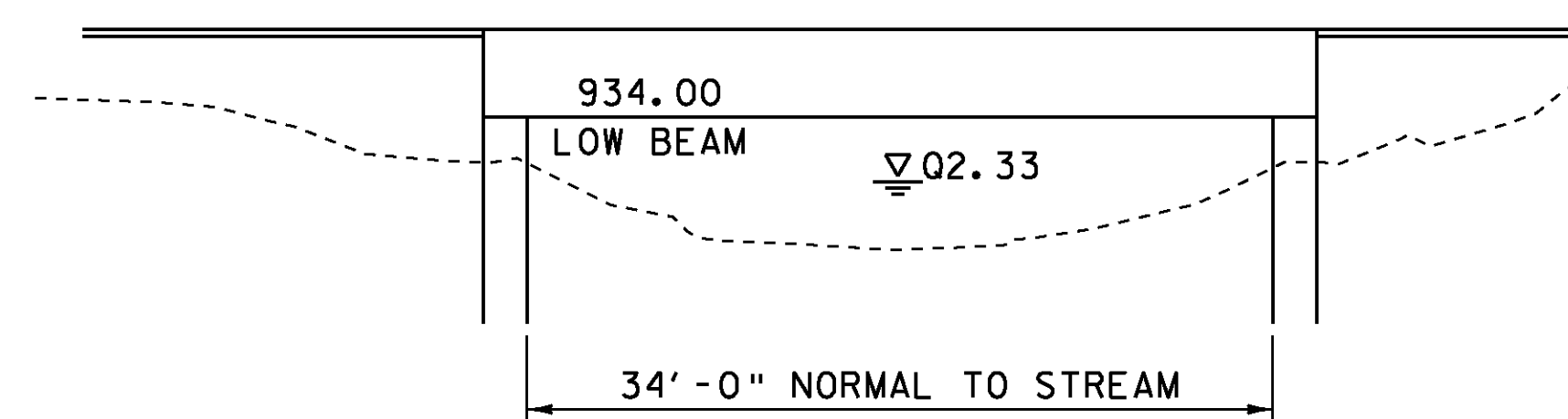
SCALE 1/4" = 1'-0"



TYPICAL INTEGRAL ABUTMENT SECTION

NOT TO SCALE

1. ACTUAL EXCAVATION SHALL BE DETERMINED BY THE CONTRACTOR. HOWEVER, ONLY THE EXCAVATION BETWEEN THE LIMITS SHOWN WILL BE PAID FOR UNDER THE ITEM 204.25 "STRUCTURE EXCAVATION".



TEMPORARY DETOUR SKETCH

NOT TO SCALE

MATERIAL ITEM	TOLERANCE
PAVEMENT	± 1/4" TOTAL THICKNESS
AGGREGATE SURFACE COURSE	± 1/2"
BASE COURSE	± 1/2"
SUBBASE	± 1"
SAND BORROW	± 1"

PROJECT: CHESTER	PROJECT NO.: BRF 016-1 (25)
DESIGN FILE NAME: 88b194\Structures\s88b194.typ.dgn	PLOT DATE: 16-MAR-2011
IPARM FILE NAME: s88b194.typ.i	DRAWN BY: D.D.BEARD
DESIGNED BY: E.L.RUSTAY	CHECKED BY: R.S.YOUNG
SQUAD LEADER: C.P.WILLIAMS	TYPICAL SECTIONS
	SHEET: 5 OF 50