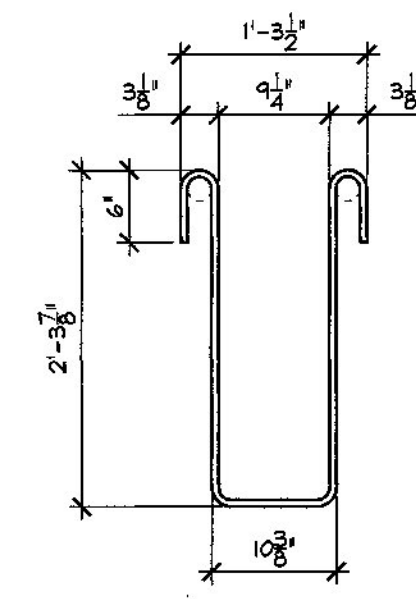
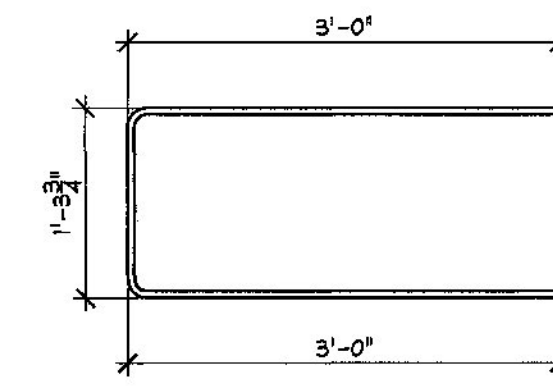


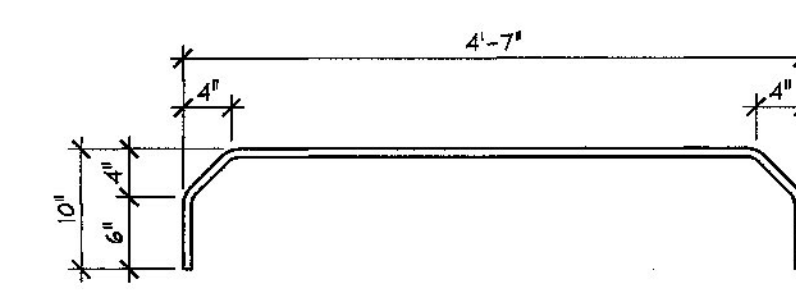
MISCELLANEOUS MATERIALS				
ITEM	MARK	QTY.	DESCRIPTION	REMARKS
1				
2	40		#4 x 55'-10" (LEVEL II, DUAL COATED)	
3				
4	262		#5 x 9'-0" (LEVEL II, DUAL COATED)	
5				
6	56		#7 x 1'-4" (LEVEL II, DUAL COATED)	
7				
8				
9				
10	MK-J1	28	MODIFIED DAYTON SUPERIOR C-24 45° TYPE 4-APR HANGER (GALV.)	SEE DETAIL THIS SHEET
11	MK-J2		GUARD RAIL ANCHOR E-3/8" x 10" x 1 1/2" (4) 1/2" HEX NUTS (GALV.)	SUPPLIED BY OTHERS
12				
13				
14		16	SET OF (3) 0.60" x 270 KSI STRAND LIFTING LOOPS	
15				



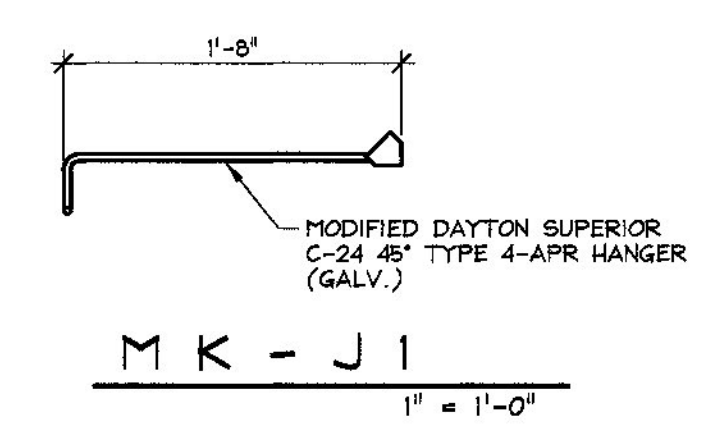
J-401D
#4 BENT BAR
LEVEL II, DUAL COATED
USE 2" (50 mm) PIN
(712) REQ'D.



J-402D
#4 BENT BAR
LEVEL II, DUAL COATED
USE 2" (50 mm) PIN
(64) REQ'D.



J-501D
#5 BENT BAR
LEVEL II, DUAL COATED
USE 2 3/8" (70 mm) PIN
(160) REQ'D.



Vermont Agency of Transportation

RECEIVED

Next Beam Fabrication Resubmit Approved 11.21.14.pdf

CK'D BY CLB OK'D BY HIS

November 20, 2014

RESUBMIT NO Approved
BY C. CARLSON DATE 11/21/14

△ 11-19-14 REVISED AS NOTED
△ 11-5-14 REVISED AS NOTED

APPROVAL STAMP:	J.P. CARRARA & SONS INC. Precast & Prestress Manufacturer <small>246 GSE STR., MIDDLEBURY, VERMONT 05753 Phone: (802)388-9361 Fax: (802)388-9010</small>		A.L. St. ONGE CONTRACTOR MONTMERY, VERMONT	
	STATE OF VERMONT AGENCY OF TRANSPORTATION COUNTY OF LAMOILLE		DATE: SEPT. 30, 2014	
	CITY OF JOHNSON ROUTE NO.: VT 15 (MINOR ARTERIAL) BRIDGE NO.: 32 PROJECT NO.: BRP 030-2(26)		SCALE: NOTED	
	MATERIALS LIST		CHKD: - DFTM: B.L. JOB NO: 23442-014 DWG. NO: M1	