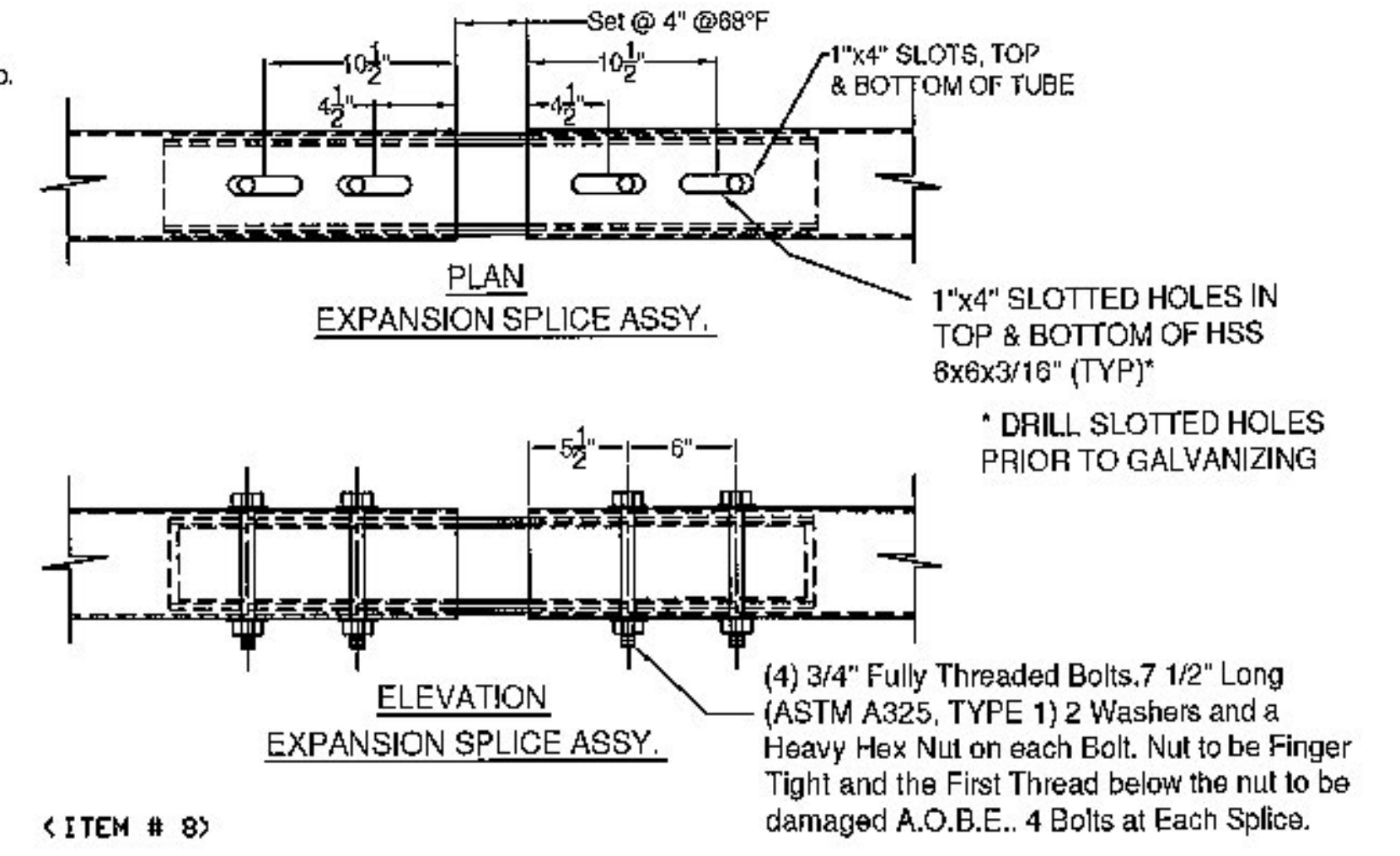
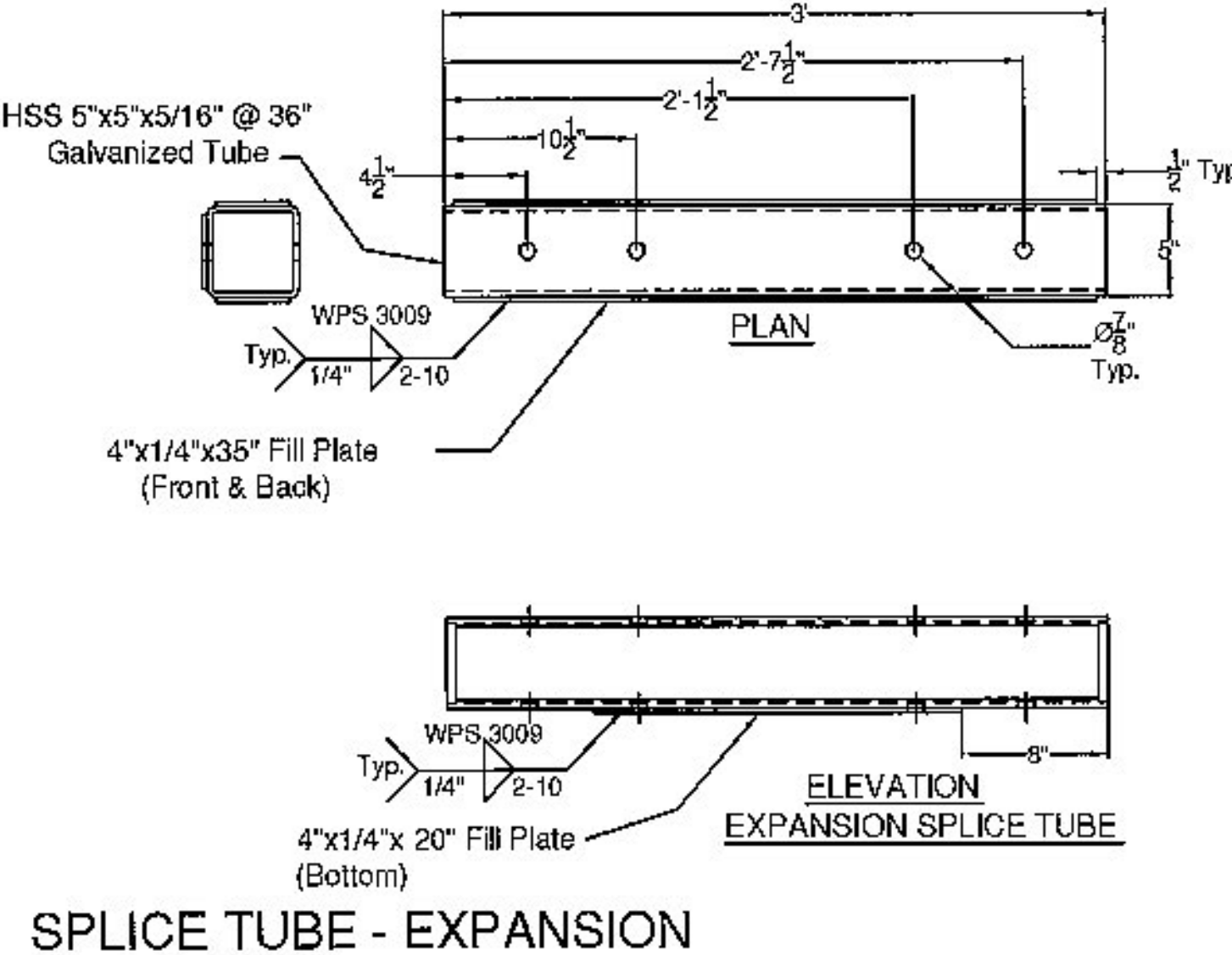
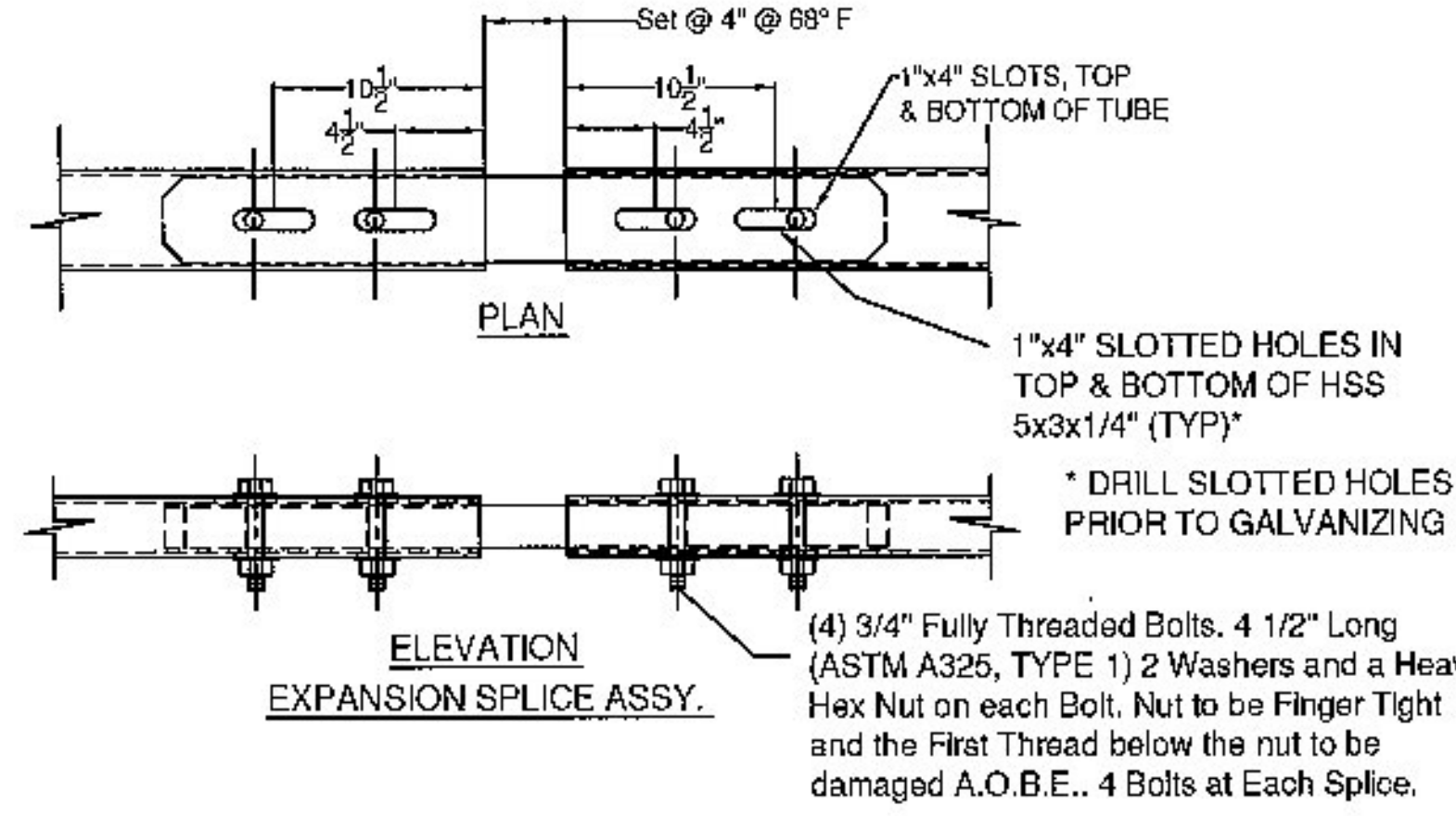
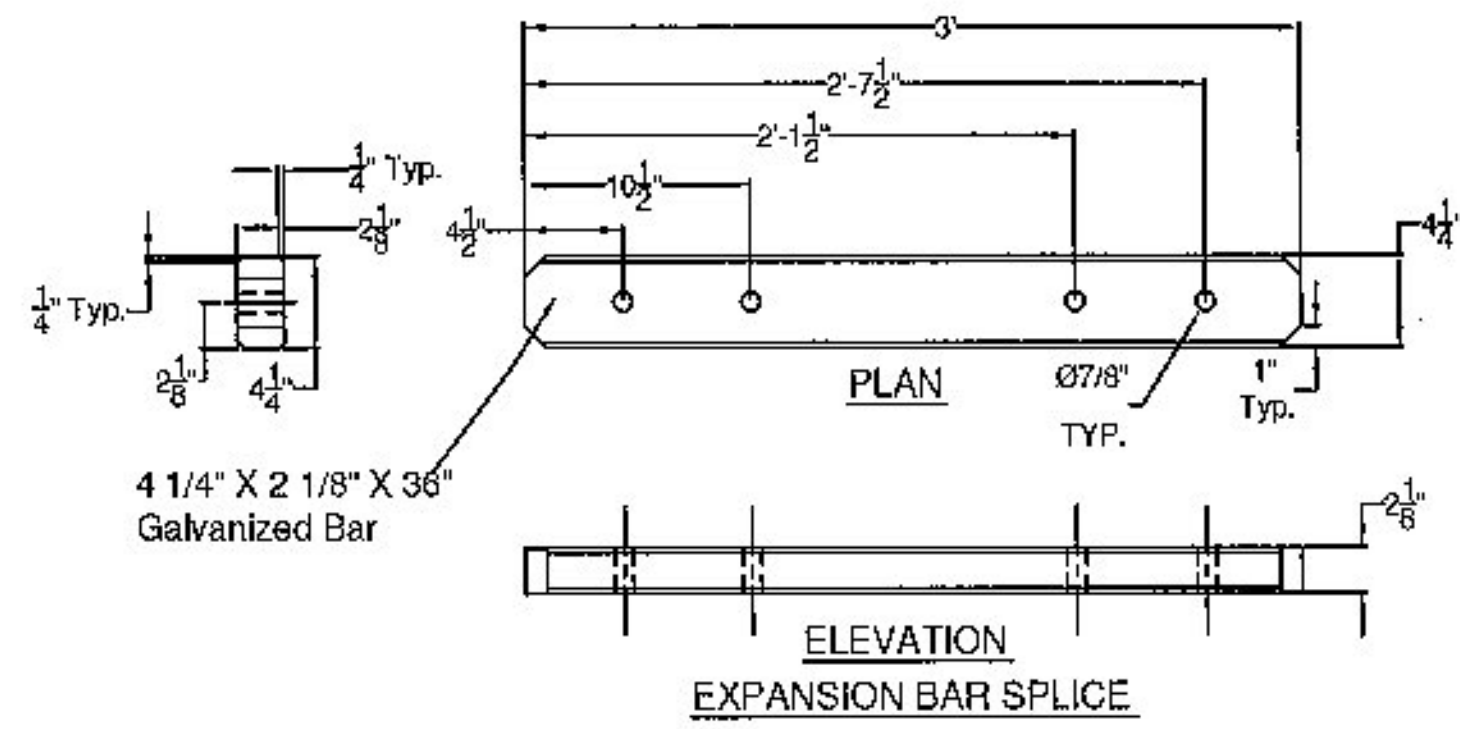
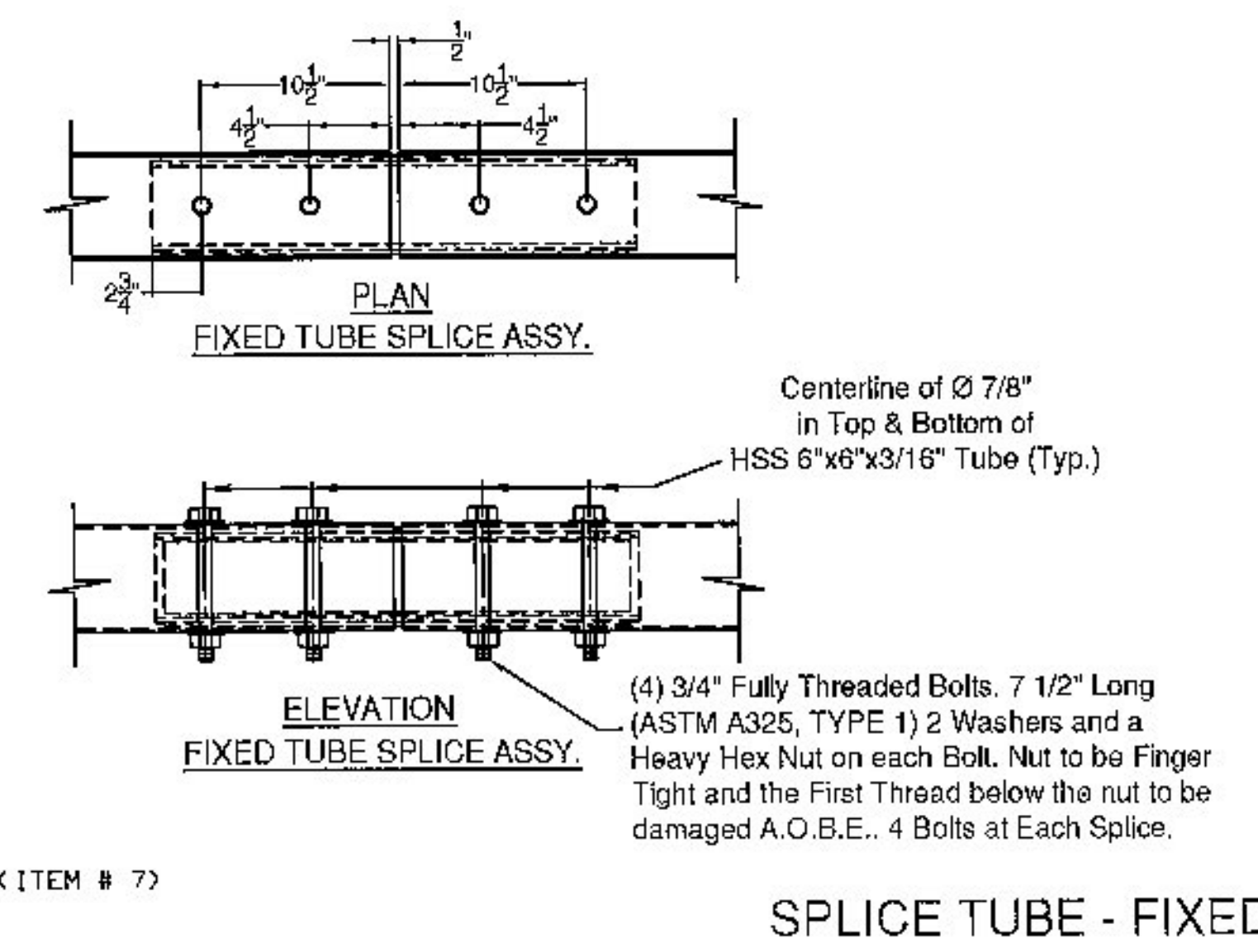
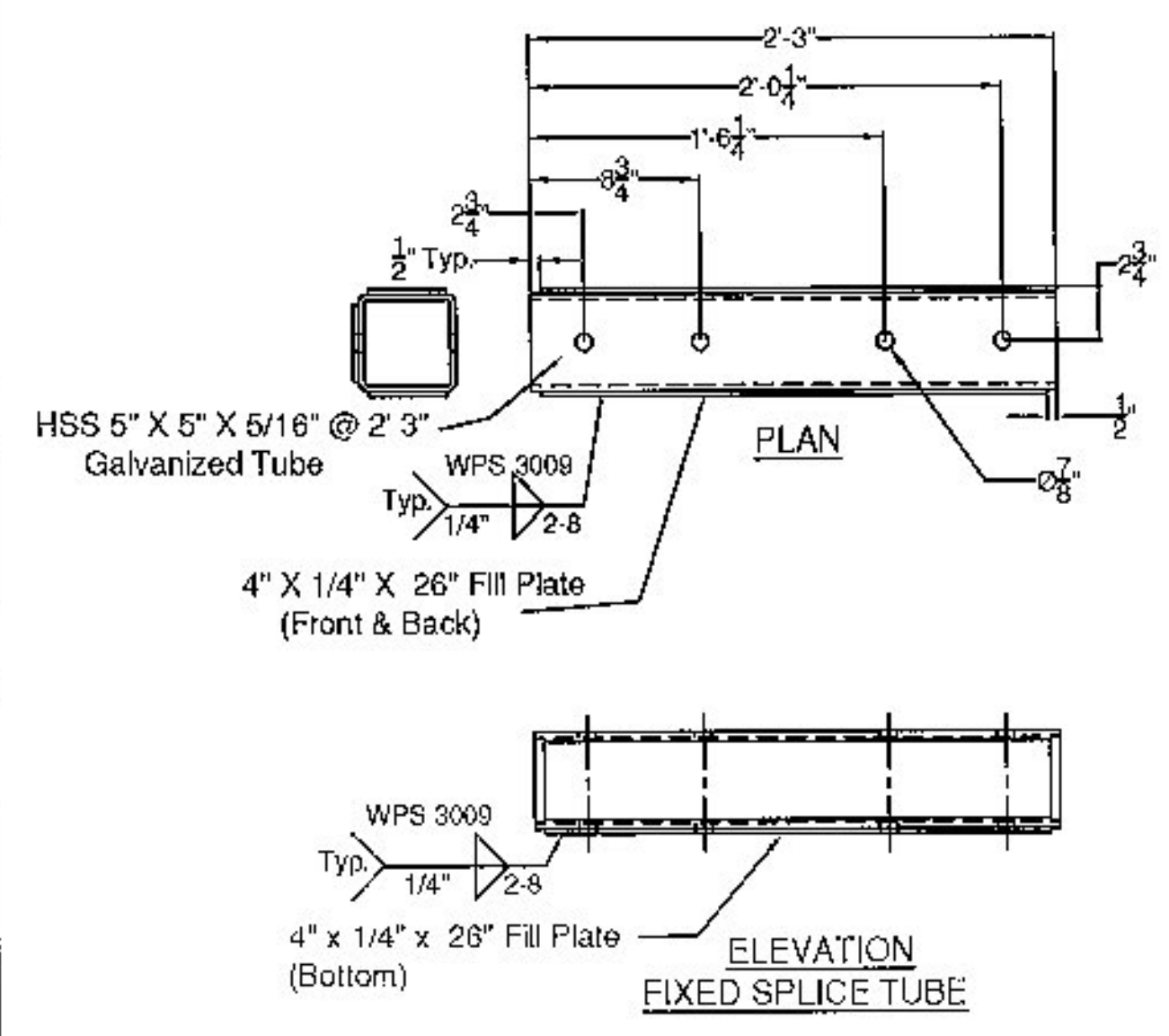


SPLICE BAR - EXPANSION



< ITEM # 9 >

< ITEM # 8 >



< ITEM # 7 >

SPLICE TUBE - FIXED

Vermont Agency of Transportation
RECEIVED
 CK'D BY CLB OK'D BY HIS
January 19, 2015
 RESUBMIT NO Approved
 BY C. CARLSON DATE 01/20/15

ITEM #: 621.725

SHEET 5 OF 6

STRUCTURAL STEEL TO COMPLY W/ ASTM A6
 TOLERANCE UNLESS OTHERWISE NOTED:
 FRACTIONS = ± 1/16"
 ANGLES = ± 1/2"
 DIAMETERS = ± 1/32"

GRAS, GLV 3 RAIL BOX BEAM
 JOHNSON BRIDGE 030-2(26), VT ROUTE 15 (MINOR ARTERIAL) BRIDGE # 32
 TOWN OF JOHNSON, COUNTY OF LAMOILLE, VT.

R NO.	DATE	DESCRIPTION	BY	R NO.	DATE	DESCRIPTION	BY
E 1	1/15/15	UPDATED PER 1/8/15 MARK-UP	EP				

ELDERLEE, INC.
 OAKS CORNERS, NEW YORK 14518
 E-Mail: diong@elderlee.com / epcek@elderlee.com
 Tel: 315-789-6670, Fax: 315-789-6615

DRAWN	E.P.	12/23/14
CHECKED	D.L.	12/23/14
APPROVED		
SCALE	SCHEMATIC	
DRAWING NO. F.R. LAFAYETTE-JOHNSON		