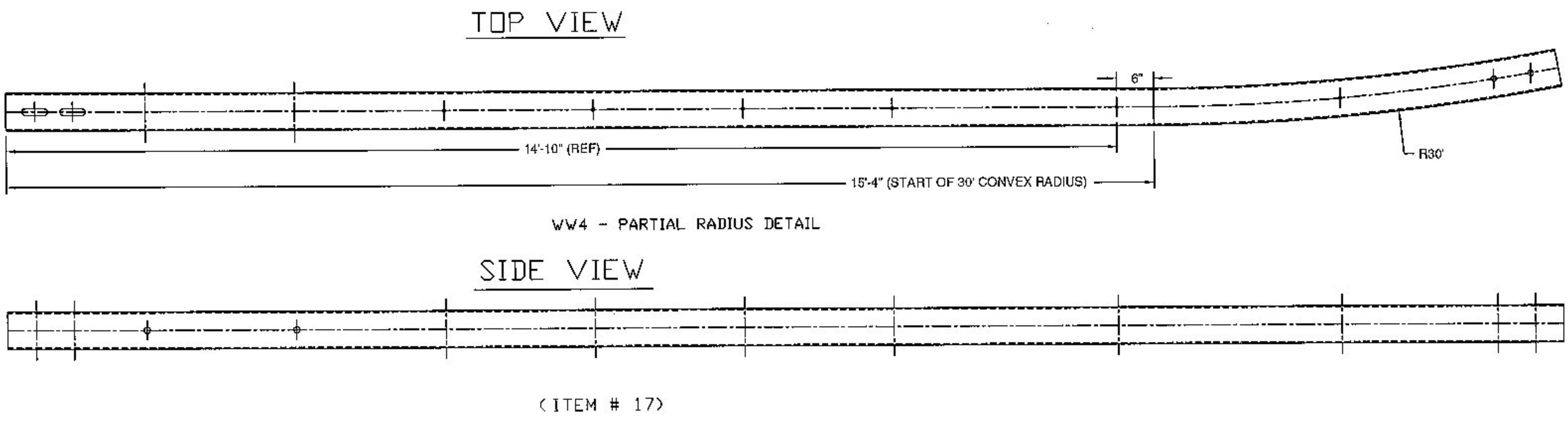
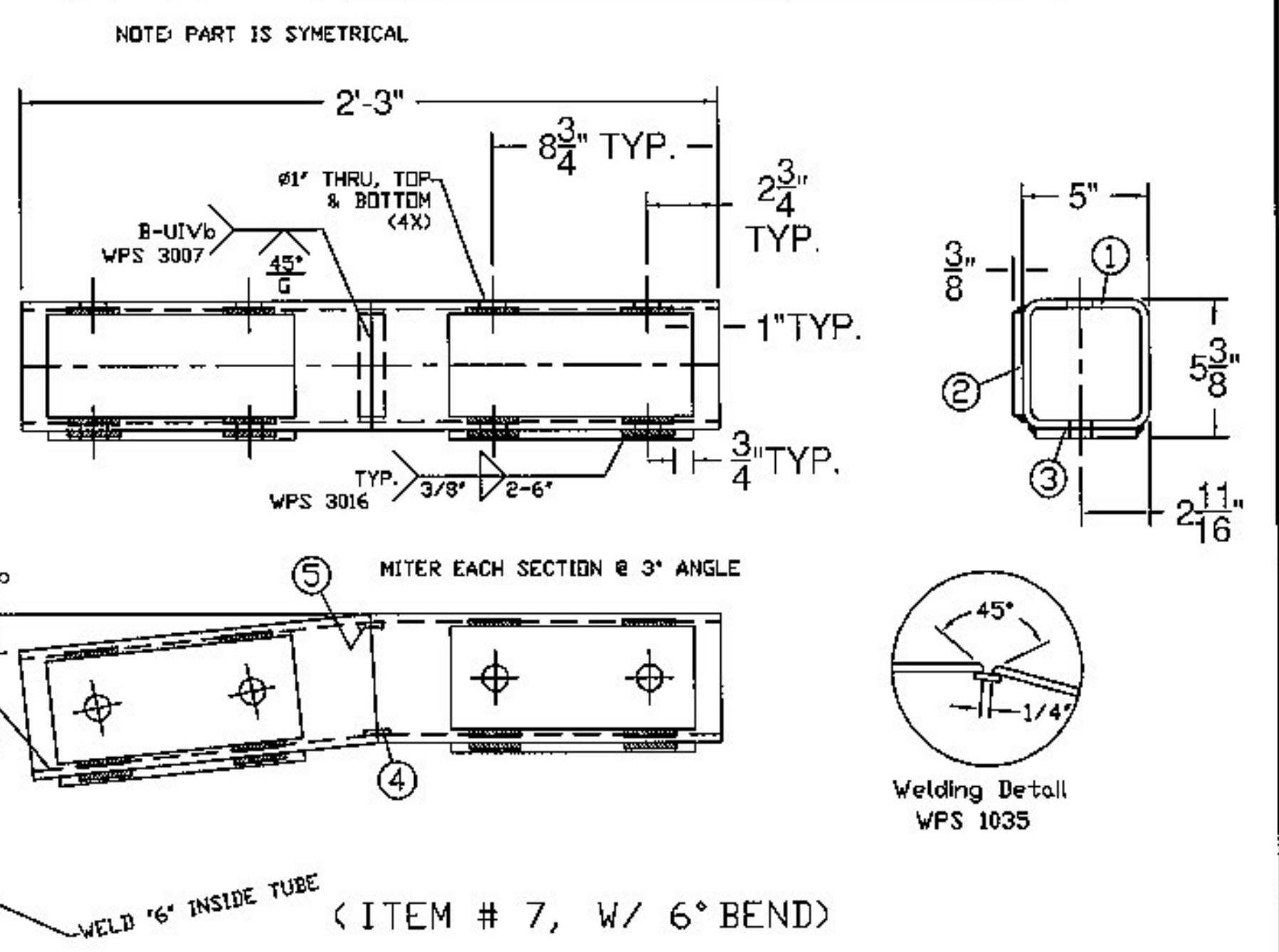


BILL OF MATERIALS				
ITEM #	PART #	QTY	DESCRIPTION	
1	0053.74005	1	IN-PR 5x5x5/16" TUBE @ 27'	
2	0053.74001	2	IN-PR SHIM PL 3/8x4x9 1/2'	
3	0053.74004	2	IN-PR SHIM PL 3/8x4x9 1/2" W/ HOLES	
4	0031.00002	3	IN-PR BACKER, 3/16"x1"x4'	
5	0053.74002	1	IN-PR FORMED BACKER PLATE	



ITEM #: 621.725
 STRUCTURAL STEEL TO COMPLY W/ ASTM A6
 TOLERANCE UNLESS OTHERWISE NOTED:
 FRACTIONS = ± 1/16"
 ANGLES = ± 1/2"
 DIAMETERS = ± 1/32"

Vermont Agency of Transportation
RECEIVED

REVIEWED BY: **OK'D BY CLB** **OK'D BY HIS**
January 19, 2015
RESUBMIT NO **Approved**
 BY C. CARLSON DATE 01/20/15