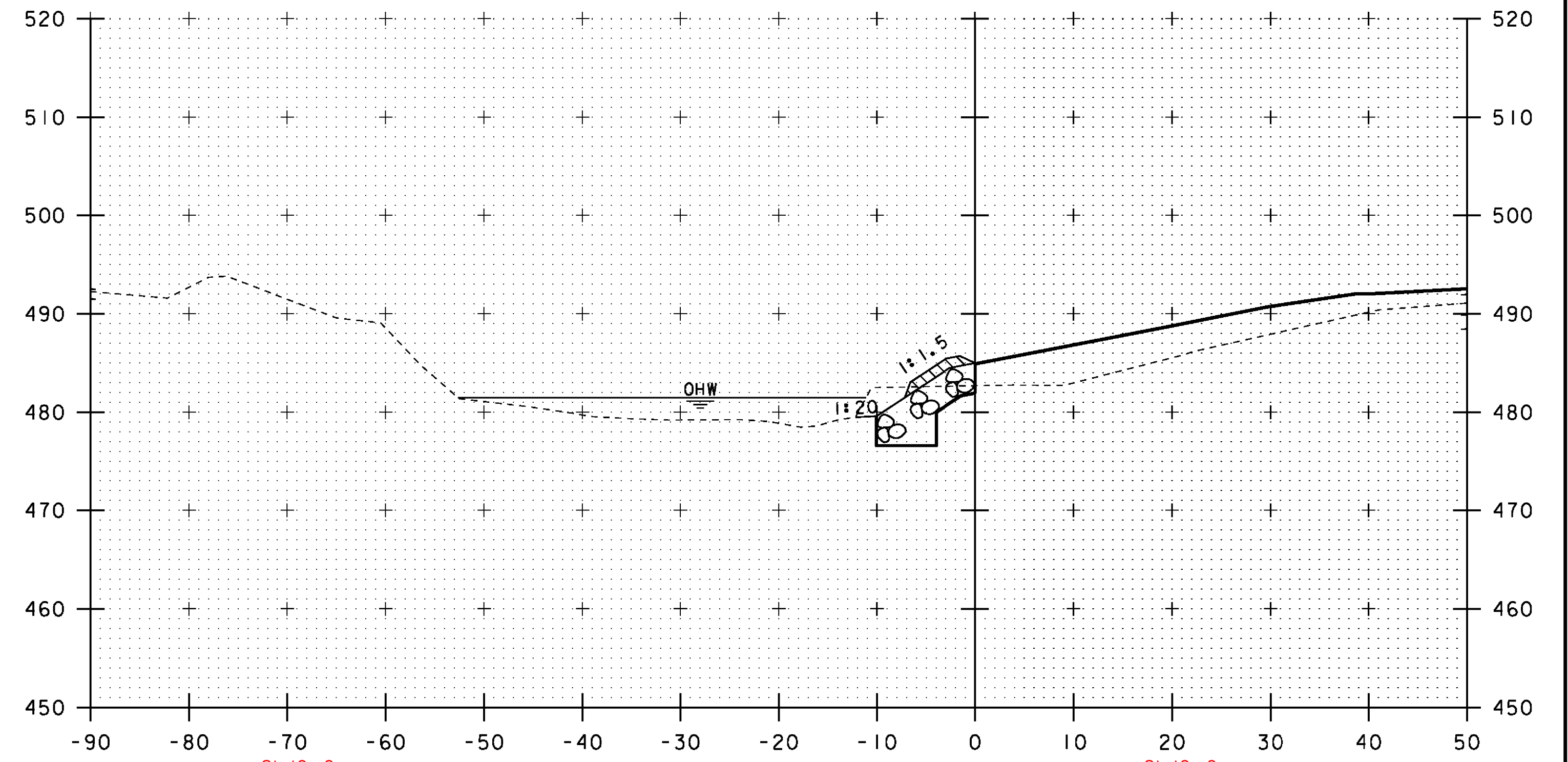


CHANNEL STA 20+83.0 FAR LT
 END STRUCTURE EXCAVATION
 GRANULAR BACKFILL FOR STRUCTURES

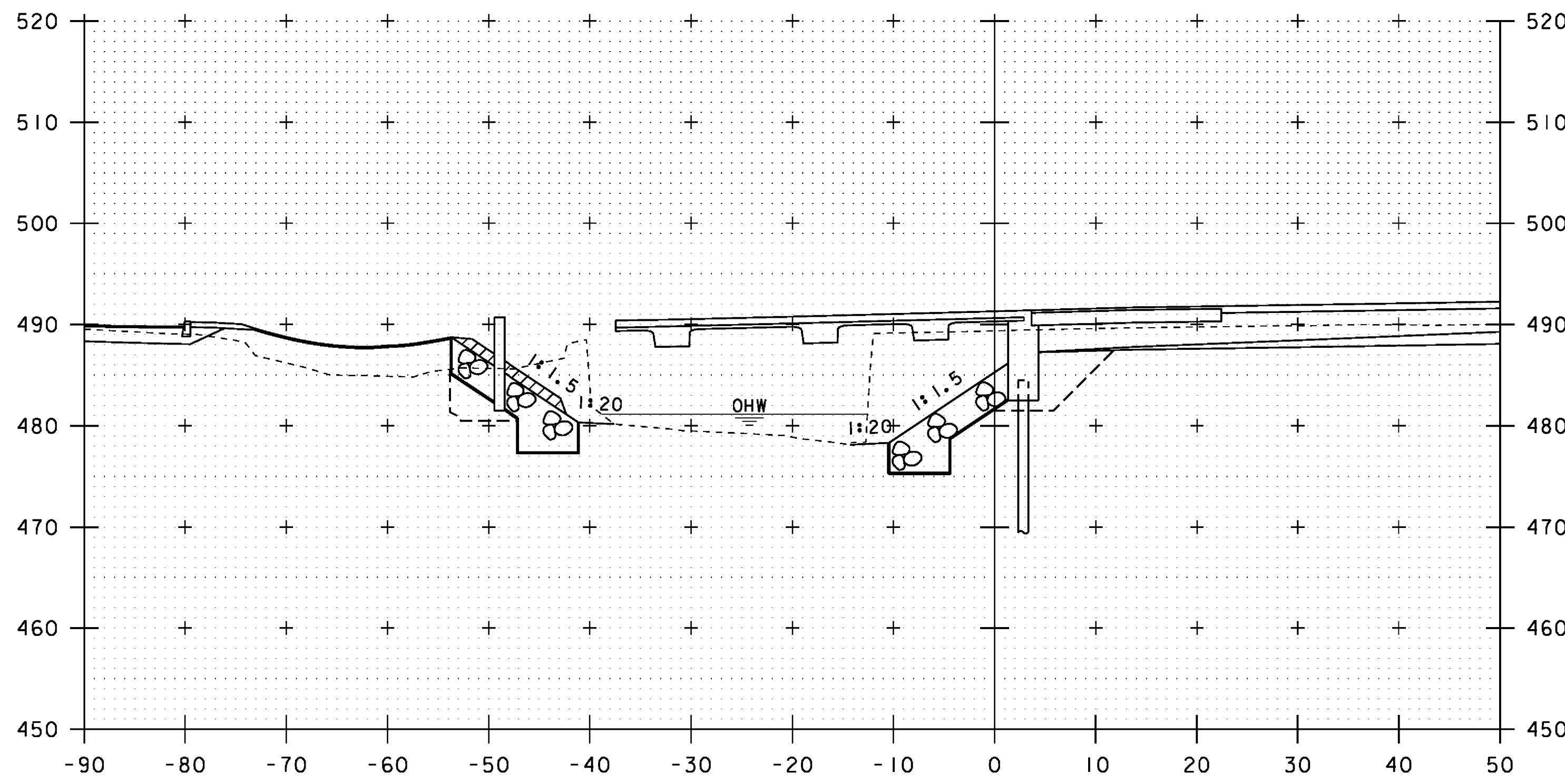
20+90



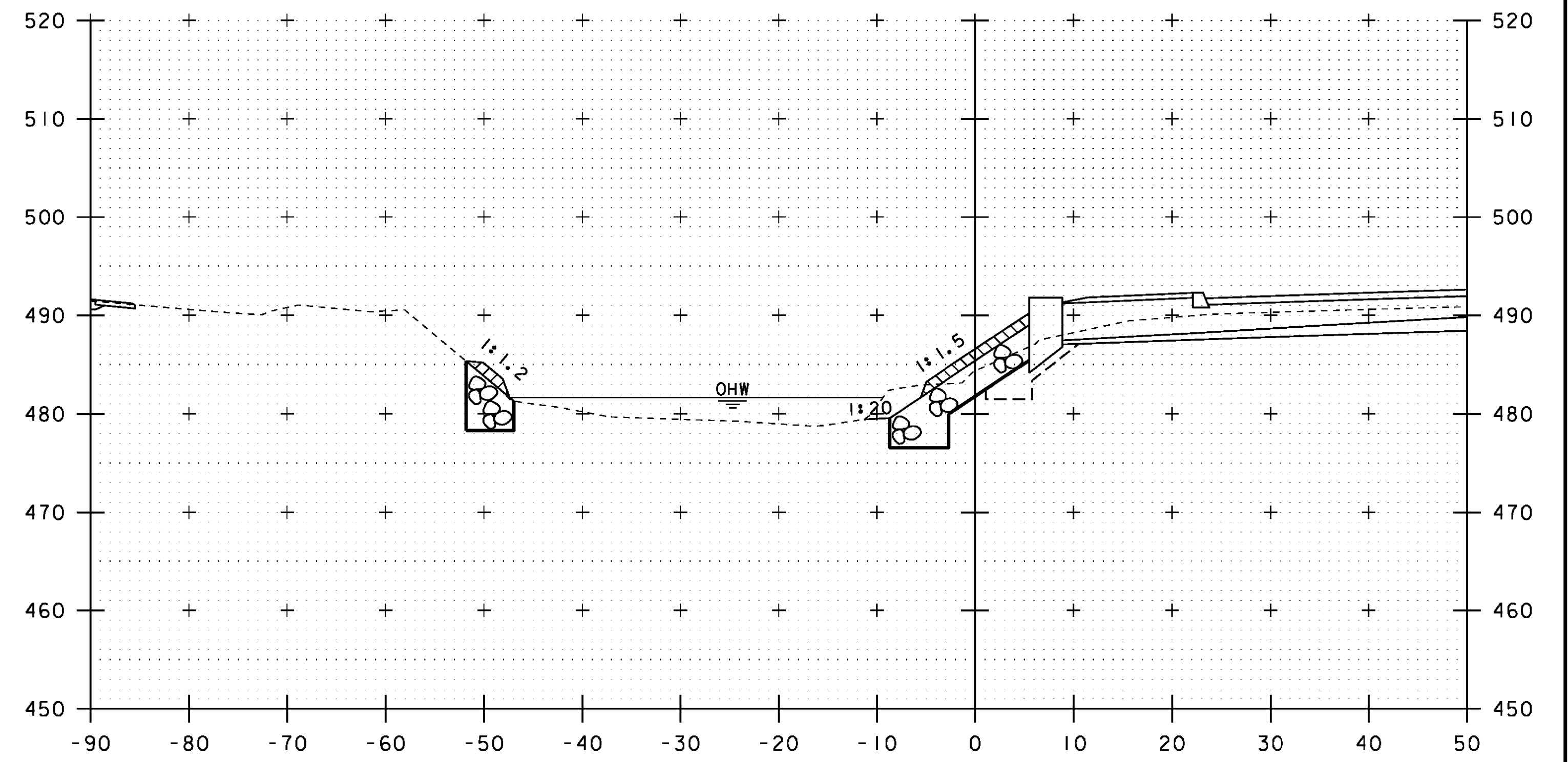
CHANNEL STA ~~21+05.0~~ ^{21+10.0} FAR LT
 END UNCLASSIFIED CHANNEL EXCAVATION
 GEOTEXTILE UNDER STONE FILL
 STONE FILL, TYPE III
 GRUBBING MATERIAL

21+10

CHANNEL STA ~~21+03.0~~ ^{21+10.0} LT
 END STRUCTURE EXCAVATION
 GRANULAR BACKFILL FOR STRUCTURES



20+80



21+00

SCALE: 1" = 10'-0"

STA. 20+80 TO STA. 21+10

PROJECT NAME: JOHNSON	PLOT DATE: 10-JUN-2014
PROJECT NUMBER: BRF 030-2(26)	DRAWN BY: G. ROY
FILE NAME: s88bi93xsl.dgn	CHECKED BY: H. SALLS
PROJECT LEADER: C. CARLSON	SHEET 55 OF 69
DESIGNED BY: H. SALLS	
CHANNEL CROSS SECTIONS (3)	