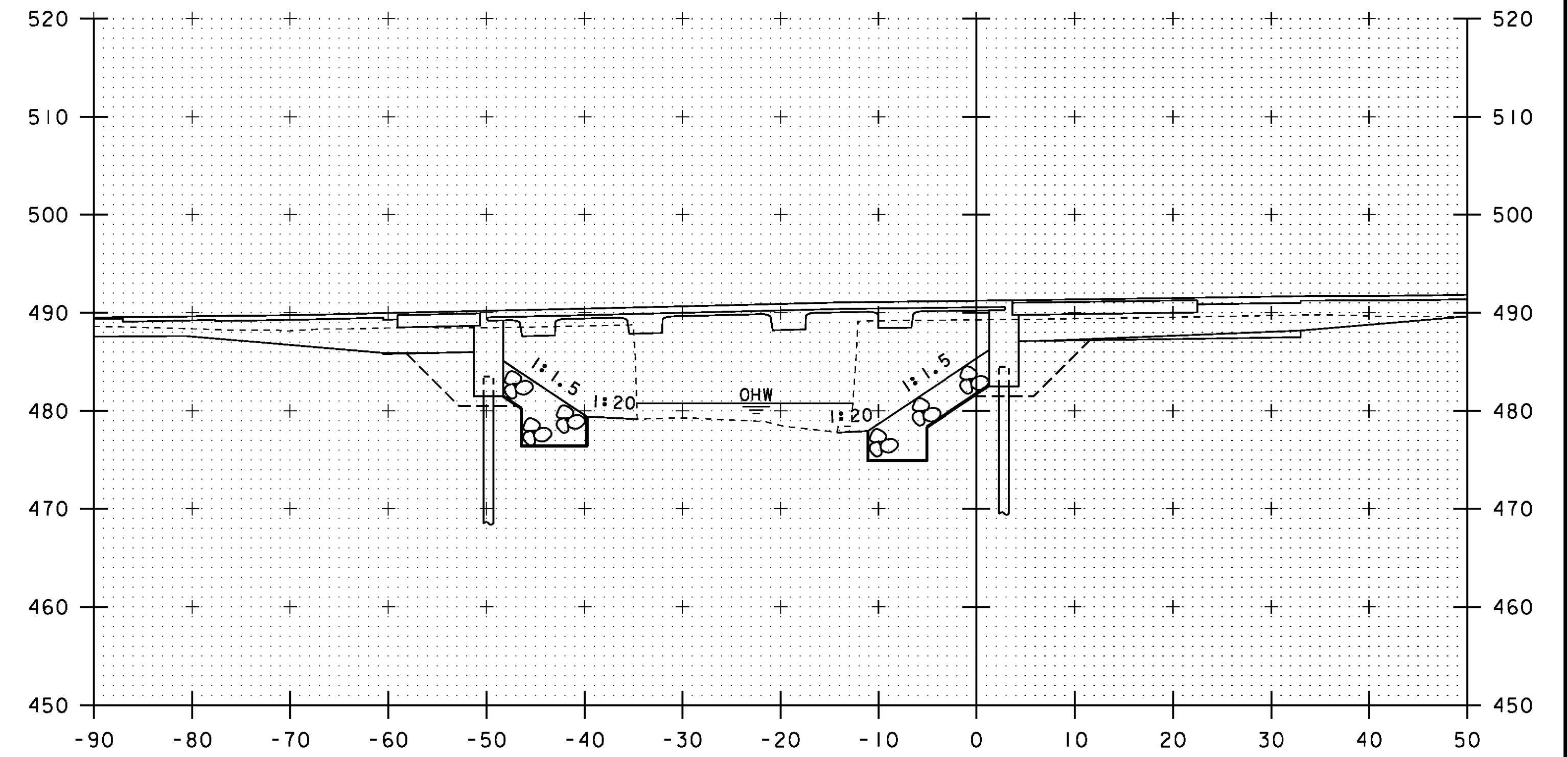
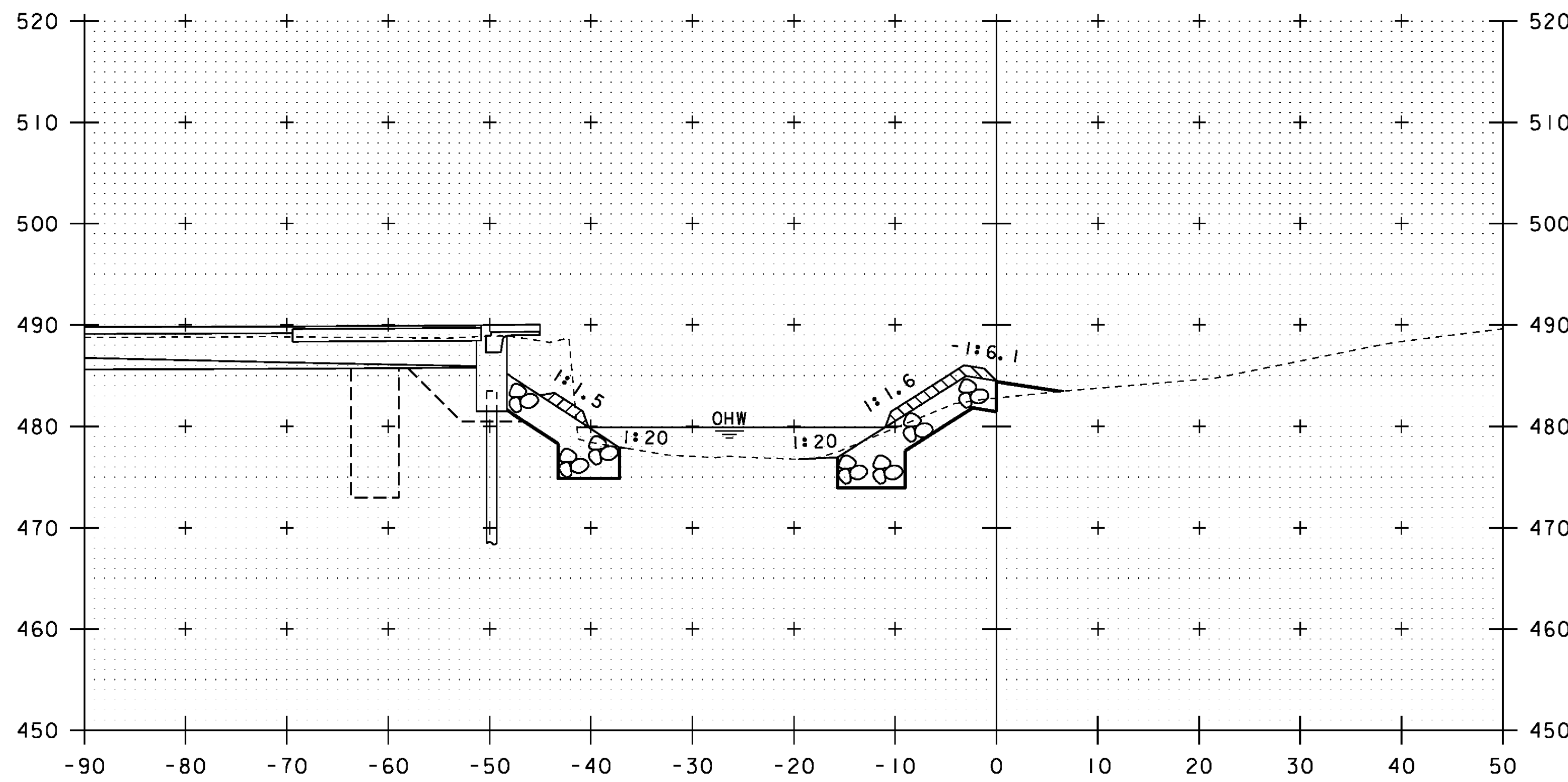


20+50

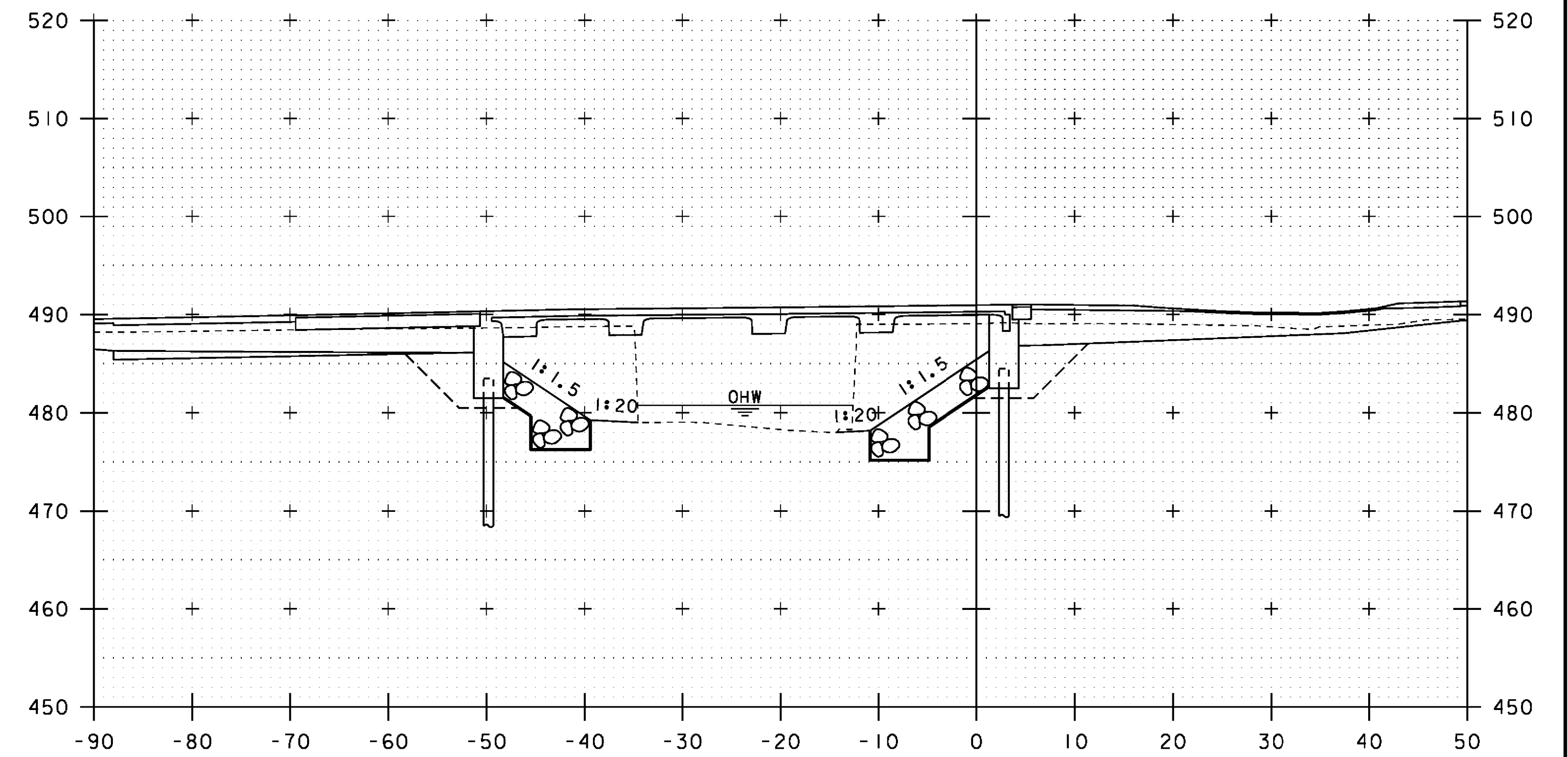
STA 20+50 BEGIN STRUCTURE EXCAVATION, RT



20+70

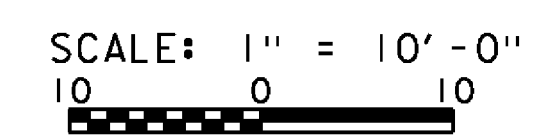


20+40



20+60

CHANNEL STA 20+50.0 LT
 BEGIN STRUCTURE EXCAVATION
 GRANULAR BACKFILL FOR STRUCTURES



STA. 20+40 TO STA. 20+70

PROJECT NAME:	JOHNSON	PLOT DATE:	10-JUN-2014
PROJECT NUMBER:	BRF 030-2(26)	DRAWN BY:	G. ROY
FILE NAME:	s88bi93xsl.dgn	CHECKED BY:	H. SALLS
PROJECT LEADER:	C. CARLSON	SHEET	54 OF 69
DESIGNED BY:	H. SALLS	CHANNEL CROSS SECTIONS (2)	