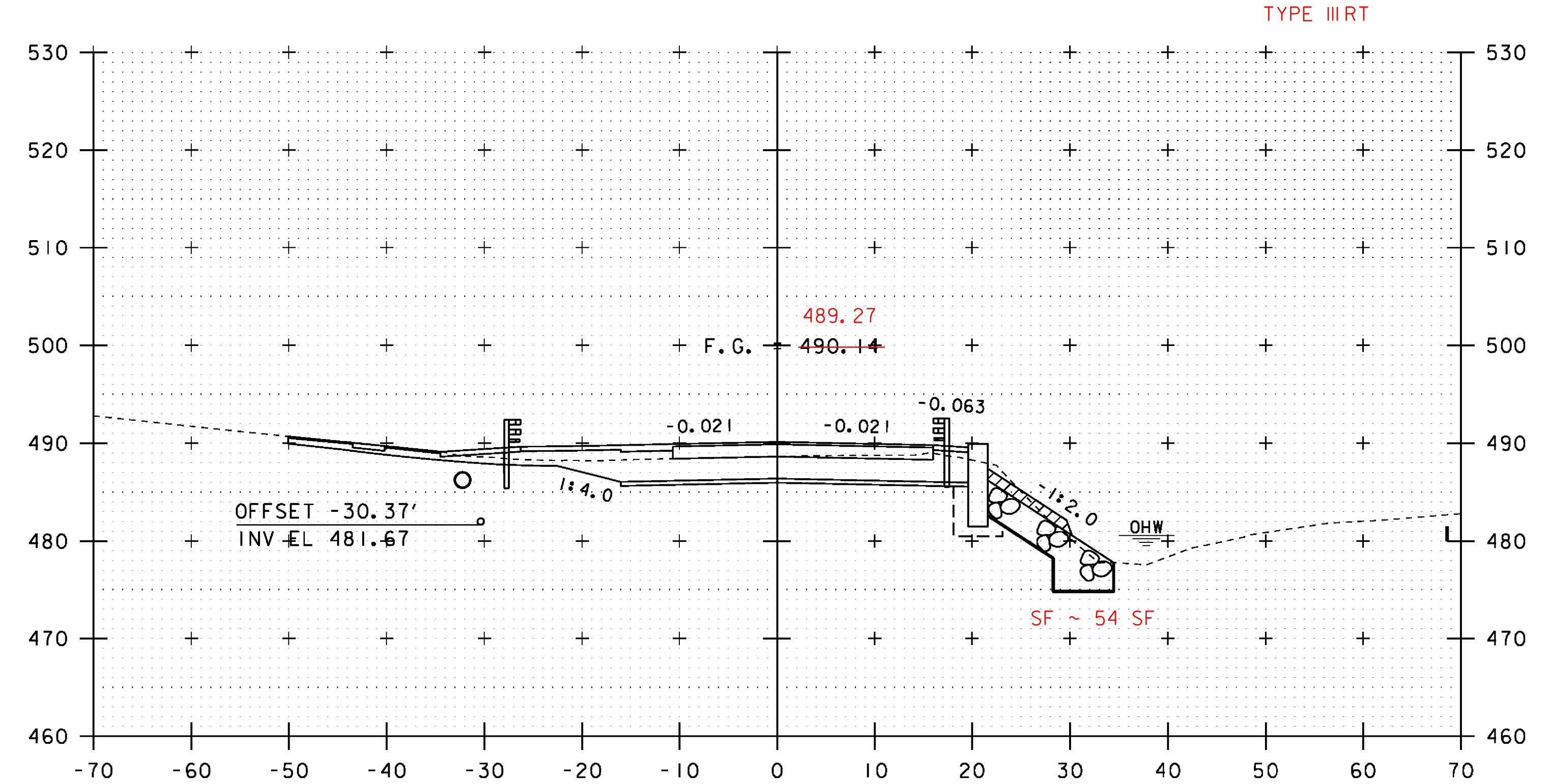
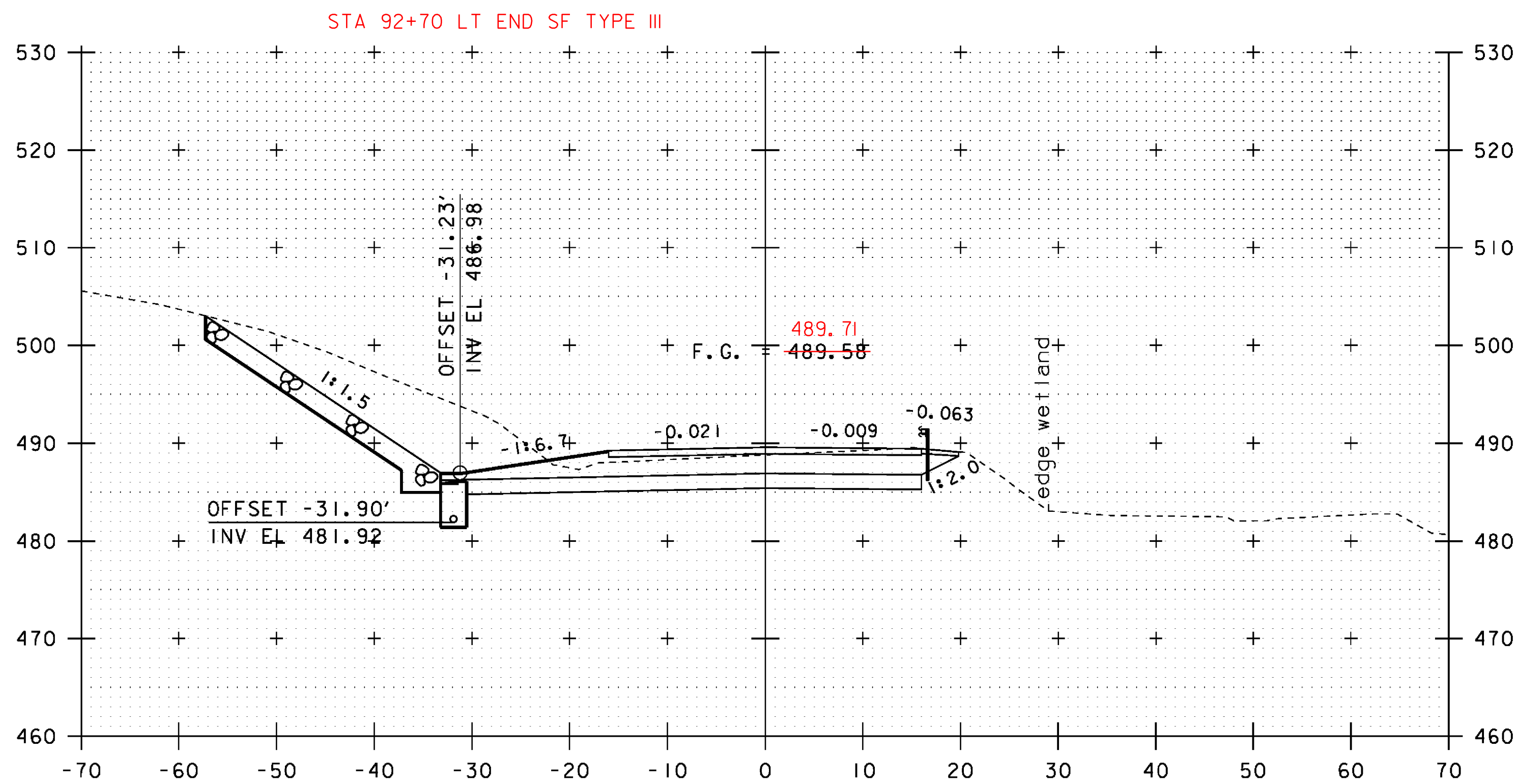


STA 92+58.0 LT - STA 93+34.1 LT
 NEW 8 INCH UNDERDRAIN CARRIER PIPE
 W/ YIELDING MARKER POST AT OUTLET

STA 93+16.11
 STOP ROADWAY
 BEGIN BRIDGE

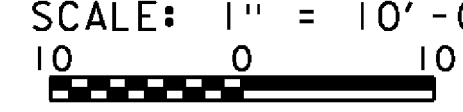


92+50

93+00

PROJECT NAME: JOHNSON
 PROJECT NUMBER: BRF 030-2(26)
 FILE NAME: s88bi93xsl.dgn
 PROJECT LEADER: C. CARLSON
 DESIGNED BY: H. SALLS
 VT 15 CROSS SECTIONS (5)

PLOT DATE: 10-JUN-2014
 DRAWN BY: G. ROY
 CHECKED BY: H. SALLS
 SHEET 46 OF 69

SCALE: 1" = 10'-0"

 STA. 92+50 TO STA. 93+25