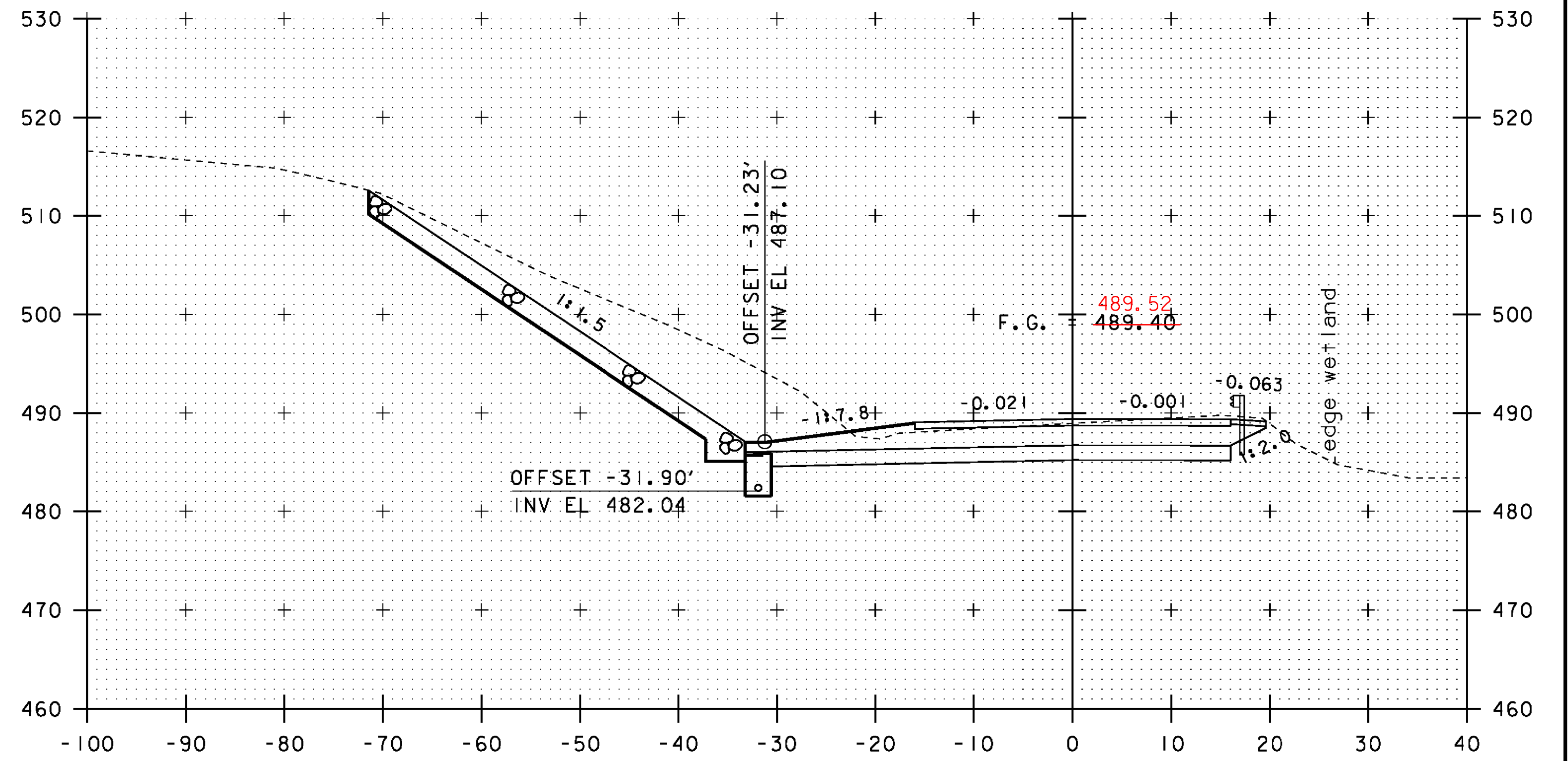
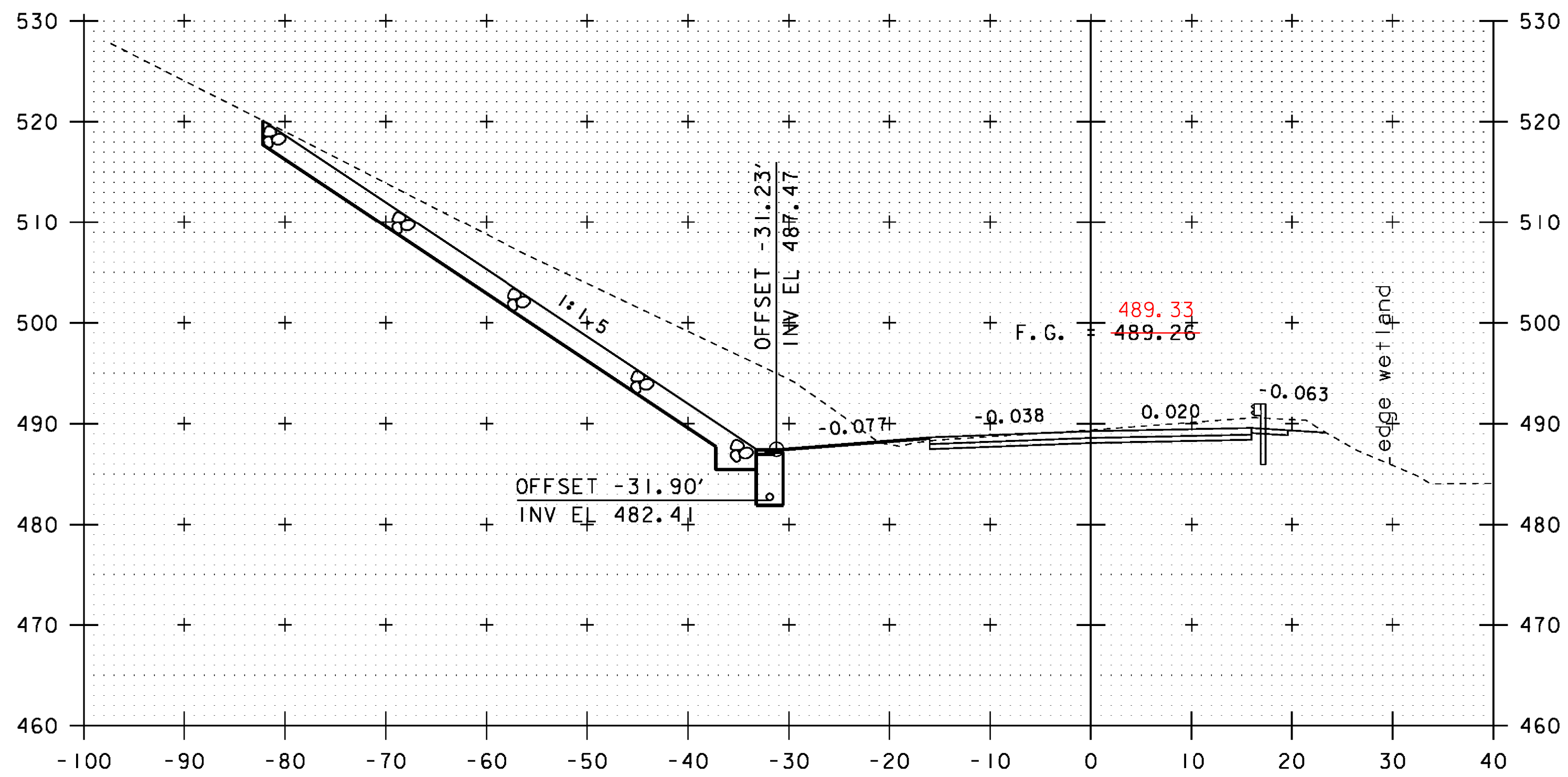


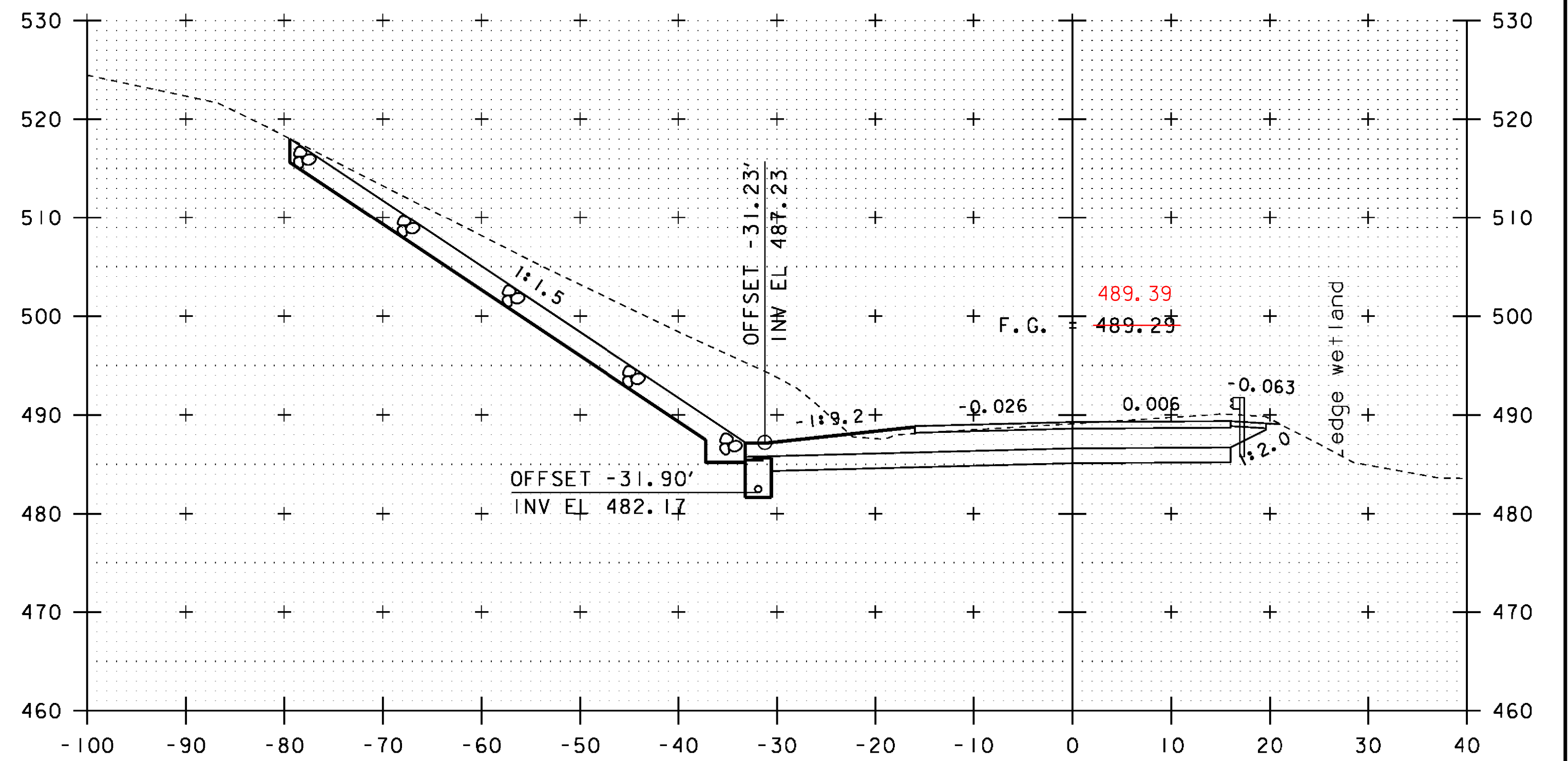
91+75



92+25



91+50



92+00

STA 92+00.00  
END APPROACH  
BEGIN PROJECT

SCALE: 1" = 10'-0"



STA. 91+50 TO STA. 92+25

PROJECT NAME: JOHNSON	PLOT DATE: 10-JUN-2014
PROJECT NUMBER: BRF 030-2(26)	DRAWN BY: G. ROY
FILE NAME: s88bi93xsl.dgn	CHECKED BY: H. SALLS
PROJECT LEADER: C. CARLSON	SHEET 45 OF 69
DESIGNED BY: H. SALLS	
VT 15 CROSS SECTIONS (4)	