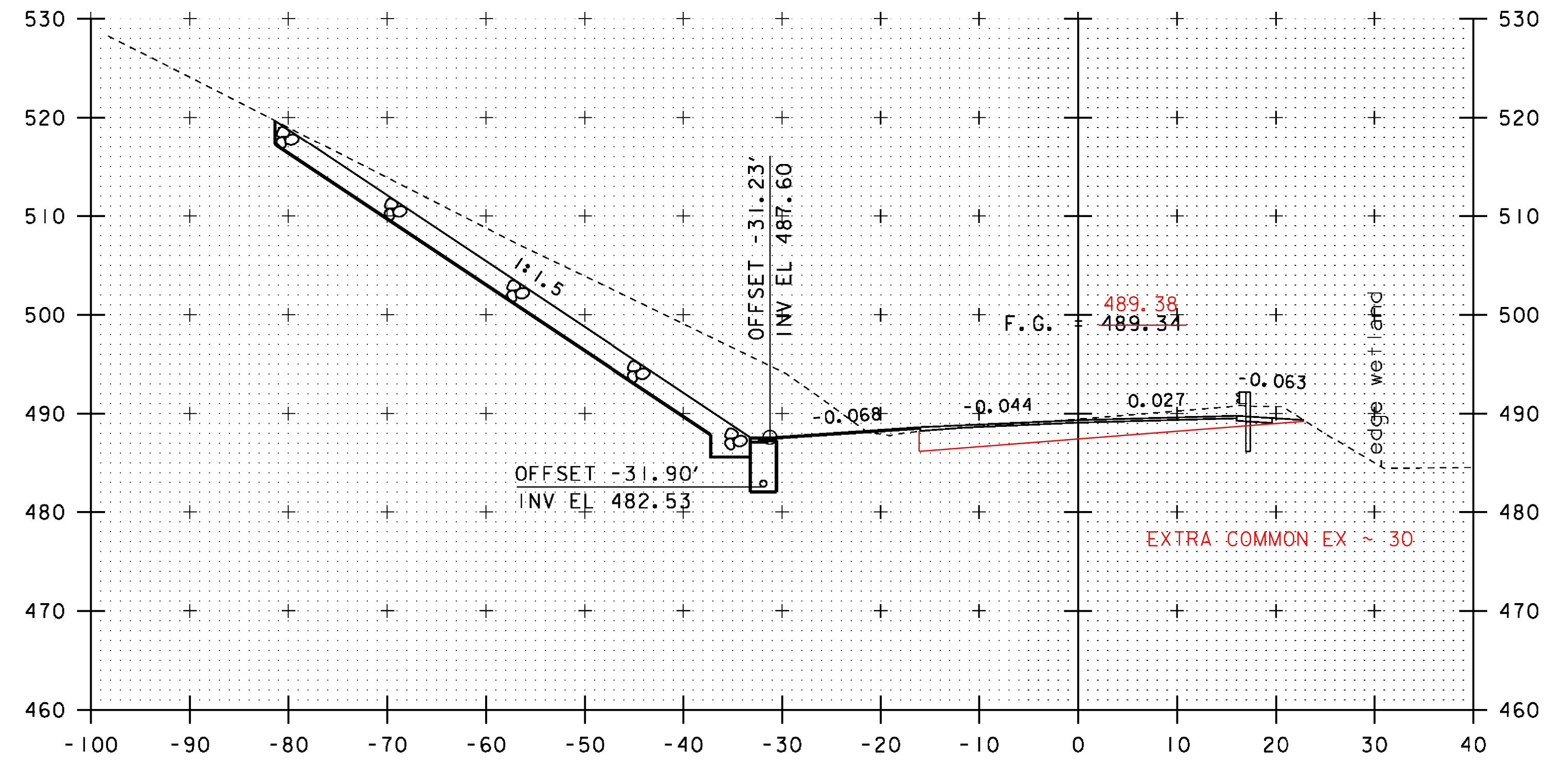
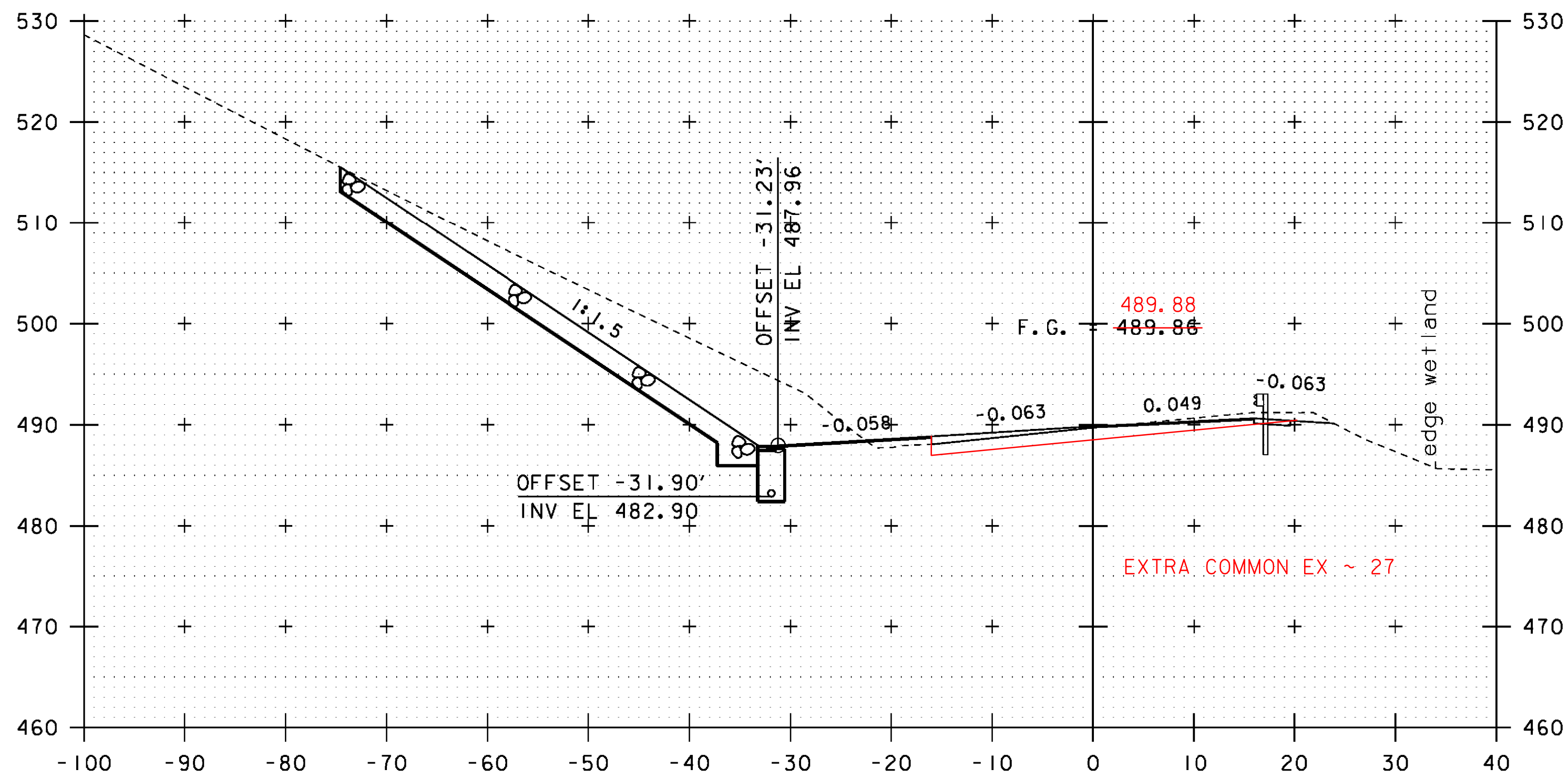


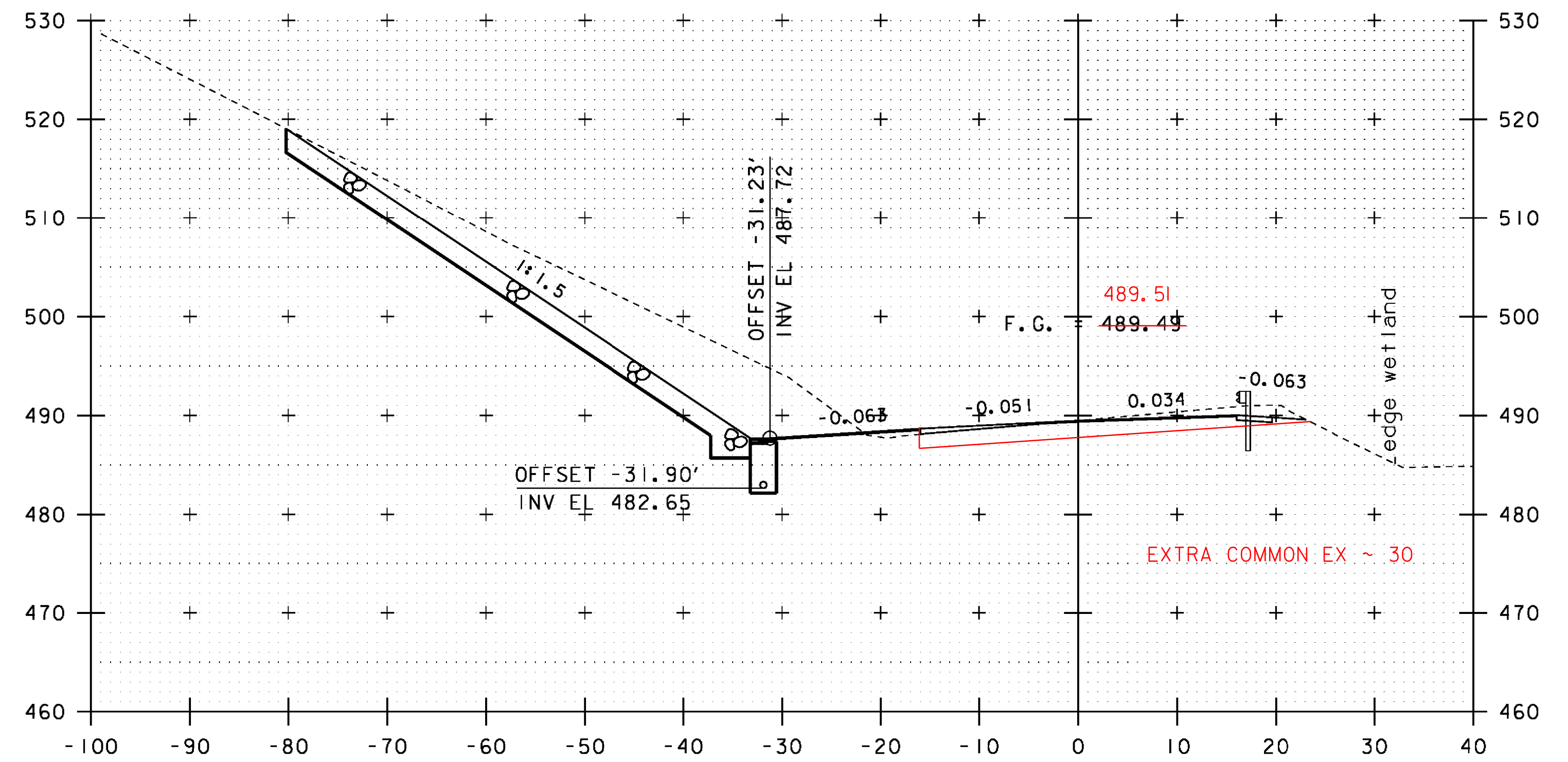
90+75



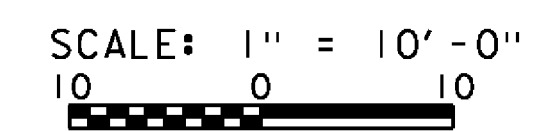
91+25



90+50



91+00



STA. 90+50 TO STA. 91+25

PROJECT NAME: JOHNSON  
PROJECT NUMBER: BRF 030-2(26)

FILE NAME: s88bi93xsl.dgn  
PROJECT LEADER: C. CARLSON  
DESIGNED BY: H. SALLS  
VT 15 CROSS SECTIONS (3)

PLOT DATE: 10-JUN-2014  
DRAWN BY: G. ROY  
CHECKED BY: H. SALLS  
SHEET 44 OF 69