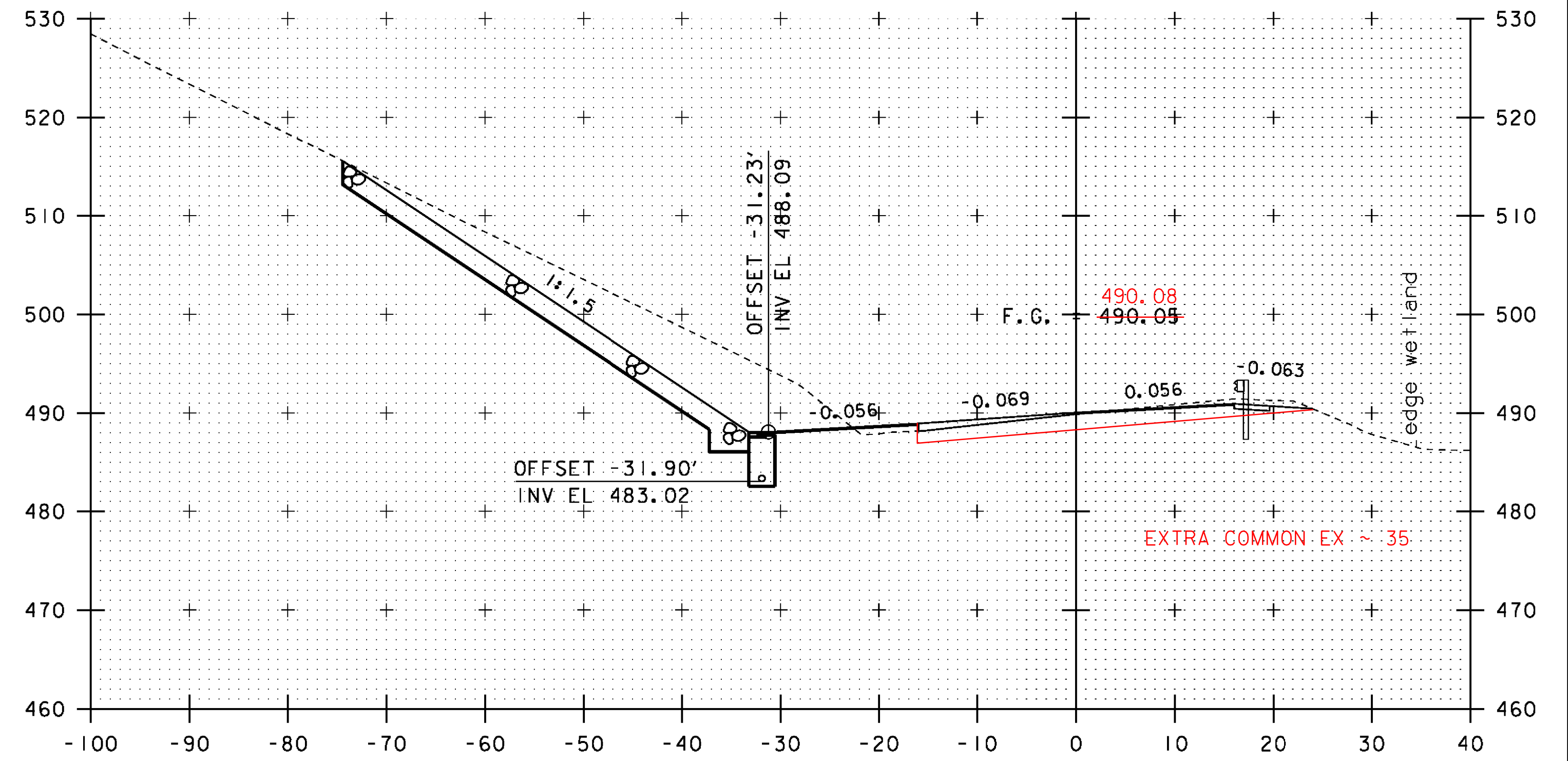
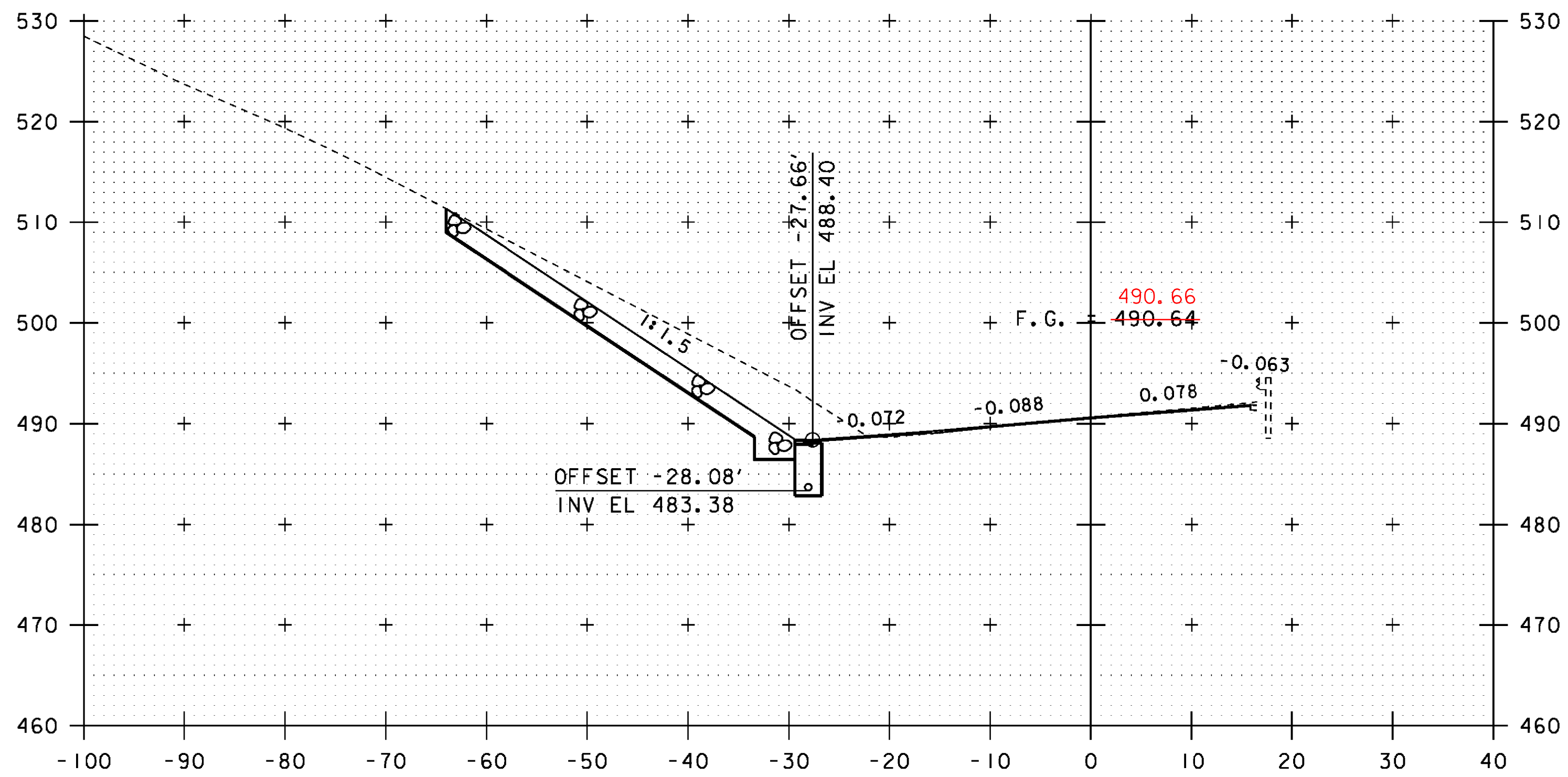


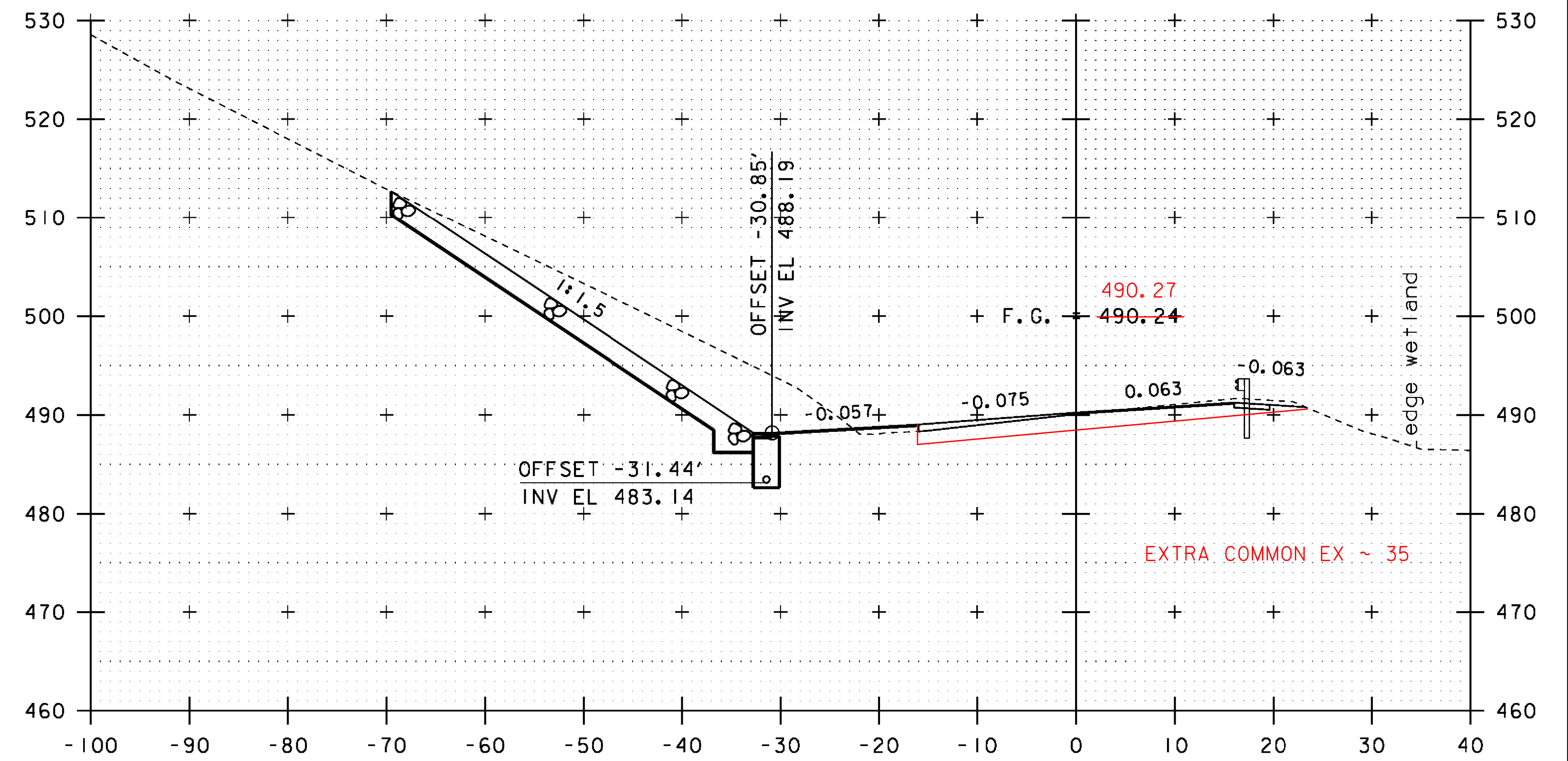
89+75



90+25



89+50



90+00

SCALE: 1" = 10'-0"

STA. 89+50 TO STA. 90+25

PROJECT NAME: JOHNSON
 PROJECT NUMBER: BRF 030-2(26)

FILE NAME: s88bi93xsl.dgn
 PROJECT LEADER: C. CARLSON
 DESIGNED BY: H. SALLS
 VT 15 CROSS SECTIONS (2)

PLOT DATE: 10-JUN-2014
 DRAWN BY: G. ROY
 CHECKED BY: H. SALLS
 SHEET 43 OF 69