

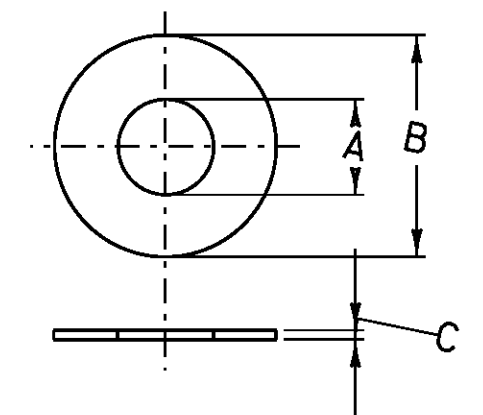
BENT PLATE ANCHOR ANGLE DETAILS

WELDED PLATE ANCHOR ANGLE DETAILS

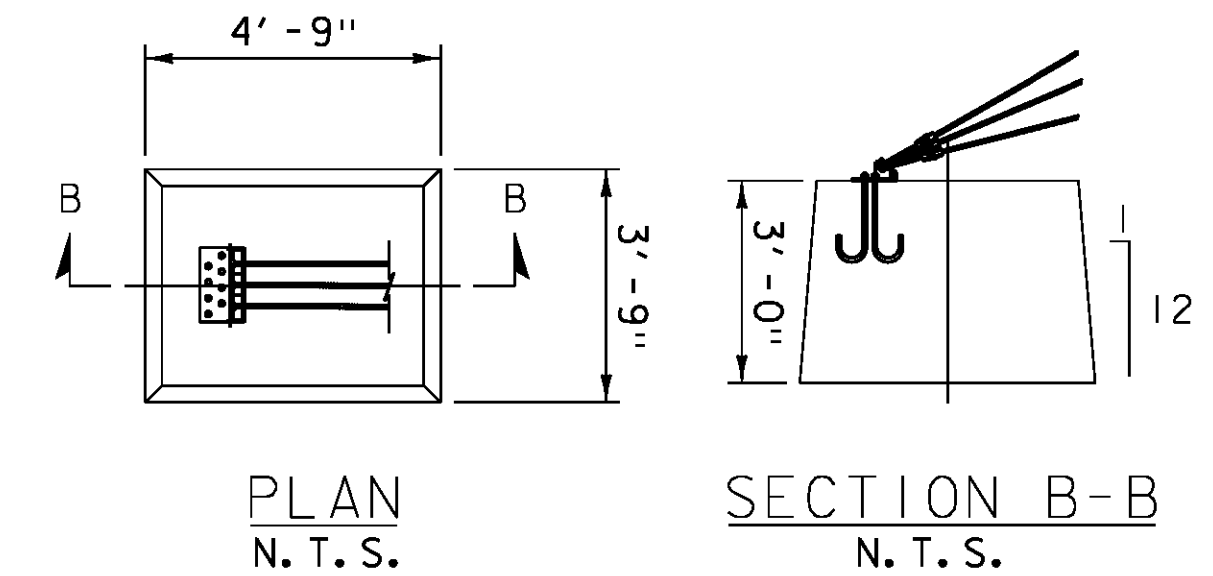
EXTERNAL STIFFENER R ANCHOR ANGLE DETAILS

INTERNAL STIFFENER R ANCHOR ANGLE DETAILS

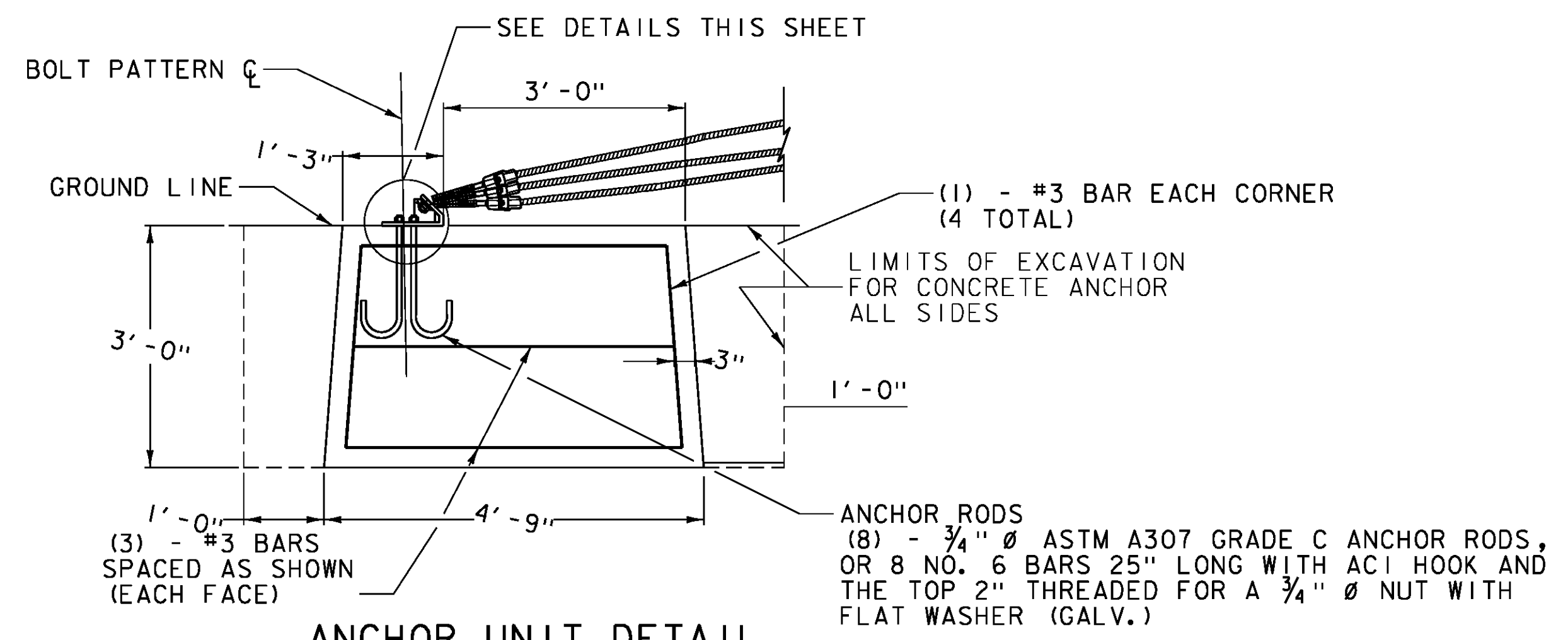
WASHER	WASHER SERIES	INSIDE DIAMETER "A"			OUTSIDE DIAMETER "B"			THICKNESS "C"		
		BASIC	TOLERANCE		BASIC	TOLERANCE		BASIC	MAX.	MIN.
			PLUS	MINUS		PLUS	MINUS			
3/4"	REGULAR	0.812	0.030	0.007	1.469	0.030	0.007	0.134	0.160	0.108
	WIDE	0.812	0.030	0.007	2.000	0.030	0.007	0.165	0.192	0.136
1/2"	NARROW	0.531	0.015	0.005	1.062	0.030	0.007	0.095	0.121	0.074



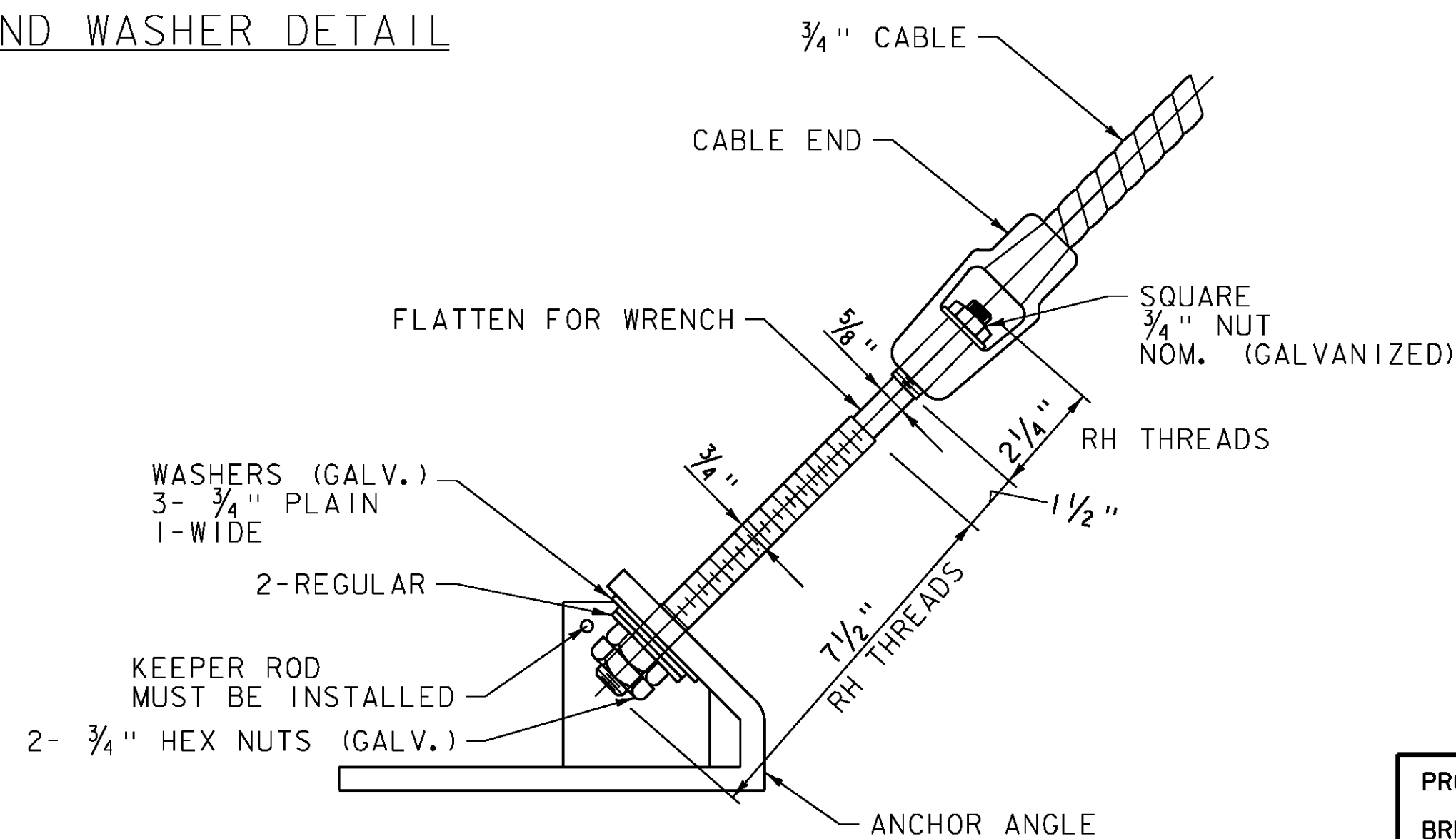
WASHER TABLE AND WASHER DETAIL



CONCRETE ANCHOR



ANCHOR UNIT DETAIL



CABLE END ASSEMBLY TO ANCHOR ANGLE DETAILS

THE CONCRETE ANCHOR SHALL BE SET INTO THE EXCAVATION AS DETAILED. THE BOTTOM OF THE ANCHOR SHALL HAVE A FULL EVEN BEARING ON THE SURFACE UNDER IT.

PROJECT NAME: JOHNSON  
 BRF 030-2(26): BRF 030-2(26)

FILE NAME: s88bl93rall.dgn  
 PROJECT LEADER: C. CARLSON  
 DESIGNED BY: H. SALLS  
 GUARDRAIL TRANSITION DETAILS (2)

PLOT DATE: 10-JUN-2014  
 DRAWN BY: G. ROKES  
 CHECKED BY: H. SALLS  
 SHEET 40 OF 69