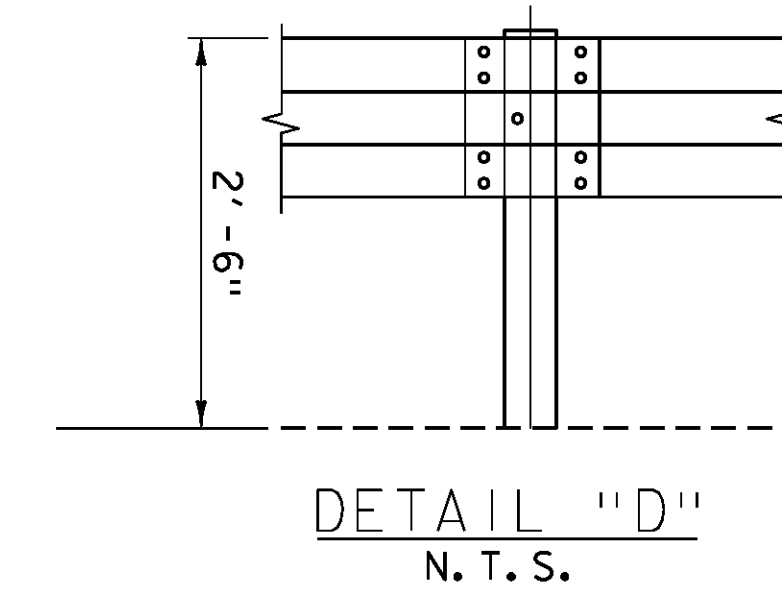
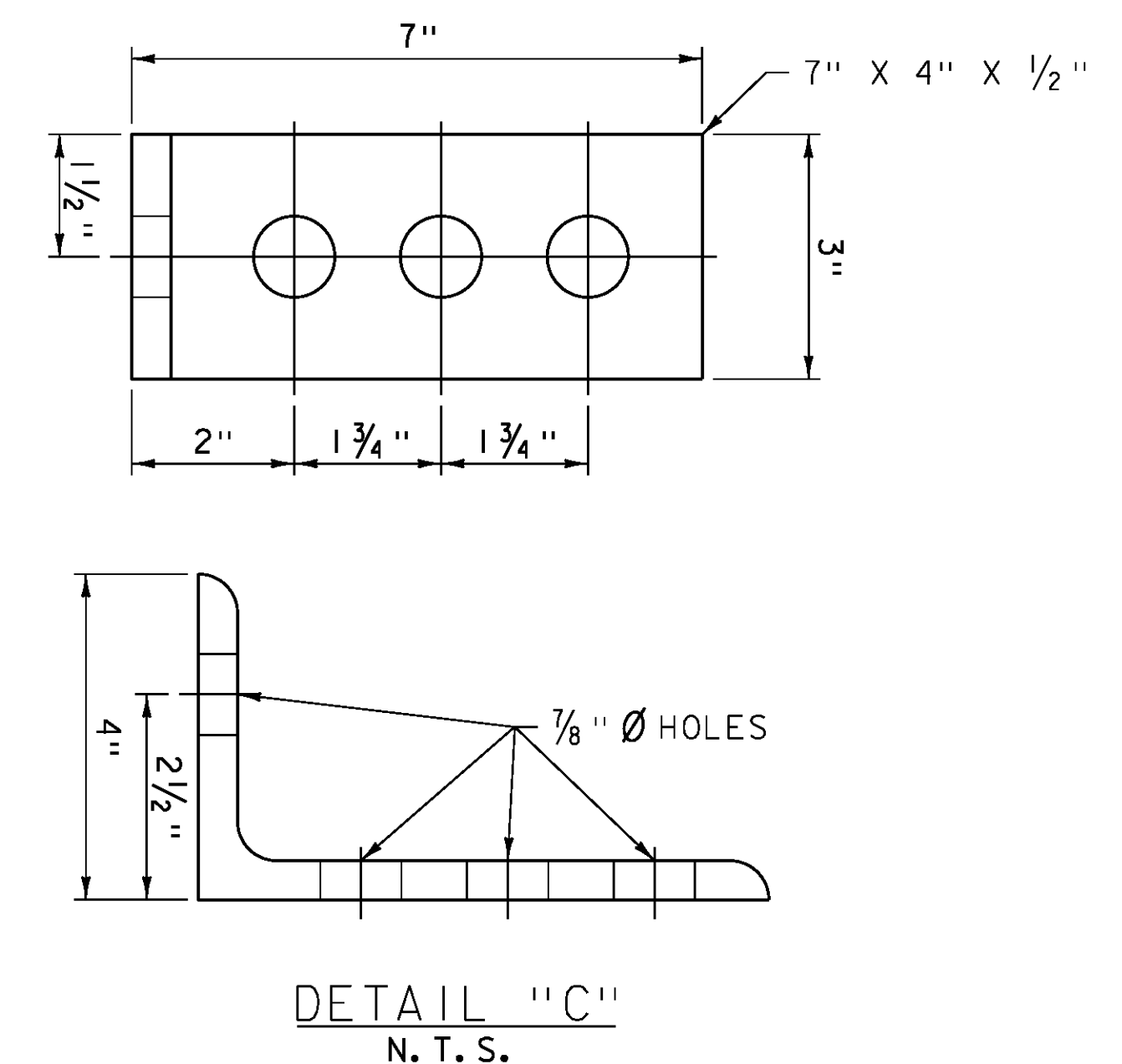
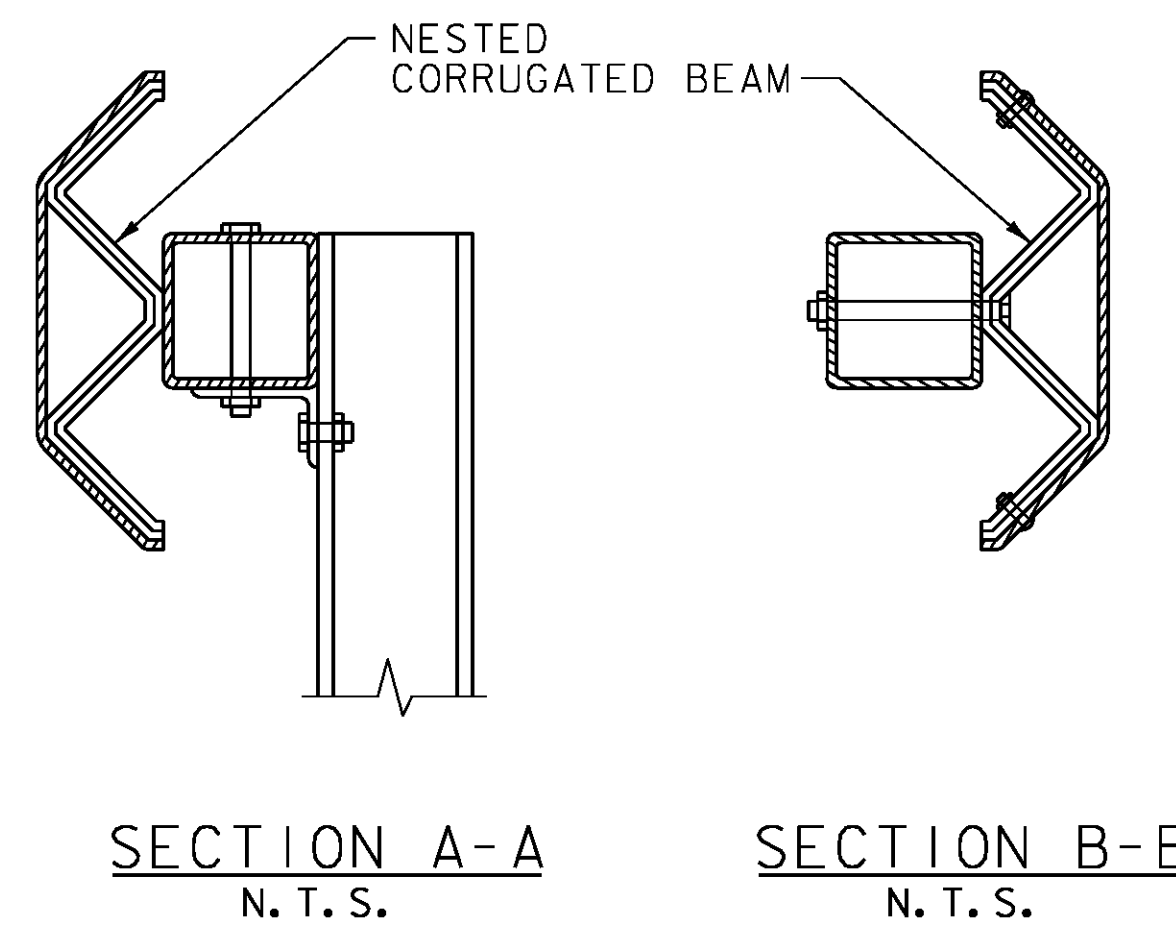
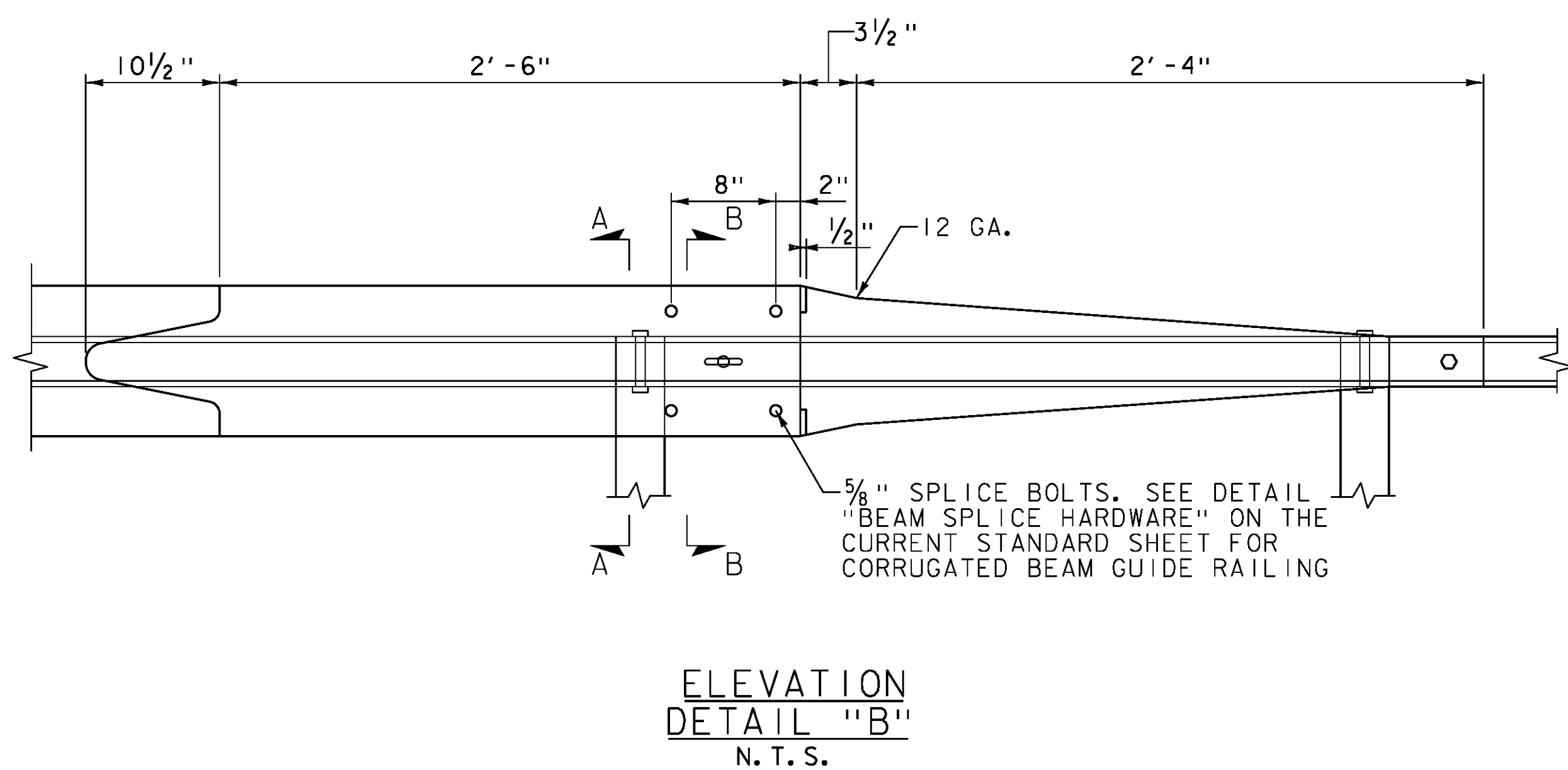
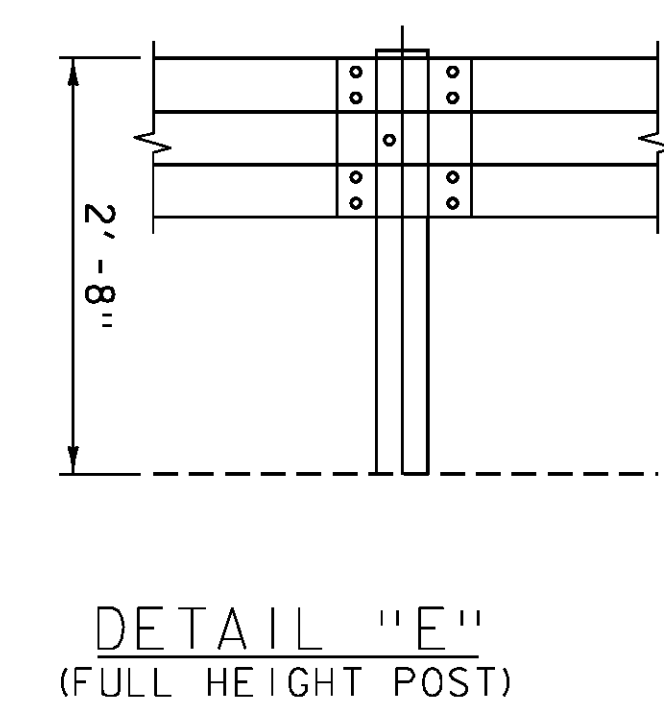
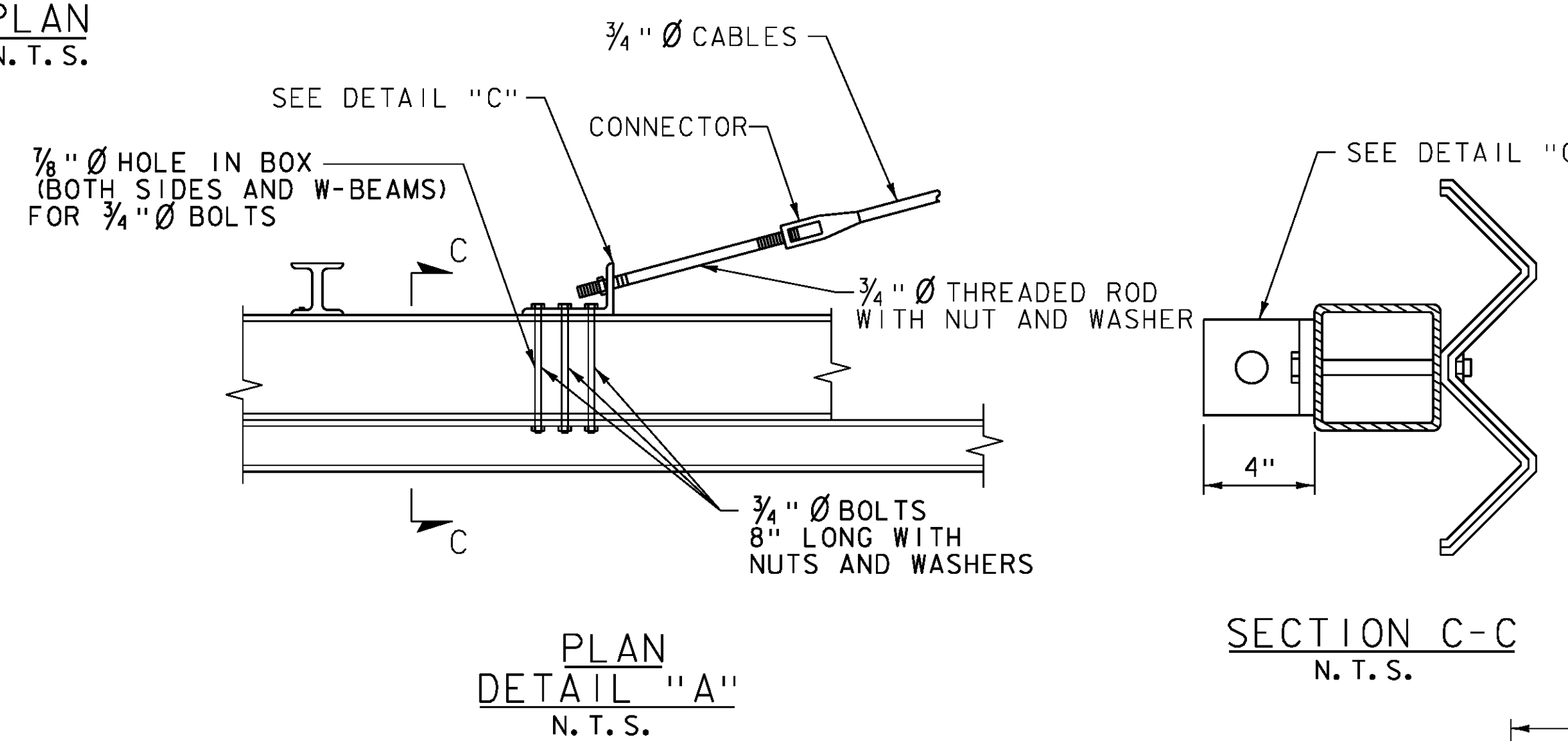
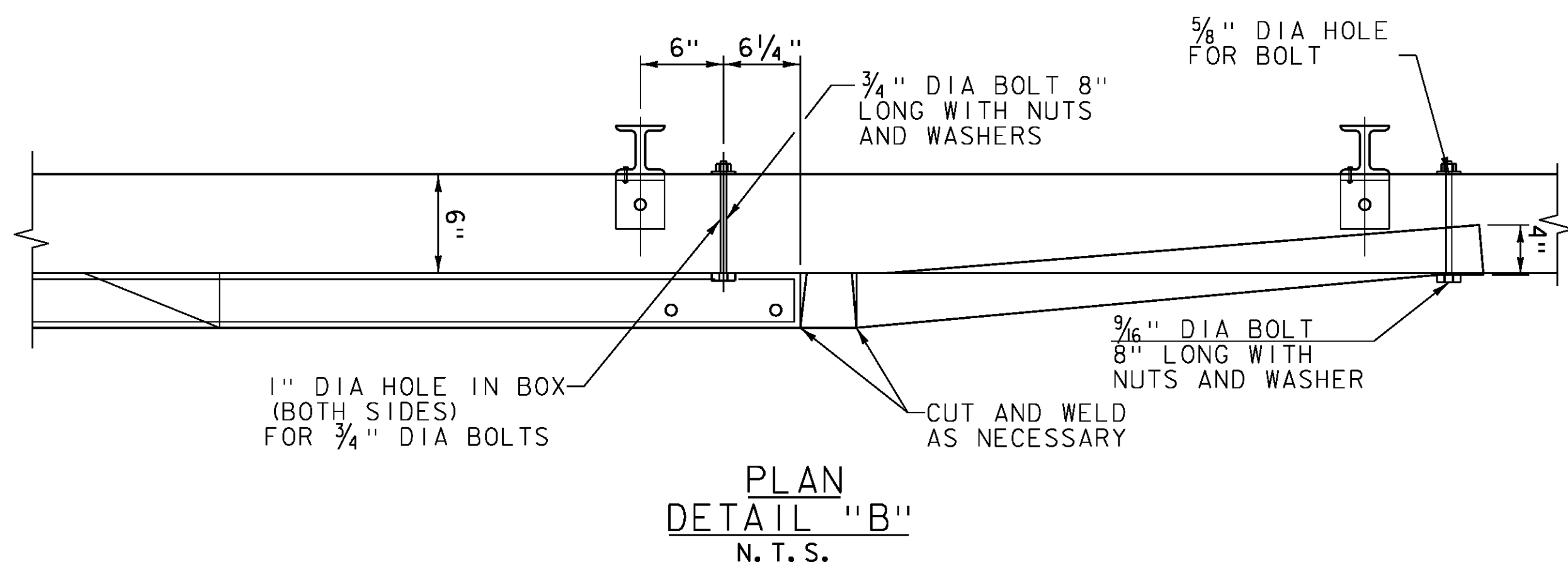


NOTE:
SEE BRIDGE APPROACH PLANS
WHEN TRANSITION IS USED
ADJACENT TO STRUCTURE



TYPICAL ANCHOR FOR STEEL TO BOX BEAM TRANSITION. SEE DETAILS IN "GUARDRAIL TRANSITION DETAILS" (2 OF 2). SPRING COMPENSATORS ARE NOT REQUIRED AT THIS LOCATION.

PLAN
N. T. S.



PROJECT NAME:	JOHNSON	PLOT DATE:	10-JUN-2014
BRF 030-2(26):	BRF 030-2(26)	PROJECT LEADER:	C. CARLSON
DESIGNED BY:	H. SALLS	DRAWN BY:	G. ROKES
GUARDRAIL TRANSITION DETAILS (1)		CHECKED BY:	H. SALLS
		SHEET	39 OF 69