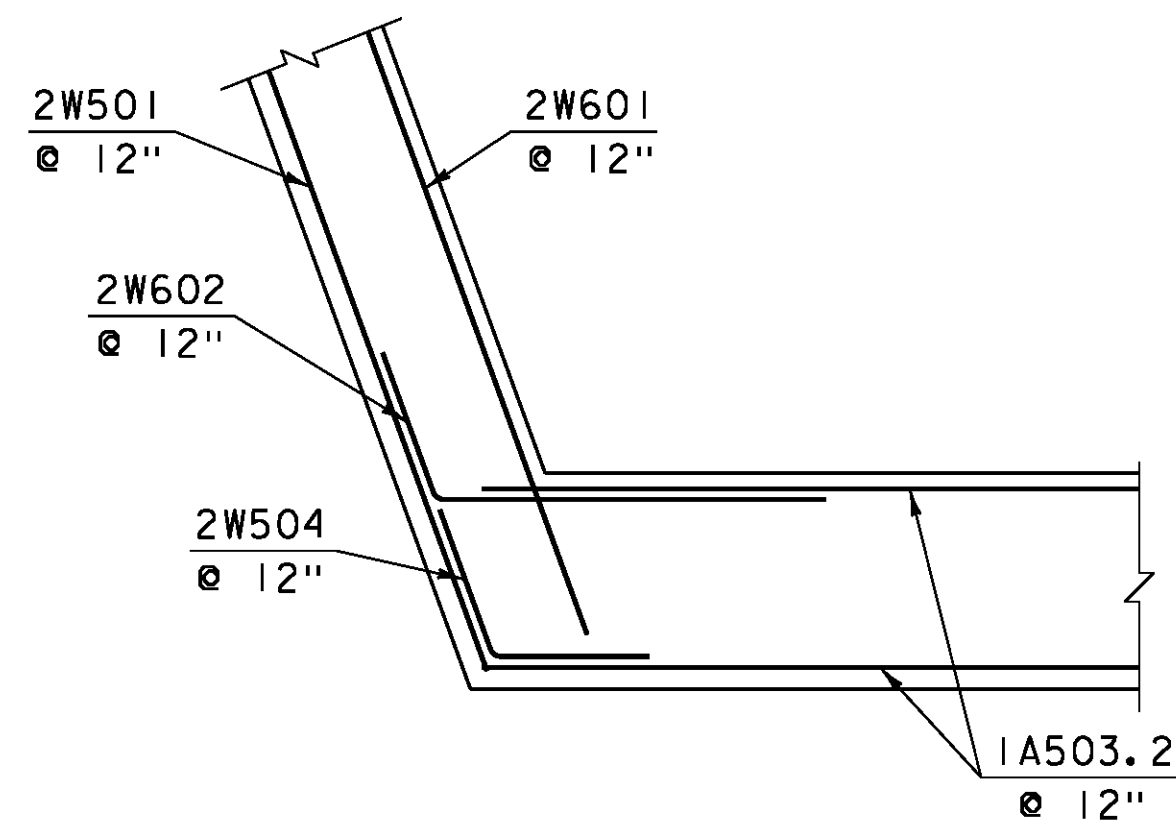


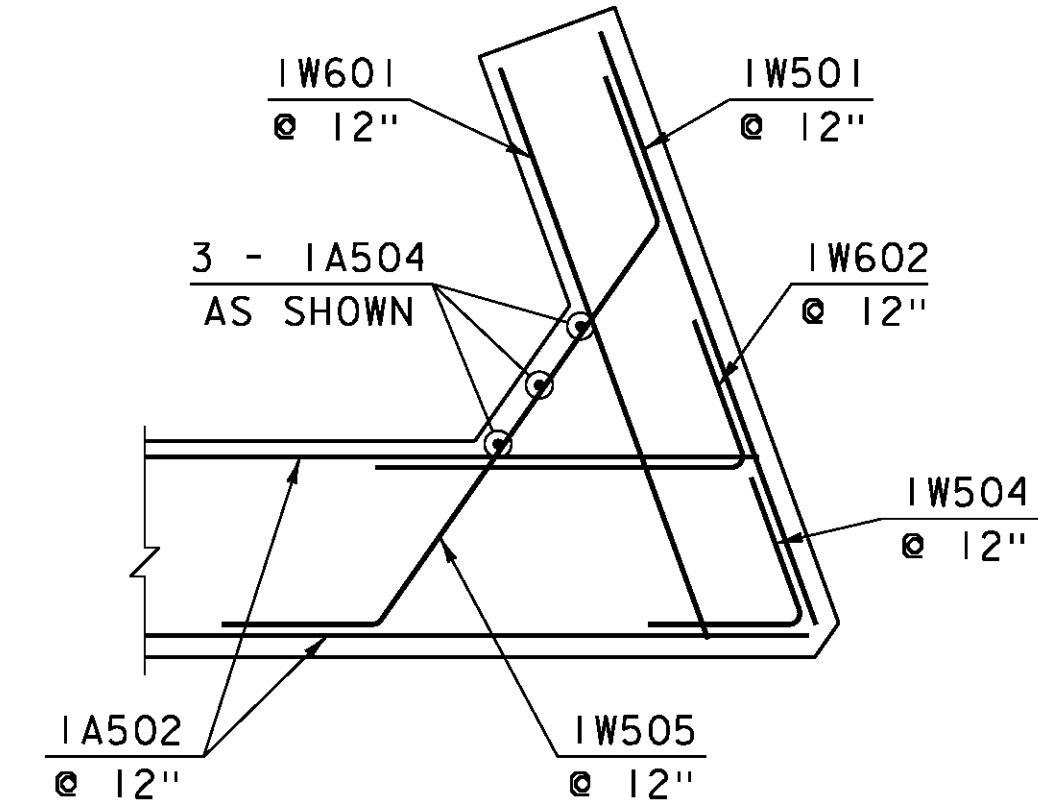
**WINGWALL NO. 2 CORNER  
REINFORCING BELOW  
CONSTRUCTION JOINT**

SCALE: 3/8" = 1'-0"  
(WINGWALL 3 SIMILAR)



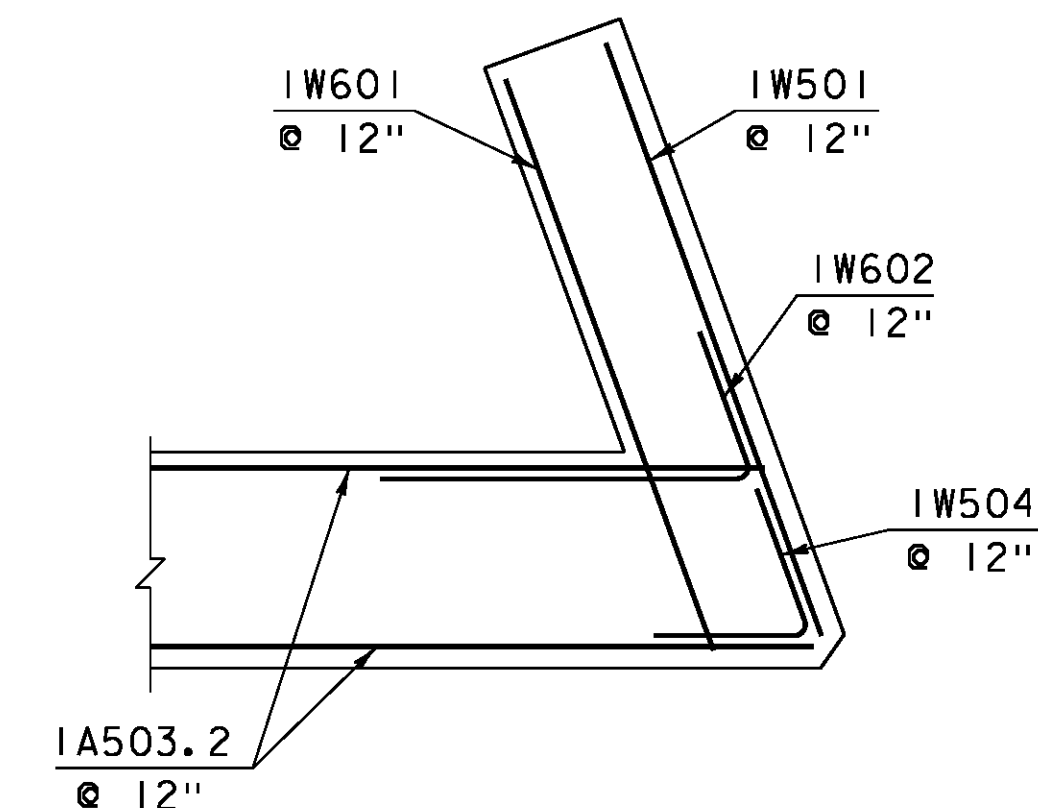
**WINGWALL NO. 2 CORNER  
REINFORCING ABOVE  
CONSTRUCTION JOINT**

SCALE: 3/8" = 1'-0"  
(WINGWALL 3 SIMILAR)



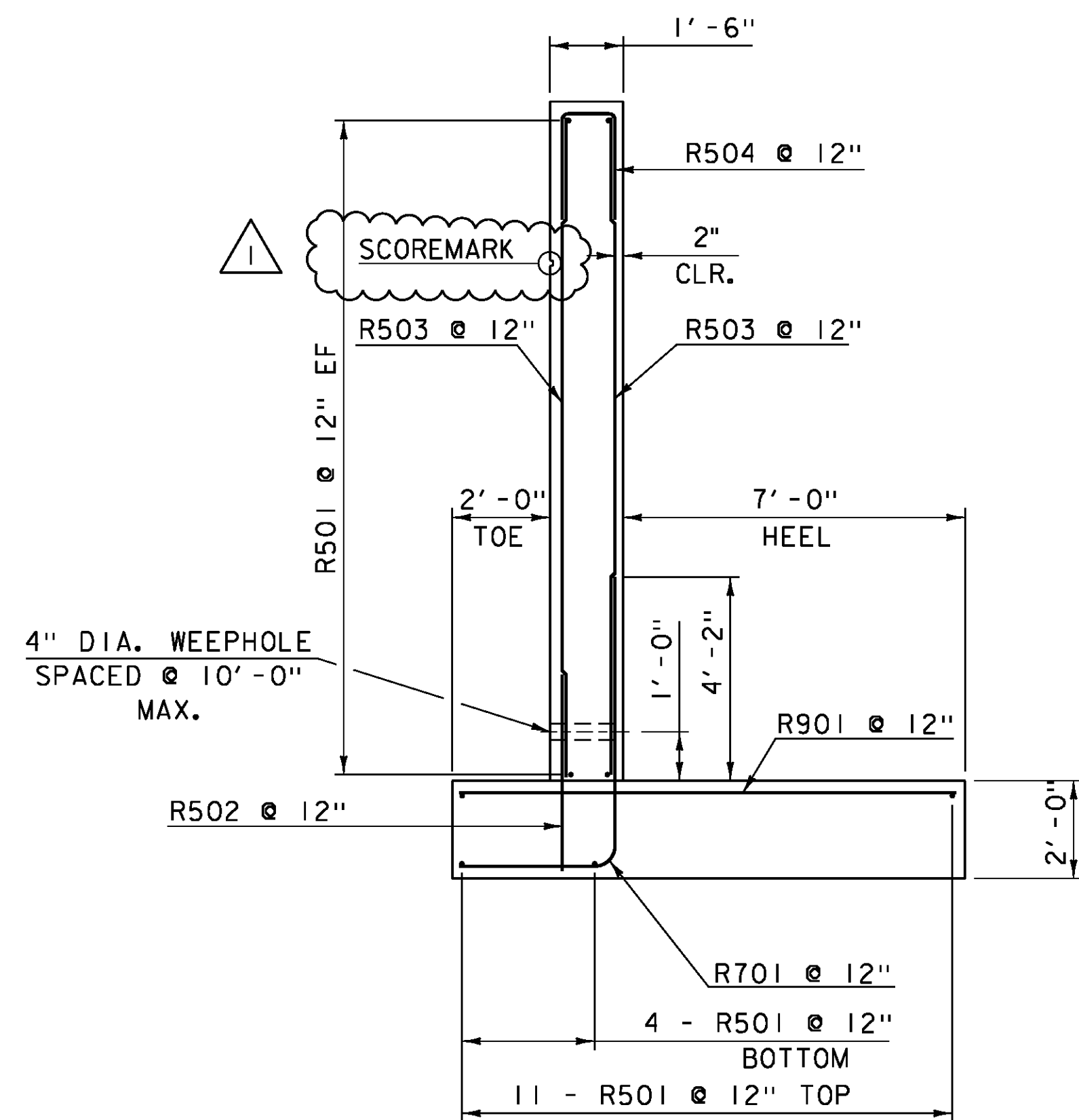
**WINGWALL NO. 1 CORNER  
REINFORCING BELOW  
CONSTRUCTION JOINT**

SCALE: 3/8" = 1'-0"  
(WINGWALL 4 SIMILAR)

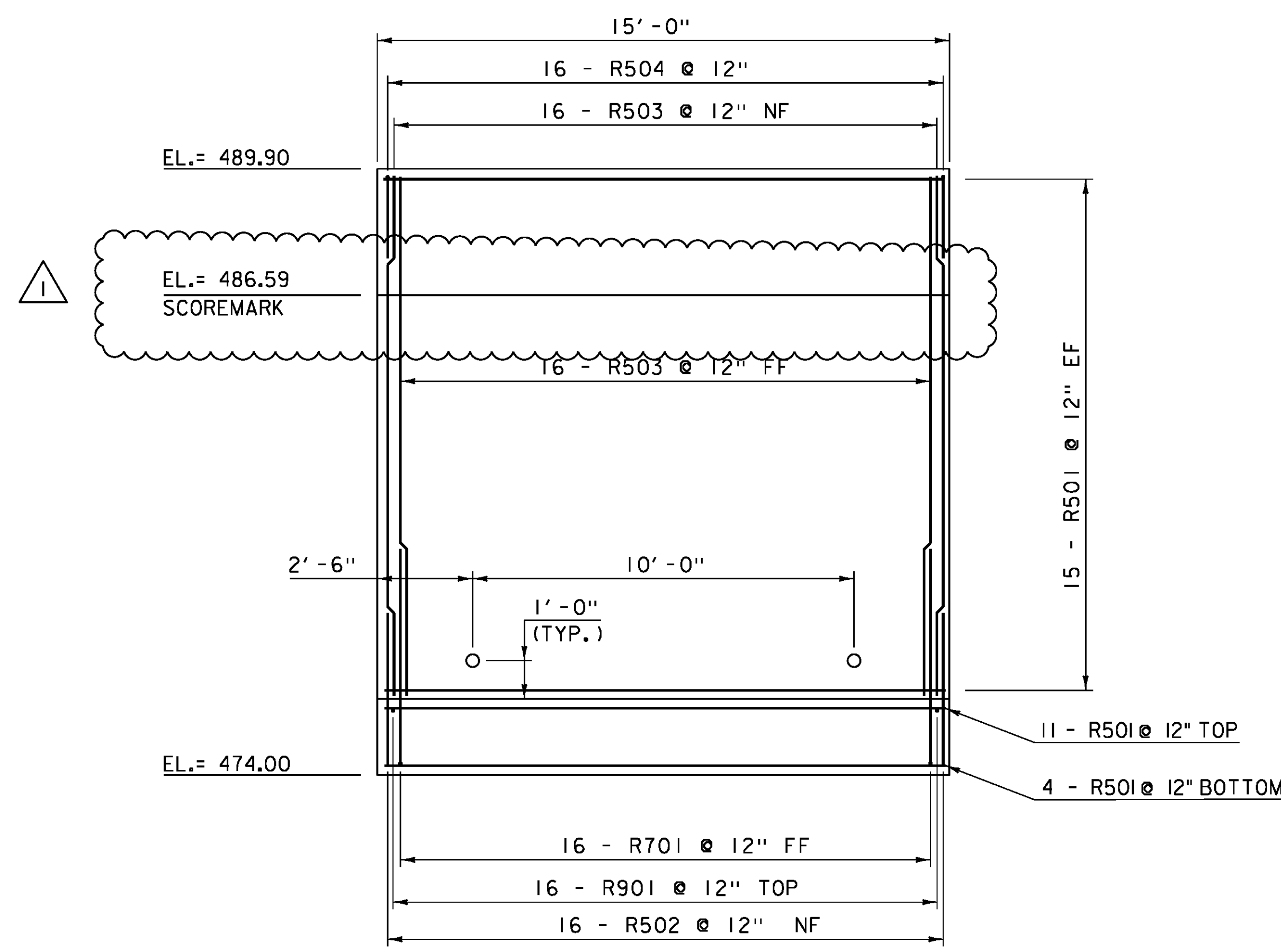


**WINGWALL NO. 1 CORNER  
REINFORCING ABOVE  
CONSTRUCTION JOINT**

SCALE: 3/8" = 1'-0"  
(WINGWALL 4 SIMILAR)



**RETAINING WALL TYPICAL**  
SCALE: 3/8" = 1'-0"



**RETAINING WALL ELEVATION**  
SCALE: 3/8" = 1'-0"

| REVISION | DATE        | DESCRIPTION   | BY  |
|----------|-------------|---|-----|
| 1        | OCT-28-2014 | ADD 3" PAYMENT, LOWER BRIDGE SEAT, ADD 3" CONCRETE PEDESTAL | GNR |

NOTE: 1/2" EXPANSION MATERIAL SHALL BE PLACED BETWEEN WINGWALL #2 AND THE RETAINING WALL. IN ADDITION, 2 LAYERS OF GEOTEXTILE FABRIC SHALL BE PLACED OVER THE JOINT ON THE BACK (EARTH) SIDE.

**NOTE:**  
NF = NEAR FACE  
FF = FAR FACE  
EF = EACH FACE  
▲ = CUT TO FIT IN FIELD  
3" CLEAR, UNLESS OTHERWISE SPECIFIED ON THE PLANS.  
2'-2" BAR LAP UNLESS OTHERWISE SPECIFIED ON THE PLANS.

|  |                |
|--|----------------|
| PROJECT NAME:                                      | JOHNSON        |
| PROJECT NUMBER:                                    | BRF 030-2(26)  |
| FILE NAME:   | s88bl93sub.dgn |
| PROJECT LEADER:                                    | C. CARLSON     |
| DESIGNED BY:                                       | H. SALLS       |
| RETAINING WALL ELEVATION AND TYPICAL SECTION SHEET | 37 OF 69       |
| PLOT DATE:   | 05-NOV-2014    |
| DRAWN BY:  | G. ROKES       |
| CHECKED BY:  | H. SALLS       |